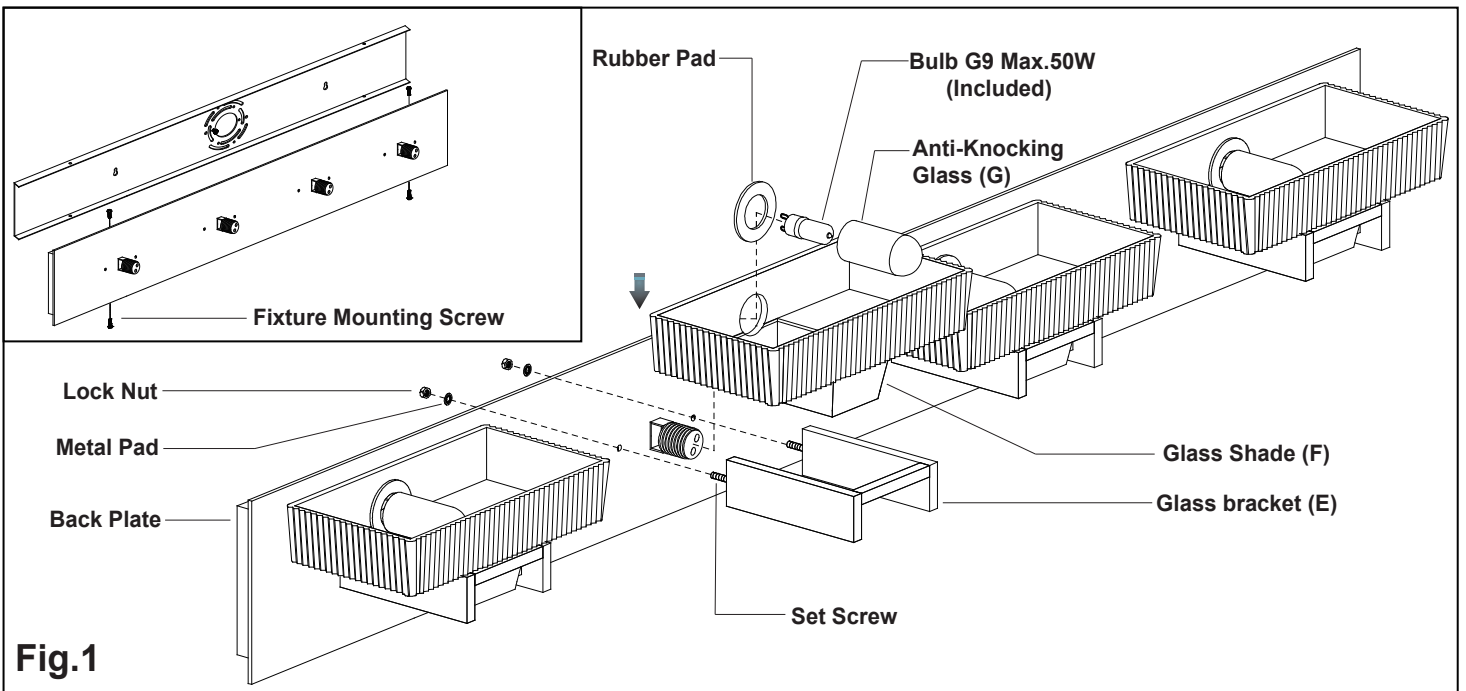
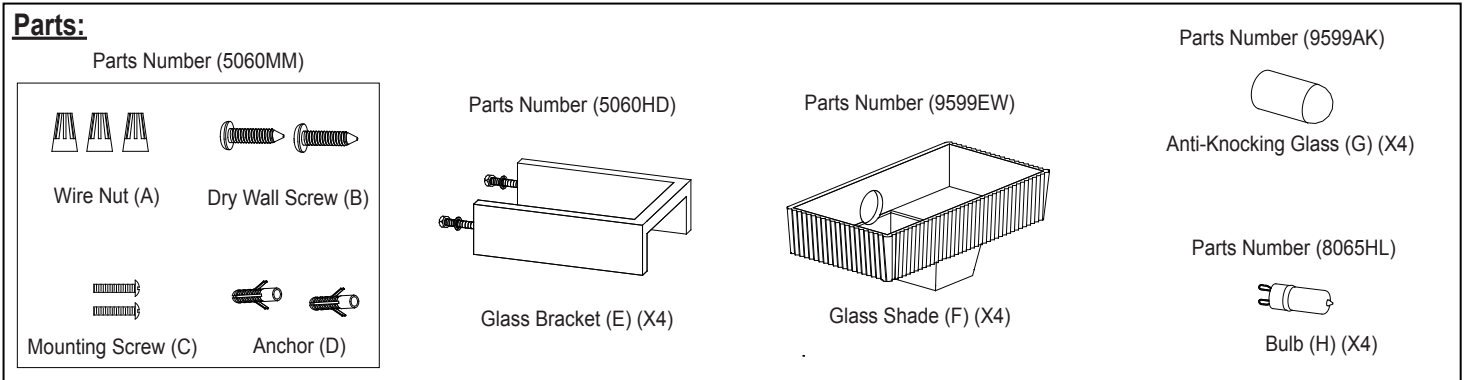


# ASSEMBLY AND INSTALLATION INSTRUCTIONS

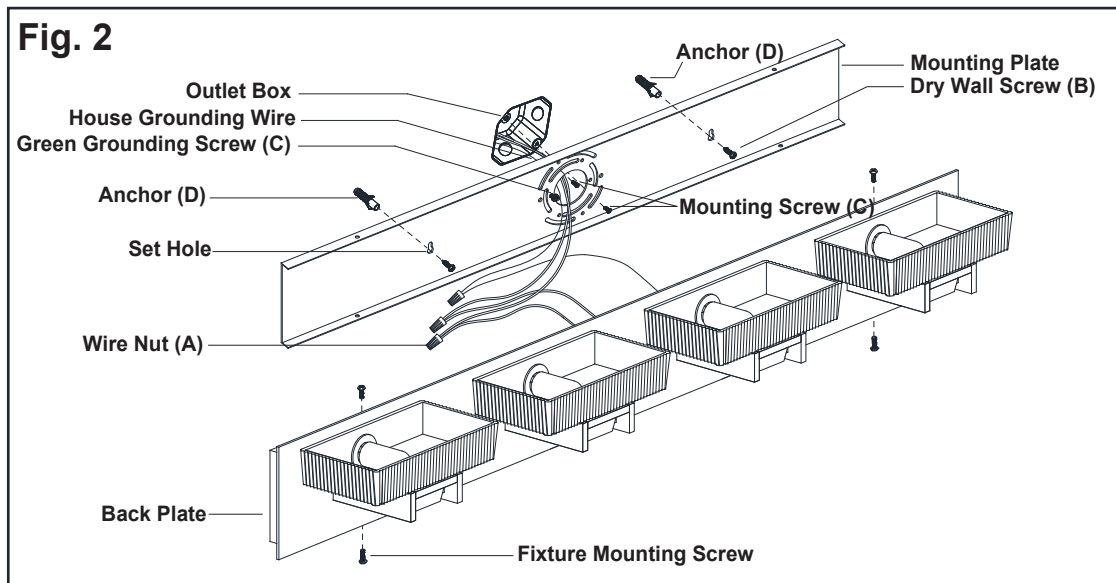
W0082

**WARNING: Turn off the main power at circuit breaker before installing fixture.**  
**AVERTISSEMENT: Coupez la source d'alimentation principale au panneau central de disjoncteurs avant d'installer le luminaire.**

**NOTE: 1. Before installing, consult local electrical codes for wiring and grounding requirements.**  
**2. READ AND SAVE THESE INSTRUCTIONS.**



1. Unscrew four fixture mounting screws, and remove the mounting plate from the back plate.
2. Place the glass shade onto the glass bracket as shown.
3. Attach the glass bracket to the back plate by aligning set screws on glass bracket with holes on the back plate. Slide set screws through holes, secure them with two metal pads and lock nuts. Repeat this process to complete all glass bracket installation.
4. Install bulbs (Included). See relamping label at socket area or packaging for maximum allowed wattage.
5. Mount the rubber pads, thread the anti-knocking glasses onto the sockets.



6. Attach the mounting plate to the wall.

a) If the wall material is wood:

Attach the mounting plate to the outlet box by using two mounting screws, then secure the dry wall screws through the set holes to the wall.

b) If the wall material is cement:

Attach the mounting plate to the outlet box by using two mounting screws, and then mark the target on the wall from the set hole for drilling two holes. Unscrew two mounting screws and remove the mounting plate. Drill holes and thread the anchors into the holes, then attach the mounting plate to the outlet box by using two mounting screws. Secure the dry wall screws through the set holes into the anchors.

7. Pull out the outlet wires and the house grounding wire from the outlet box. Make wire connections by using the wire nuts:

---Connect the black (hot) wire from the fixture to the black (hot) wire from the power source.

---Connect the white (neutral) wire from the fixture to the white (neutral) wire from the power source.

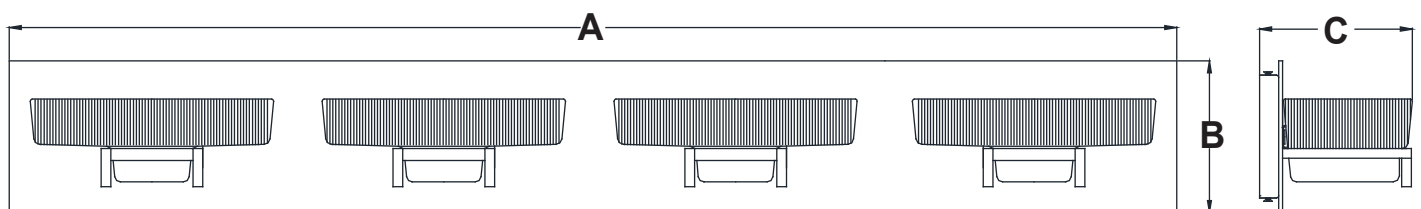
---Attach the fixture grounding wire to the mounting plate with the green grounding screw. Then connect it to the house grounding wire with a wire nut.

Carefully put the wires back into the outlet box.

8. Attach the back plate to the mounting plate by aligning holes, secure the fixture mounting screws from the top holes of the back plate into the holes in the top side of the mounting plate. Then secure the fixture mounting screws from the bottom holes of the back plate to the bottom side of the mounting plate.

9. Turn on the power at the main fuse or circuit breaker box.

**Note:** The lamp is hot. Do not touch the bulb with fingers. It's extremely important to keep the bulb clean. Any dust or sweat may damage the bulb immediately. If accidentally touched or dirty, clean with fabric carefully.



**A: 39"**

**B: 5"**

**C: 5"**

 **VAXCEL**

140410