

aireRyder

LIMITED LIFETIME WARRANTY

Model No.: F0018 / F0019

aireRyder ORIGINAL CEILING FAN LIMITED LIFETIME WARRANTY

The limited lifetime warranty covers this ceiling fan, for residential use by the original purchaser, against defects in material or workmanship as follows:

If your aireRyder Ceiling Fan motor fails at any time during the lifetime of the original purchaser due to defects in material or workmanship, we will provide a replacement part free of charge.

If your Fan motor fails at any time within one year after the original date of sale to the original purchaser due to defects in material or workmanship, we will provide labor to repair the defect, with the exception of take down/reinstallation, free of charge. The original purchaser will be responsible for all labor costs after this one year period.

If no replacement parts are provided for any part of your Fan motor that fails at any time during your lifetime due to defects in material or workmanship, we will refund the original purchase price of your Fan.

If your Fan blades, pull chain switch, reverse switch, or any accessory, except glass globes and light bulbs, fails at any time within one year after the original date of purchase due to a defect in material and workmanship, we will repair or, if we choose, replace the defective blades, switch, or accessory free of charge, with the exception of take down/reinstallation services.

If the original purchaser ceases to own the Fan, this warranty and any implied warranty, including but not limited to any implied warranty of merchantability or fitness for a particular purpose, become void. This warranty and any implied warranty, including but not limited to any implied warranty of merchantability or fitness for a particular purpose, do not cover glass globes, light bulbs, or finish on any metal portions of the Fan.

This warranty is in lieu of express warranties. The duration of any implied warranty of merchantability or fitness for a particular purpose, with respect to any aireRyder Ceiling Fan motor, blades, switch, or accessories, is expressly limited to the period of the express warranty set forth above for such motor, blades, switch, or accessories.

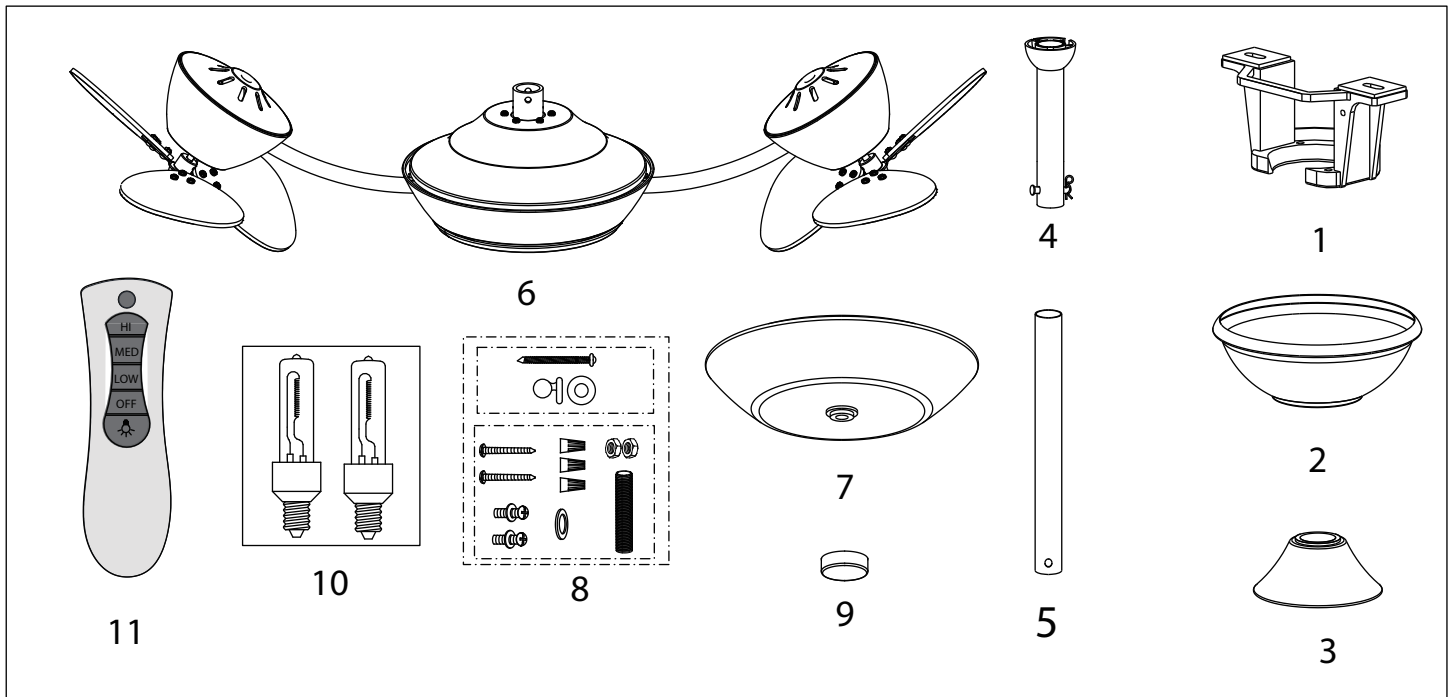
This warranty excludes defects, malfunctions, or failures of any aireRyder Ceiling Fan that are caused by repairs by persons not authorized by us, use of parts or accessories not authorized by us, mishandling, improper installation, modifications or damage to the Fan while in your possession, or unreasonable use, including failure to provide necessary maintenance.

In no event shall aireRyder Fan be liable for consequential or incidental damages.

Some states do not allow the exclusion or limitation of consequential or incidental damages, in which case the above limitation or exclusion may not apply.

This warranty gives you specific legal rights and you may also have other rights which vary from state to state.

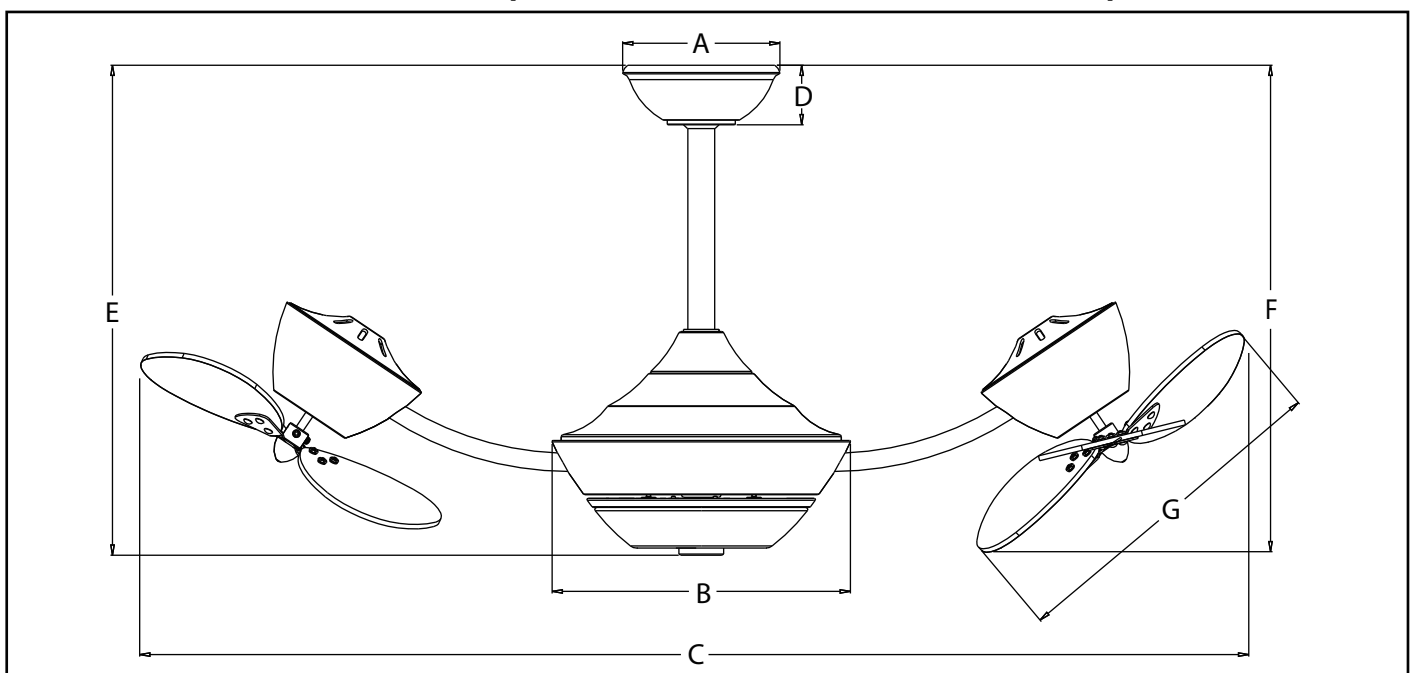
Package Contents:



Unpack your fan and check the contents. You should have the following items.

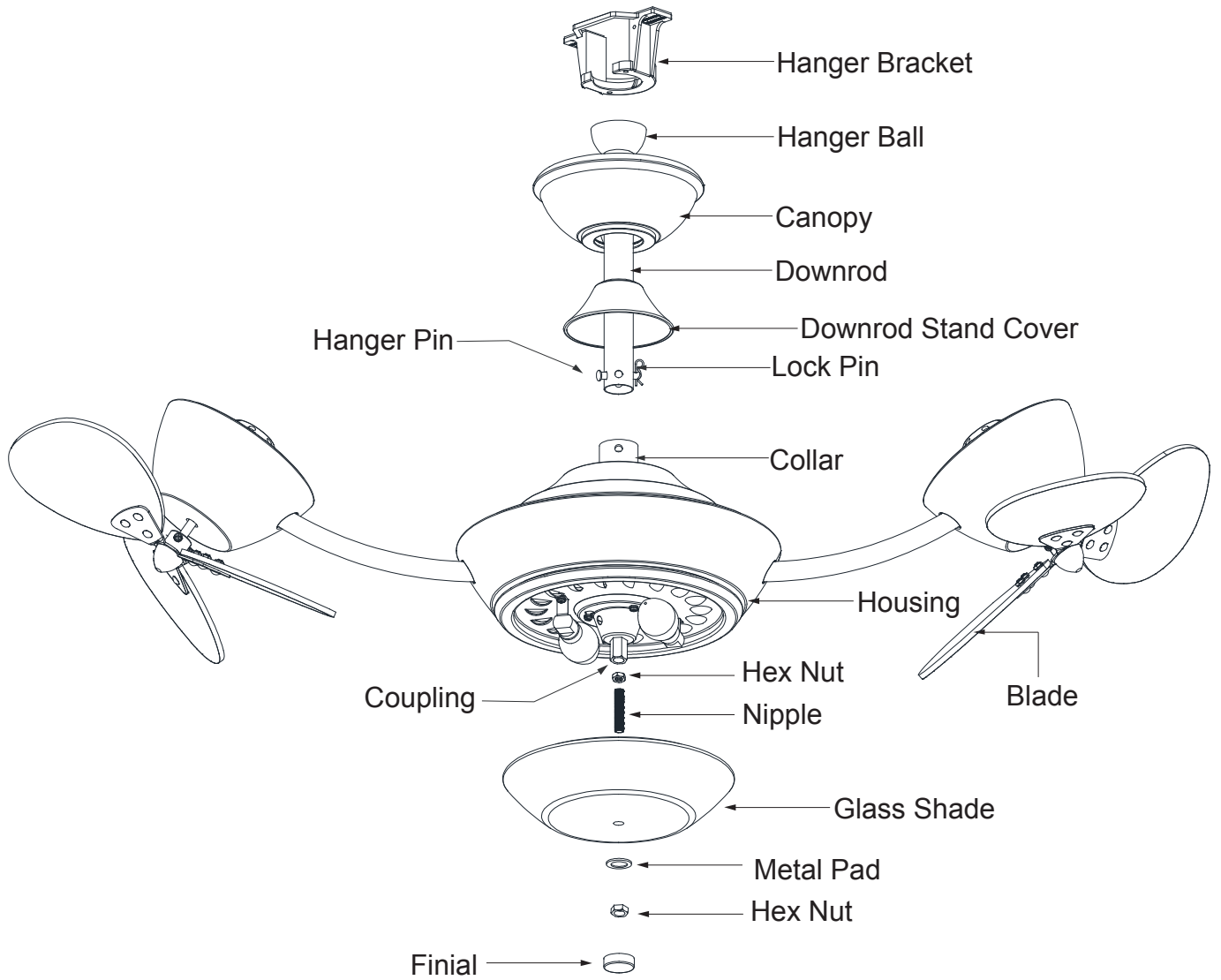
- 1.) Hanger Bracket
- 2.) Canopy
- 3.) Downrod Stand Cover
- 4.) 6" Downrod Set (Includes Hanger Ball, 6" Downrod, Hanger Pin & Lock Pin)
- 5.) 18" Downrod
- 6.) Fan Fixture Set
- 7.) Glass Shade
- 8.) Assembly & Safety Cable Set
- 9.) Glass Shade Finial
- 10.) Type JDE-11 Bulb Max.50W (2 PCS)
- 11.) Remote Control Set

Dimension Reference (Installed with 6" Downrod)

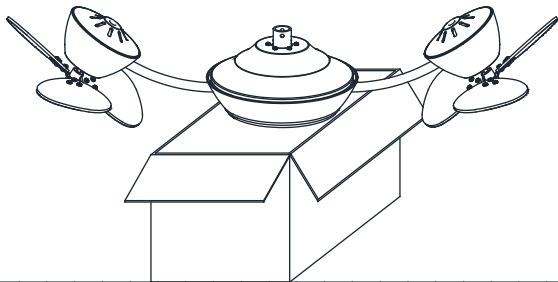


A. 6-1/8" B. 11-5/8" C. 42-3/4" D. 2-1/4" E. 15-3/4" F. 14-5/8" G. 13-3/4"

Exploded View Detail



Important: When unpacking and installing the ceiling fan, do not rest the fan on its blades. Pressure on the blade sets may deform them, causing vibration during operation



Safety Instructions

READ ALL SAFETY INFORMATION AND INSTALLATION INSTRUCTIONS BEFORE YOU BEGIN INSTALLING THE FAN AND SAVE INSTRUCTIONS.

- All set screws of the fan must be checked and retightened where necessary before installation.
- To reduce the risk of personal injury, do not bend the blade brackets when installing the brackets, balancing the blades or cleaning fan. Do not insert foreign objects in between rotating fan blades.
- Before changing the fan direction, turn off the fan and wait for the fan blades to stop completely.
- If a stationary appliance is not provided with a supply cord and a plug, or with other means for disconnection from the mains supply having a contact separation of at least 3 mm in all poles, that means for disconnection must be incorporated in the fixed wiring in accordance with the wiring rules.
- NOTE: The safeguards provided by these safety instructions and by the separate installation instructions are not meant to cover all possible conditions and situations that may occur. It must be understood that common sense, caution and care are factors which can not be built into this product. These factors must be supplied by the person(s) installing, caring for and operating the fan.

WARNING

- TO AVOID RISK OF ELECTRIC SHOCK, BE SURE TO SHUT OFF POWER AT THE MAIN FUSE OR CIRCUIT BREAKER BOX BEFORE INSTALLING OR SERVICING THIS FIXTURE. TURNING OFF THE ELECTRICAL POWER BY USING THE LIGHT SWITCH IS NOT SUFFICIENT TO PREVENT ELECTRICAL SHOCK.
- TO REDUCE THE RISK OF INJURY, INSTALL THE FAN SO THAT THE BLADES ARE AT LEAST 7 FEET (2.1 METERS) ABOVE THE FLOOR AND AT LEAST 18 INCHES (0.5 METERS) FROM THE TIP OF THE BLADES TO THE WALL.
- TO REDUCE THE RISK OF FIRE, ELECTRIC SHOCK, OR PERSONAL INJURY, MOUNT TO OUTLET BOX MARKED "ACCEPTABLE FOR FAN SUPPORT" AND USE MOUNTING SCREWS PROVIDED WITH THE OUTLET BOX.
- THE INSTALLATION HAS TO BE IN ACCORDANCE WITH THE NATIONAL ELECTRICAL CODE, ANSI/NFPA 70-1999 AND LOCAL CODES. IF YOU ARE UNFAMILIAR WITH THE METHODS OF INSTALLING ELECTRICAL WIRING, SEEK THE SERVICES OF A QUALIFIED LICENSED ELECTRICIAN.

INSTALLATION INSTRUCTIONS

IMPORTANT:

- BEFORE YOU BEGIN INSTALLING THE FAN, CAREFULLY READ ALL INFORMATION ON THE SEPARATE SHEET "SAFETY INSTRUCTIONS" AS WELL AS THE FOLLOWING "INSTALLATION INSTRUCTIONS". IF IN DOUBT, CONSULT A QUALIFIED ELECTRICIAN.
- SAVE ALL INSTRUCTIONS.

NOTE: The fan weight is 18.92lbs (8.6kg). Be sure the outlet box you are using is securely attached to the building structure and can support the full weight of the fan. Failure to do so can result in serious injury.

Installation Steps :

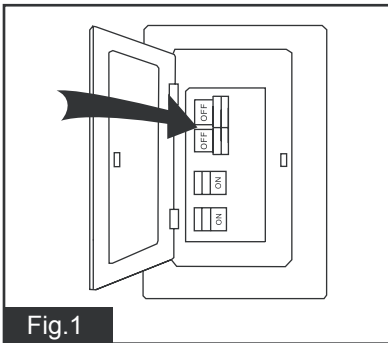


Fig. 1

Turn OFF the electric power at the main fuse or circuit breaker box.

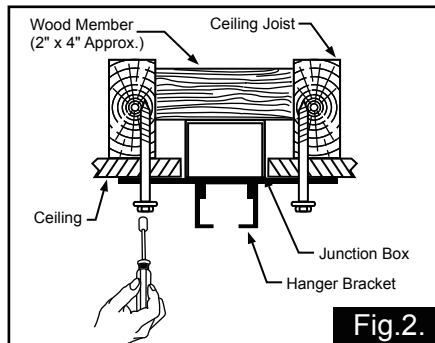
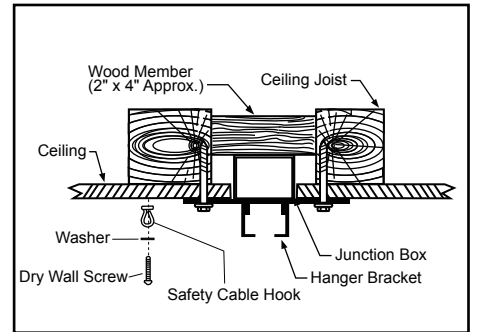


Fig. 2.



Tighten the hanger bracket to the outlet box with two mounting screws. **(Make sure the outlet box is securely installed so that it will be able to support at least the fan weight.)** Attach the safety cable hook to the ceiling with the dry wall screw and washer, and make sure the safety cable hook is covered by the fan canopy.

WARNING: MOUNT ONLY TO AN OUTLET BOX MARKED "ACCEPTABLE FOR FAN SUPPORT"!

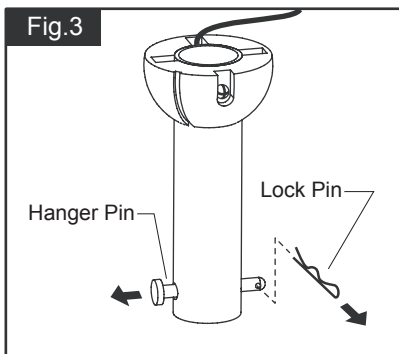


Fig. 3

Remove the Lock Pin and take off the Hanger Pin.

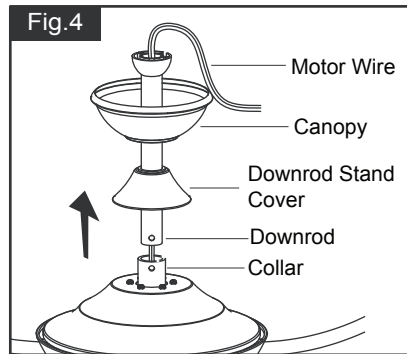


Fig. 4

Slide canopy and downrod stand cover onto downrod, as shown; Then thread motor wires through downrod.

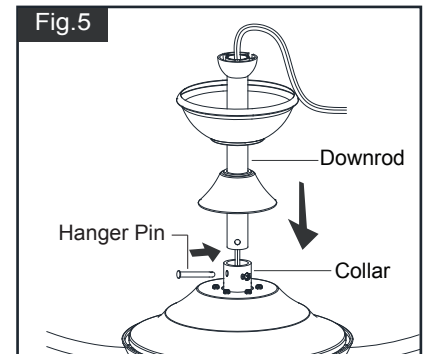


Fig. 5

Insert the Downrod into the Collar. Slide Hanger Pin through holes of Collar and Downrod.

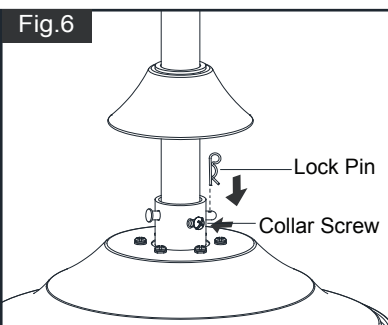


Fig. 6

Insert and tighten the two Collar Screws. Slide Lock Pin into Hanger Pin until it locks into position.

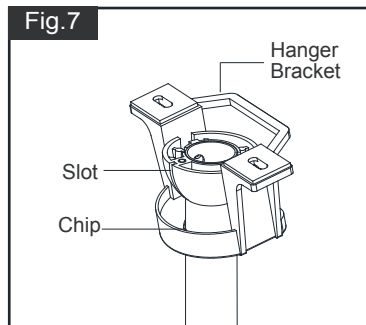
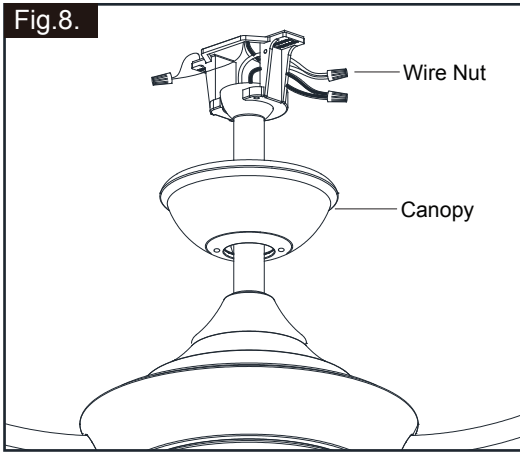


Fig. 7

Hang fan on hanger bracket, and rotate the downrod until the chip on the hanger bracket snaps into the slot on the hanger ball.

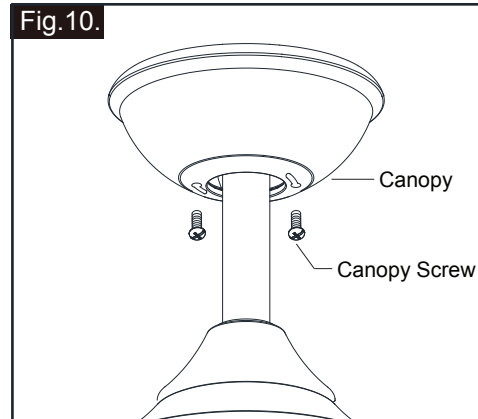
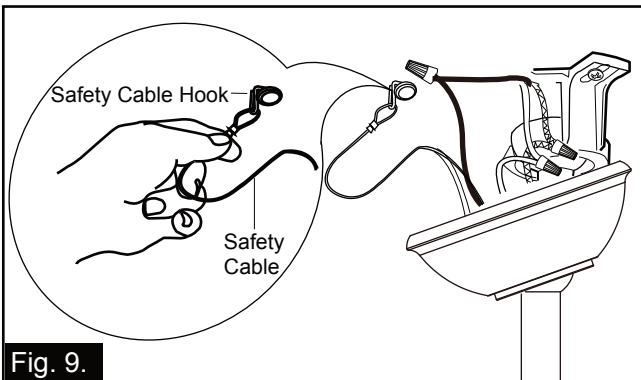


Make wire connections:

- 1). The white motor wire to the white wire from the outlet box with a wire nut.
- 2). The black motor wire to the black wire from the outlet box with a wire nut.
- 3). The ground wire from the outlet box to the ground wire from the motor with a wire nut.

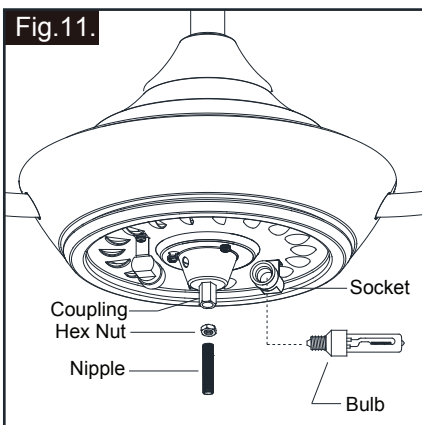
*** After making the wire connections, the wires should be spread apart with the grounded wires on one side of the outlet box and the ungrounded wires on the other side of the outlet box.

*** After the connections have been made, the wires should be turned upward and pushed carefully up into the outlet box.

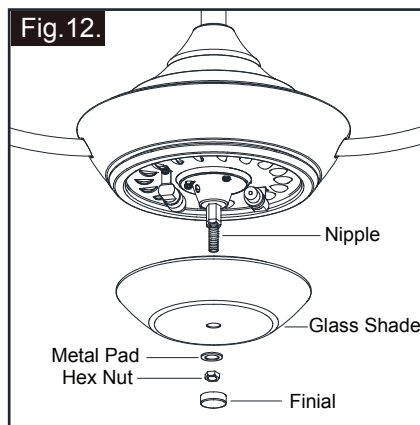


Tuck all wires into the canopy. Push the canopy upwards, lining up the keyholes on the bottom with the screws on the hanger bracket. Twist the Canopy to lock it in place, then tighten the screws to secure it.

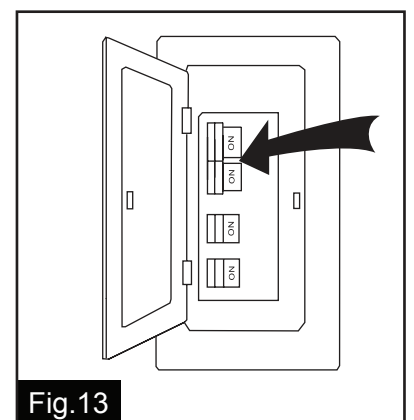
Hang the safety cable into the safety cable hook.
(See Fig.9)



Attach nipple to the coupling, and secure it with a hex nut. Install bulbs (included). See relamping label at socket area or packaging for maximum wattage.



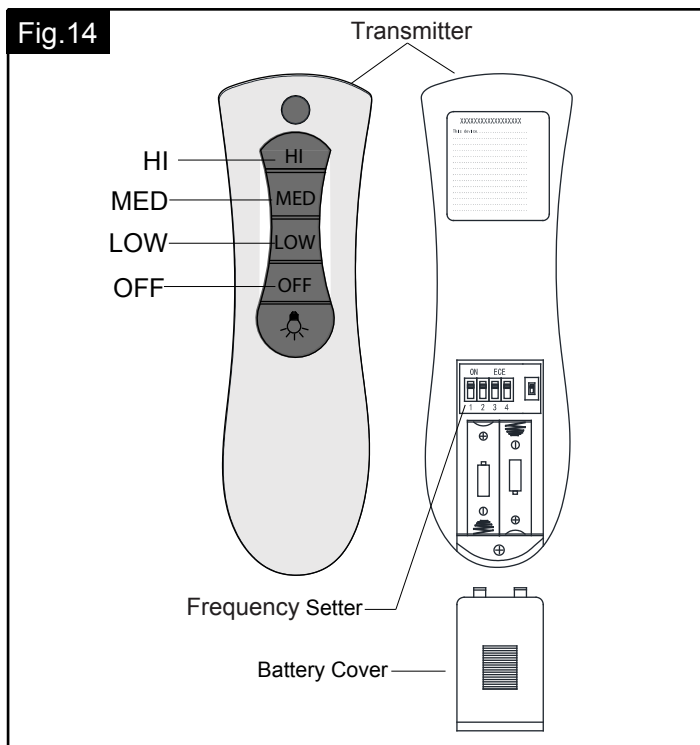
Attach the glass shade and metal pad through the nipple, secure them together with a hex nut and finial.



Turn ON the electric power at the main fuse or circuit breaker box.

WARNING:

As per EPACT 2005 requirements, this fan light has a built-in current limiting device to conserve energy. The fan light will not operate if the combined wattage of the installed bulbs exceeds 190 Watts. If the fan light shuts off shortly after being switched on, it may be due to excessive current demand. You should replace the light bulbs with lower wattage bulbs.



Step 1: Set the frequency.

The frequency setter is located under the battery cover. Initially, all 4 keys are set in upward position. If more than one remote-controlled fan is installed or if frequency interference occurs, the fan may function abnormally. In this situation, reset the fan frequency as follows:

1. Remove battery cover.
2. Use a pen (or any convenient tool) to switch keys to select a frequency mode which will not interfere with other electronic devices. There are 15 frequency modes available excluding the original ex-factory mode (see Fig.15).

Note: Set different remote-controlled fans in one building at different frequency modes.

Step 2: Program the fan

1. Install two AAA batteries (not included) into the transmitter.
2. Turn on the power to the fan.
3. Within 30 seconds after power is turned on, press and hold the "OFF" button for 5 seconds. Once the code has been set successfully, the fan will make a "beep" sound.

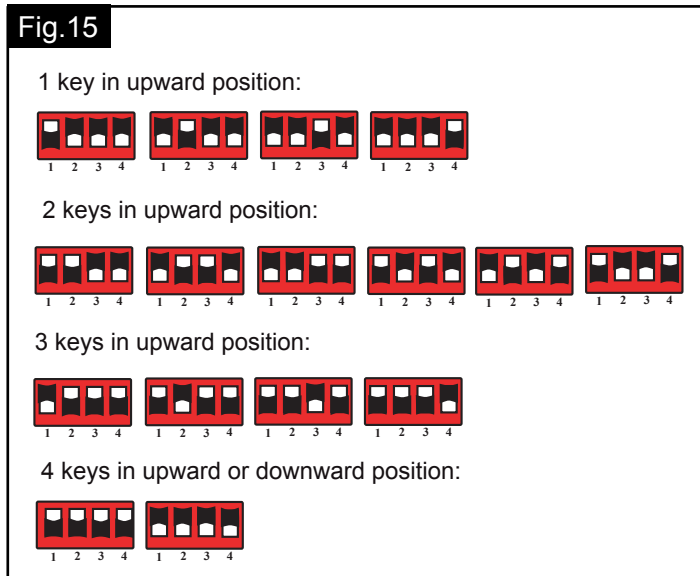
Step 3: Operate the transmitter

- * Press "HI" to turn on the fan to high speed.
- * Press "MED" to turn the fan to medium speed.
- * Press "LOW" to turn the fan to low speed.
- * Press "OFF" button to turn off the fan.
- * Press and release the "Light Bulb" button quickly to turn on or turn off the light.
- * Press and hold the "Light Bulb" button to dim or brighten lights to the desired level.

Important: Energy saving (CFL) light bulbs are not recommended for this item.

Note: This remote control has a memory function for the fan light.

- * If the fan light is switched off using the remote control, it will return to the same level of brightness when switched on again.
- * If the power is switched off using the main power switch, the light will turn back on to full brightness when the main power is switched on again.



Trouble Shooting Guide

If you have difficulty operating your new ceiling fan, it may be the result of incorrect assembly, installation or wiring. In some cases, these installation errors may be mistaken as defects. If you experience any faults, please check this Trouble Shooting Guide.

TROUBLE	SUGGESTED REMEDY
1.If fan does not start:	<ol style="list-style-type: none">1. Check if main and branch circuit fuses or circuit breakers are good.2. Check if wire connections in canopy are correct. Caution: Make sure main power is turned off.3. Make sure that the wall controller is turned "ON"4. Check the batteries if all are in good positions.
2.If fan sounds noisy:	<ol style="list-style-type: none">1. More powerful motor (rotor motor) and larger sloped level of blade pitch (blade pitch is 20°) will produce more air circulation. Normally, it will also produce a little noisy sound.2. Make sure all screws in motor housing are snug. (not over tightened).3. Make sure the canopy screws are tight.4. Allow break-in period of 24 hours. Most noises associated with a new fan will disappear after this period.
3.If fan wobbles:	<ol style="list-style-type: none">1. Check that all blades are screwed firmly into blade holders.2. Check that all blade holders are tightened securely to motor.3. Make sure that canopy and mounting bracket are tightened securely to ceiling joist.4. Make sure the angle of motors are the same.
4. If light does not work:	<ol style="list-style-type: none">1. Check if wire connections in canopy are correct. Caution: Make sure main power is turned off.2. Press and release quickly to turn on or turn off the light. Press and hold the "DIMMER" button to adjust the light level as required.3. Check if the light bulb is faulty. CAUTION: Make sure main power is turned off before entering light housing.