



UTTERMOST

STYLE NO.: 22197

Assembly Instruction

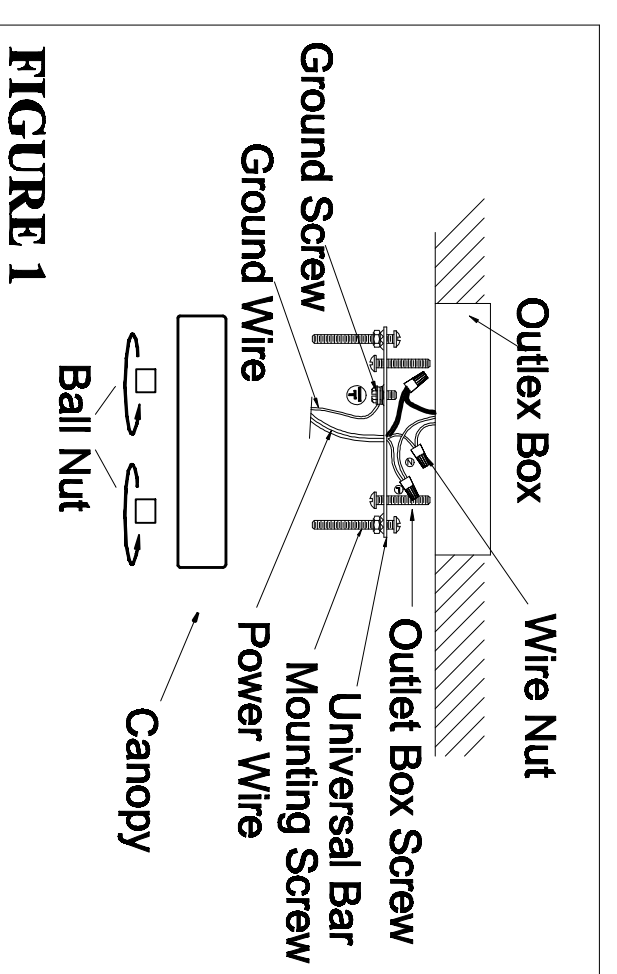


FIGURE 1

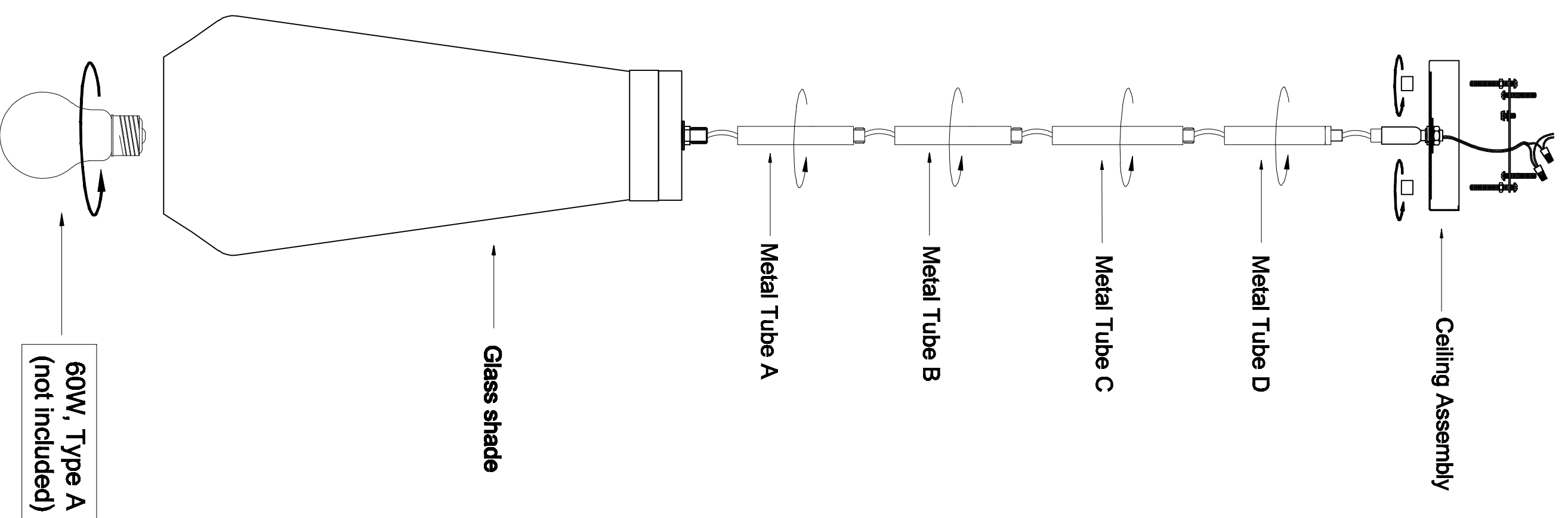
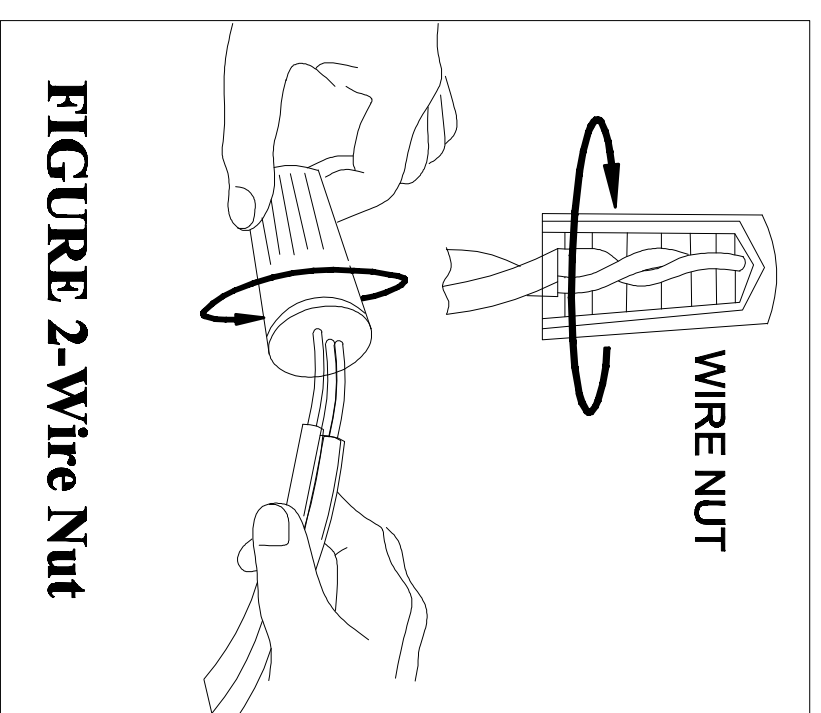


FIGURE 2-Wire Nut



UTTERMOST

STYLE NO.: 22197 Parts and Hardware List

A.	Ceiling Assembly	1PC
B.	Ball Nut	2PCS
C.	Shade Assembly	1PC
D.	Universal Bar	1PC
E.	Mounting Screw	2PCS
F.	Ground Screw (green)	1PC
G.	Wire Nut	3PCS
H.	Outlet Box Screw	2PCS

Please make sure that you have all the parts indicated before you begin assembling this item. Please read Wiring Instructions before you begin assembling and installing your Ceiling lamp.

WARNING: BEFORE INSTALLING, make sure the electricity supply is shut off to avoid a possible electric shock.

Assembly Instruction

Carefully unpack all lamp parts from carton. We suggest a licensed electrician for all fixture installations.

1. Take the parts carefully out of the carton, place them on a flat surface, and make sure that the parts will not be damaged.
2. Remove the Ball Nuts under the Canopy from the Mounting Screws, and take out the Universal Bar. Attach the Universal Bar to the Outlet Box by using two Outlet Box Screws. (See Figure1)
3. Adjust the length of the wire needed for your installation, remove excess. Determine the number of rods to be assembled to the Fixture Body as needed for your hanging height. Install the ground wire in the Universal Bar with the supplied Ground Screw (green).
4. Place the null wire, ribbed wire evenly against the ribbed wire from the Outlet Box and place the live wire, smooth wire evenly against the smooth wire from the Outlet Box. (Connecting the Wires -See Figure 2)
5. After the wires are connected, tuck them carefully inside the Outlet Box. Attach the Ceiling Assembly to the Mounting Screws and secure with two Ball Nuts. (See Figure1)
6. Screw the top of glass shade Assembly onto the Metal Tube (A) until secure.
7. Repeat the Step 6 with the Metal Tube (B), (C) and (D).
8. Screw the metal tube (D) to the canopy.
9. Install 1 *60 Watt, Type A bulbs (sold separately) into the sockets of the fixture.

Your installation is complete. Turn electrical power back ON.

PO BOX 558/3325 GRASSY HILL RD. ROCKY MOUNT, VIRGINIA 24151
www.uttermost.com

PO BOX 558/3325 GRASSY HILL RD. ROCKY MOUNT, VIRGINIA 24151

www.uttermost.com