

Mister 50

Atomizing Humidifier



TECHNICAL ENGINEERING SPECIFICATION



Performance:

- Save on Energy Costs and Improve Comfort
- Increasing a Home's Relative Humidity Makes it Feel More Comfortable at 68°F / 20°C than it does at 73° F / 23°C at a Low Relative Humidity Level
- Lower Thermostat Settings Deliver Substantial Savings on Monthly Energy Bills
- Evaporative Capacity 10.7 Gallons At 60 PSI

Features:

- Installs with Ease Even in the Tightest Situations
- All Units Come with a Self-Piercing Saddle Valve for Added Installation Convenience
- Tilt-Out Mounting Allows Fast Access to the Key Parts of the Unit
- Unique Multi-Position Nozzle Assembly Allows for Precise, Reliable Moisture Delivery
- Maximum Evaporative Capacity up to 11 Gallons per Day

How Humidifiers Work:

Atomizing humidifiers are installed onto the supply duct, where a nozzle generates a superfine mist that is distributed into the home and quickly absorbed into the air. The combination humidistat / thermostat automatically controls the operations to ensure that the proper amount of humidity is added to the home. A built-in thermostat starts the unit when the temperature in the warm air duct reaches the proper setting. The humidistat, installed either on the wall or in the cold air return duct, turns on the unit.

Warranty:

- 2-year Limited Warranty

TECHNICAL ENGINEERING SPECIFICATION

Mister50

Model	Mister50
PART NO.	351367-101
TYPE OF UNIT	Atomizing
MAX EVAPORATIVE CAPACITY	11 Gallons Per Day – GPD (1.7 LPH)
VOLTS/HZ	24 V / 60 HZ
DIMENSIONS	6" W X 6" H X 23/4" D (152w x 152h x 70d Mm) / Packaging 6 1/4" W x 6" H X 9 1/4" D (159w x 152h x 235d mm)
WEIGHT	11/2 Lbs. (0.68 Kg.) / Shipping – 3 Lbs. (1.36 Kg.)
NOZZLE	0.75 GPH (2.84 LPH) Stainless Steel, 60° Hollow Oil Nozzle

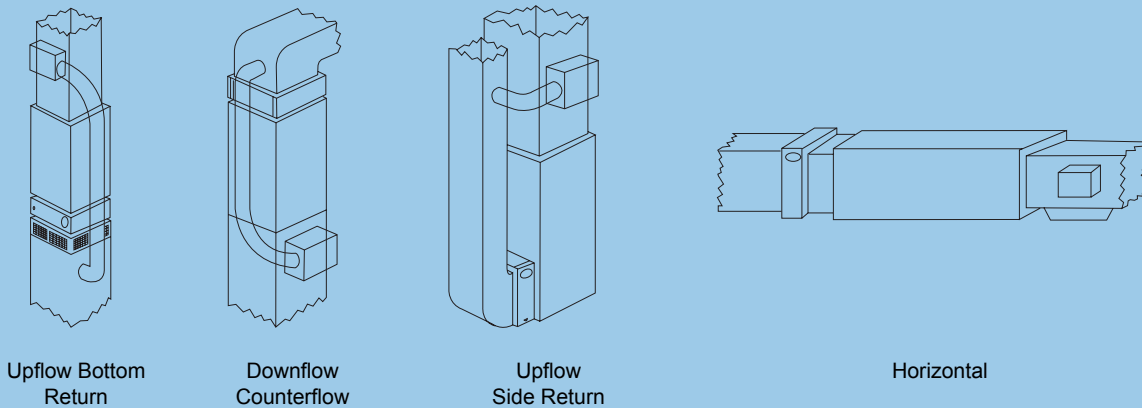
Evaporator Supply Capacity

Furnace Temp.		Mister 50	
°F	°C	Gallons per Day	Liters per Hour
100°F	37.7°C	Do Not Use at this Temperature	
120°F	48.8°C	11.0	1.7
140°F	60°C	11.0	1.7

Evaporator Supply Capacity

Water Pressure		Evaporative Capacity	
Gallons per Day	Liters per Hour	Gallons per Day	Liters per Hour
40 PSI	2.78	9.0	1.4
60 PSI	1.14	10.7	1.7
80 PSI	5.52	13.2	2.0

Installation Options



©2008 Trion®- Indoor Air Quality Solutions | Herrmidifier® - Engineered Humidification Solutions. Trion® and Herrmidifier® are registered trademarks of Air System Components, Inc. Trion® reserves the right to revise or modify products and/or specifications without notice. All product specifications reflect available information at the printing of this brochure.

Trion® | 101 McNeill Road | Sanford, NC 27330 | Phone: 800-884-0002 | Fax: 800-458-2379
Web: www.trioninc.com | Email: customerservice@trioninc.com