

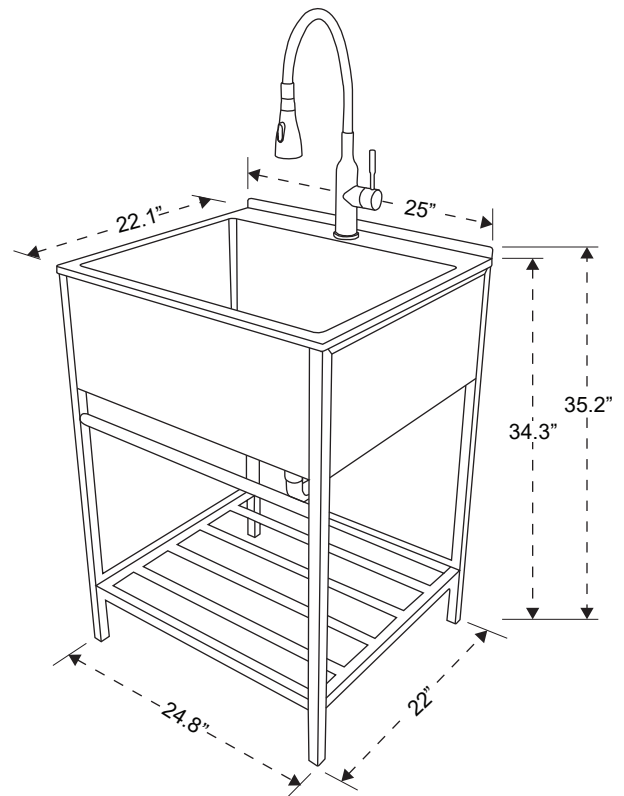
FEATURES:

- Complete laundry wash stand with stainless steel apron on front and sides, drop-in sink, high arc articulating faucet, metal rack, basket strainer and P-trap.
- Easy-to-assemble industrial style metal cabinet with adjustable feet.
- Suitable for indoor or outdoor use.
- Pre-drilled holes on wash stand for wall mount installation.
- 1.8 gpm stainless steel high arc single lever faucet with ceramic disc, flexible black silicone hose, dual spray head and garden hose adapter.
- 18 gauge stainless steel drop-in sink with 10" high apron on front and sides of wash stand, 20 gallon capacity.
- Includes storage rack on bottom and 0.87" diameter strong towel bar.
- Easy to clean.
- Limited lifetime warranty.



Specified Model

	Model No.	Cabinet Color	Width	Depth	Height
COMPLETE LAUNDRY CABINET KIT					
<input type="checkbox"/>	TFH-2522-SS	Stainless Steel	25"	22.1"	35.2"
<input type="checkbox"/>	TFH-2522-MB	Black	25"	22.1"	35.2"



Applicable Codes & Standards:

- IAPMO[®]
- cUPC Certified

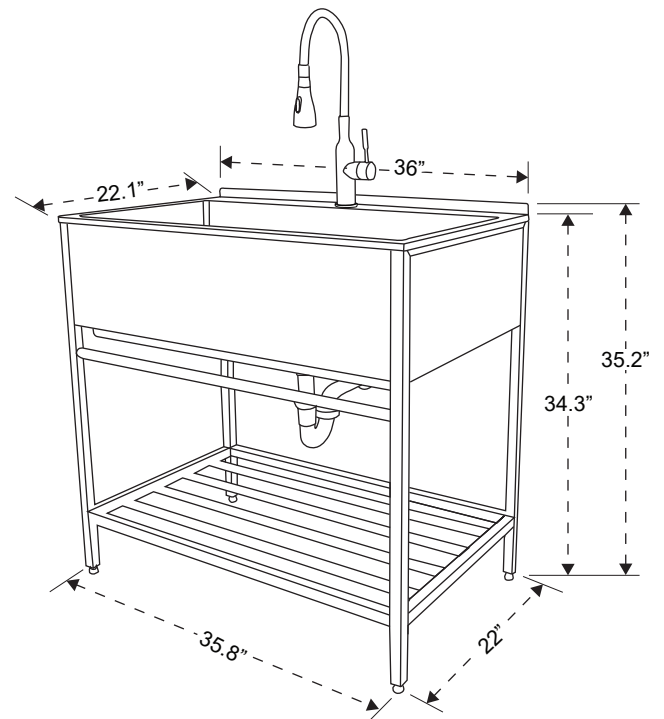
FEATURES:

- Complete laundry wash stand with stainless steel apron on front and sides, drop-in sink, high arc articulating faucet, metal rack, basket strainer and P-trap.
- Easy-to-assemble industrial style metal cabinet with adjustable feet.
- Suitable for indoor or outdoor use.
- Pre-drilled holes on wash stand for wall mount installation.
- 1.8 gpm stainless steel high arc single lever faucet with ceramic disc, flexible black silicone hose, dual spray head and garden hose adapter.
- 18 gauge stainless steel drop-in sink with 10" high apron on front and sides of wash stand, 30 gallon capacity.
- Includes storage rack on bottom and 0.87" diameter strong towel bar.
- Easy to clean.
- Limited lifetime warranty.



Specified Model

	Model No.	Cabinet Color	Width	Depth	Height
COMPLETE LAUNDRY CABINET KIT					
□	TFH-3622-SS	Stainless Steel	36"	22.1"	35.2"



Applicable Codes & Standards:

- IAPMO®
- cUPC Certified