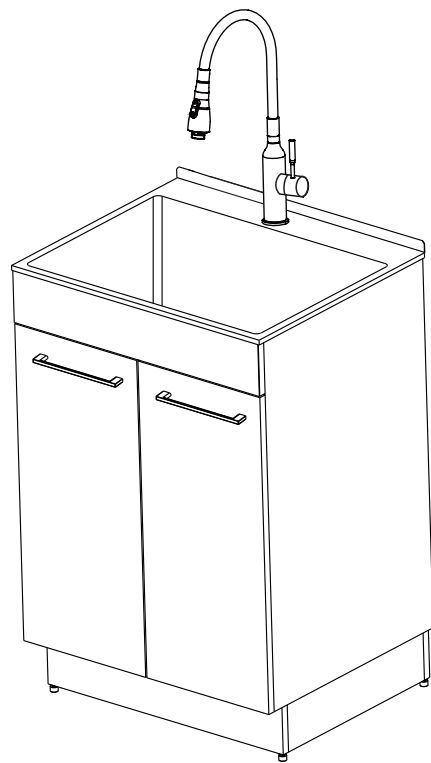


**TC-2420-WC**



**TCA-2420-WS**

## **White laundry Cabinet with Stainless Steel Sink and High Arc Faucet**

**IMPORTANT:**

1. One carton containing cabinet board and hardware.
2. One carton containing sink, faucet and strainer.
3. TC-2420-WC installation shown.


# Table of Contents

Table of Contents .....	2	Door Position Adjustment .....	11
Safety Information .....	2	Strainer Installation .....	12
Pre-Installation .....	3	Faucet Assembly/Installation .....	13
Tools/Materials Required .....	3	Secure Cabinet Position .....	14
Package Contents .....	4	Mounting the Utility Sink .....	14
Installation .....	6	Placement .....	15
Cabinet Assembly .....	6	Maintenance .....	15
Base Assembly .....	9	Care and Cleaning .....	16
Door Installation .....	10	Utility Sink .....	16
Door Handle Installation .....	11	Cabinet .....	16

# Safety Information

## READ AND SAVE THESE INSTRUCTIONS

1. Inspect your unit before proceeding. Once you unpack your unit, check for chips, scratches, cracks, dents or scuff marks. If any damage is noticed, do not install.
2. Use this unit only in the manner intended by the manufacturer. If you have any questions, contact the manufacturer.
3. Installation work and plumbing must be done by qualified person(s) in accordance with all applicable codes and standards.
4. Protect the entire surface during installation.
5. All holes drilled into the unit must be done from the finished surface side with extreme care and caulked very carefully to form a watertight barrier.

 **DANGER:** Always wear safety goggles and gloves in order to avoid personal injury.

# Pre-Installation

## TOOLS/MATERIALS REQUIRED (NOT SUPPLIED)



Adjustable wrench



Needle nose pliers



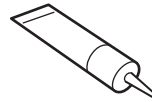
Phillips screwdriver



Utility knife



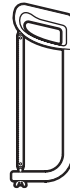
Pipe wrench



Sealant



Carpenter's level



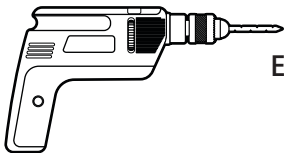
Hacksaw



Safety gloves



Safety goggles



Electric drill



Rubber mallet

## PARTS REQUIRED (NOT SUPPLIED)



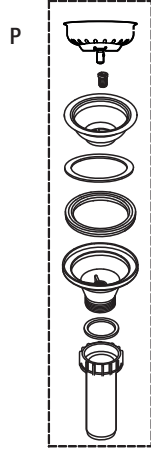
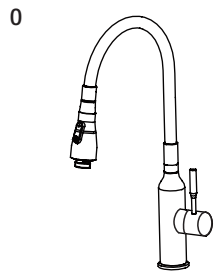
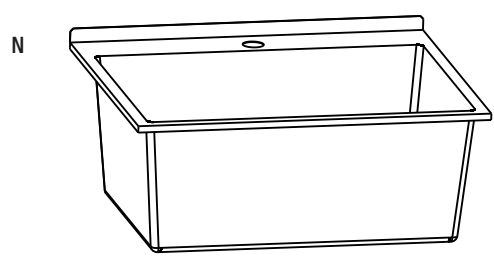
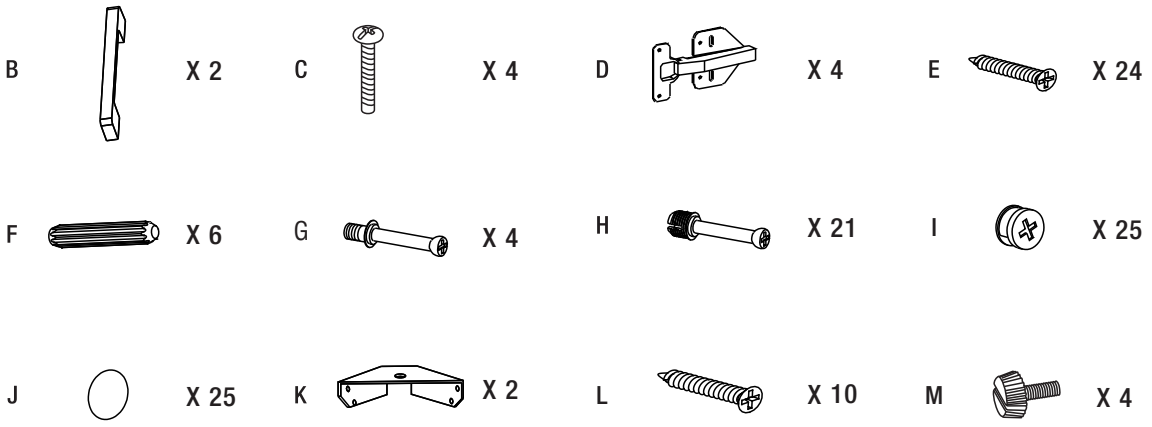
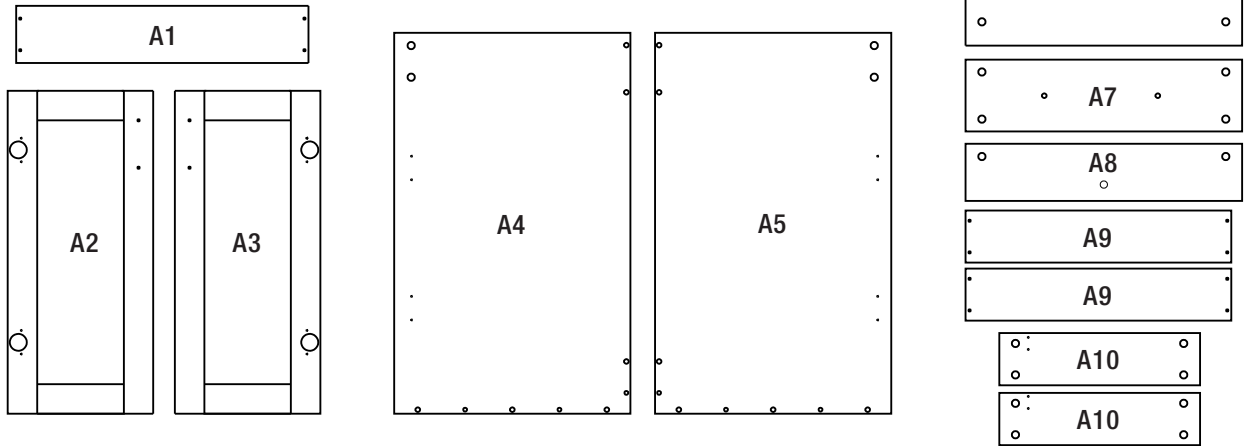
P-Trap

# Pre-Installation (continued)

## PACKAGE CONTENTS



**Warning:** Carefully check the utility cabinet for damage and/or missing parts prior to installation. If there is any damage or if you are missing parts, do not proceed with the installation. Report damage and/or missing parts immediately to our customer service team. Please do not dispose of packaging before you are satisfied with your new utility cabinet.



## Pre-Installation (continued)

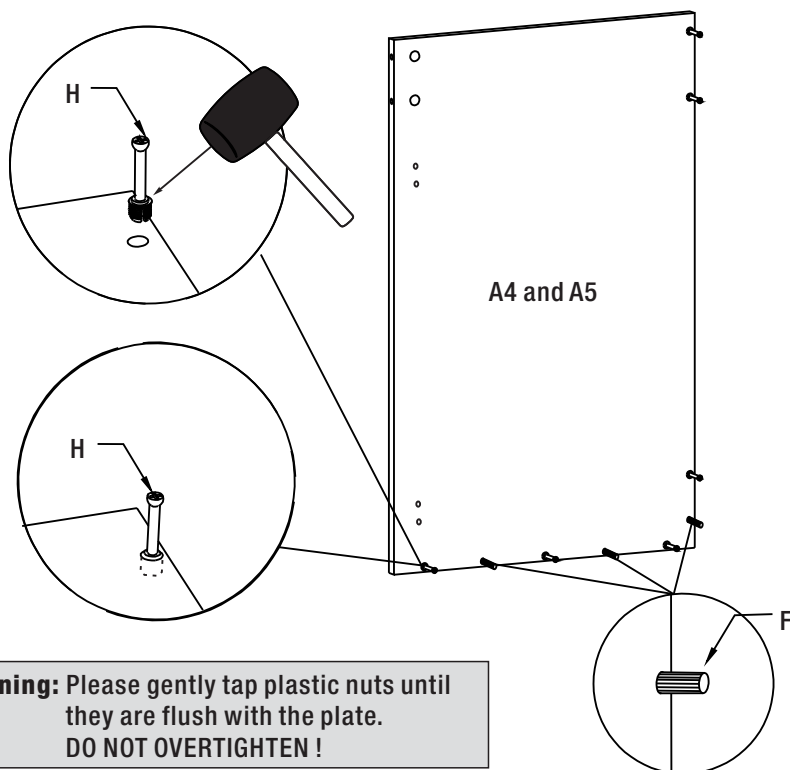
### PACKAGE CONTENTS

Part	Description	Size	Quantity
A1	Front Panel	594x116x15mm	1
A2	Right Door	656x296x15mm	1
A3	Left Door	656x296x15mm	1
A4	Left Panel	774x480x16mm	1
A5	Right Panel	774x480x16mm	1
A6	Bottom Panel	562x480x16mm	1
A7	Top Brace	562x146x16mm	1
A8	Bottom Brace	562x116x16mm	1
A9	Front & Rear Panel for Base	540x106x16mm	2
A10	Left & Right Panel for Base	408x106x16mm	2
B	Door Handles		2
C	Door Handles Screw	M4x20mm	4
D	Door Hinges		4
E	Flat Head Hinge Screw	ST4x14mm	24
F	Wood Dowels	Ø7.8x40mm	6
G	Cam Lock Pin	Ø10x9x41mm	4
H	3-in-1 Cam Fitting	Ø10x43mm	21
I	Cam Lock	Ø14.8x12mm	25
J	Self-Adhesive Screw Cover Sticker	Ø20mm	25
K	Triangle Bracket		2
L	Pan Head Triangle Bracket Screw	ST4x14mm	10
M	Adjustable Cabinet Feet		4
N	Sink		1
O	Faucet		1
P	Strainer		1
Q	Plastic Anchor	Ø8x40mm	2
R	Screw	ST5x50mm	2

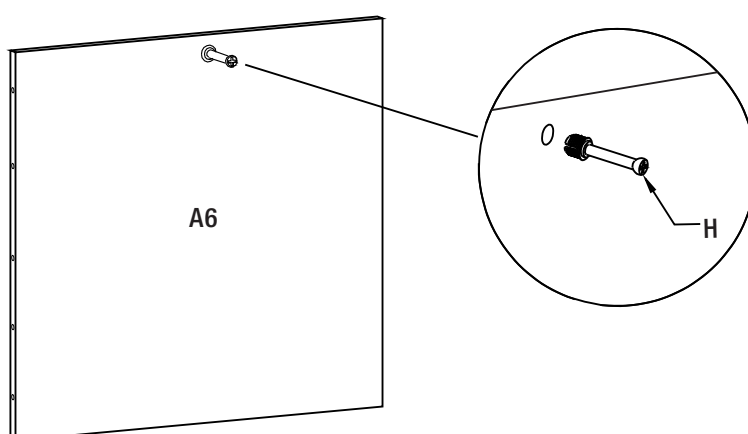
# Installation

## CABINET ASSEMBLY

1. Unpack all components and place them on a blanket or cardboard to protect them.
2. Install three wooden dowels (F) and six 3-in-1 cam fitting (H) in proper position into the left panel (A4). Repeat the same on right panel (A5).

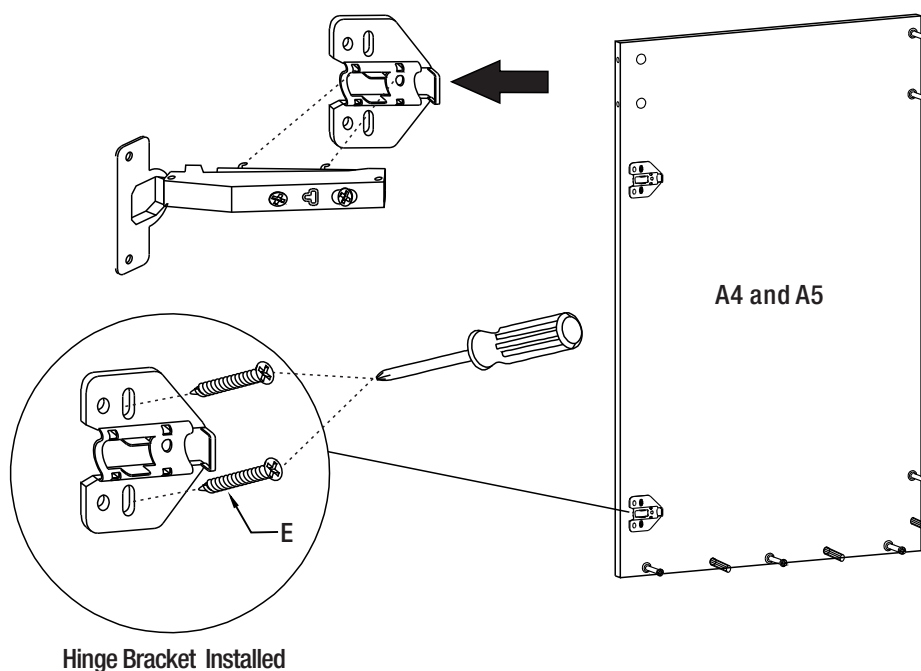


3. Install one 3-in-1 cam fitting (H) in proper position into the bottom panel (A6).

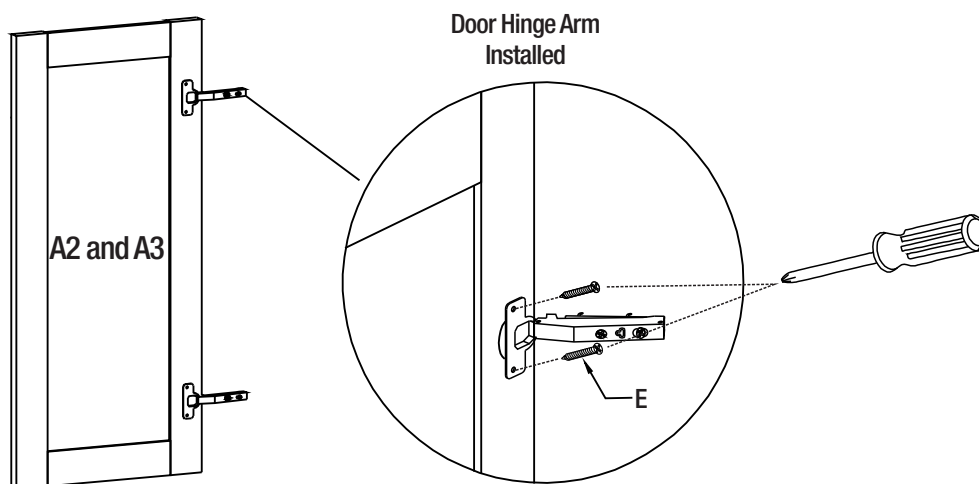


## Installation (continued)

4. Unassemble the door hinges by pushing the button of quick release. Install hinge bracket on the side panel (A4) and (A5) with pre-drilled screw holes. Please noted only the elliptical adjustment screw hole needs to be fixed at this step.

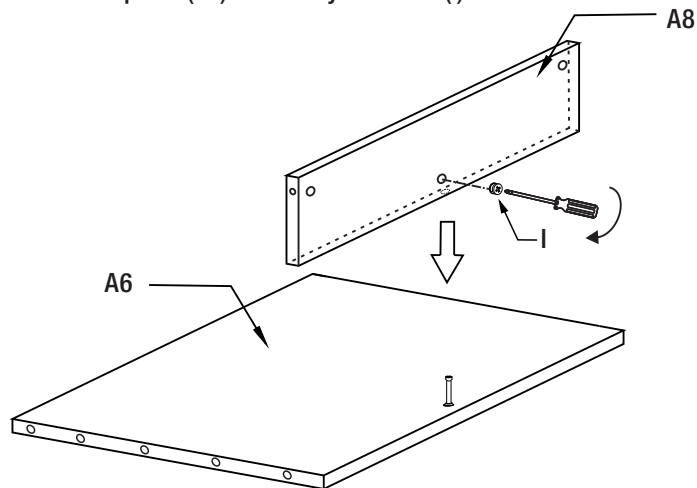


5. Install the door hinge arm on the door panel (A2) and (A3) .

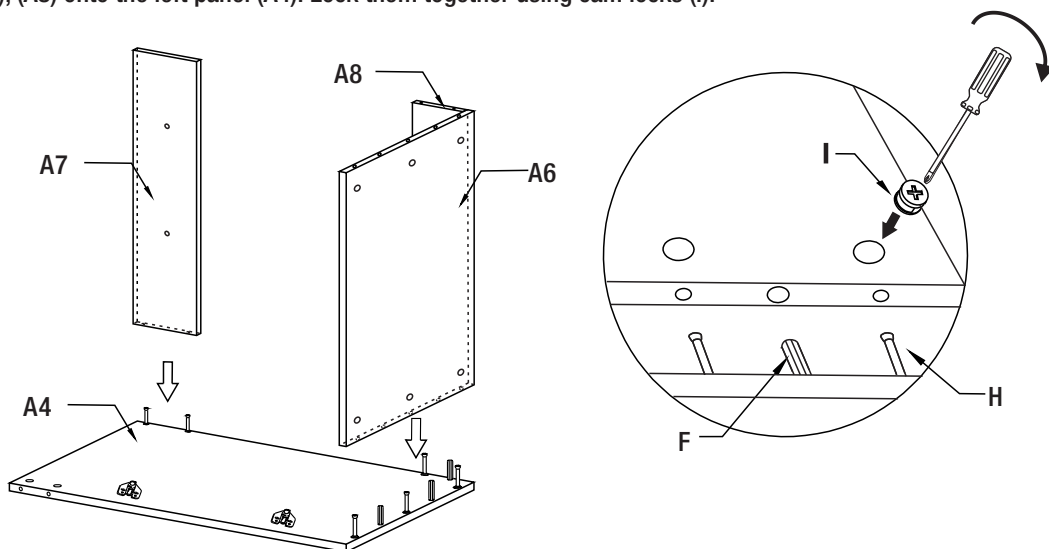


# Installation (continued)

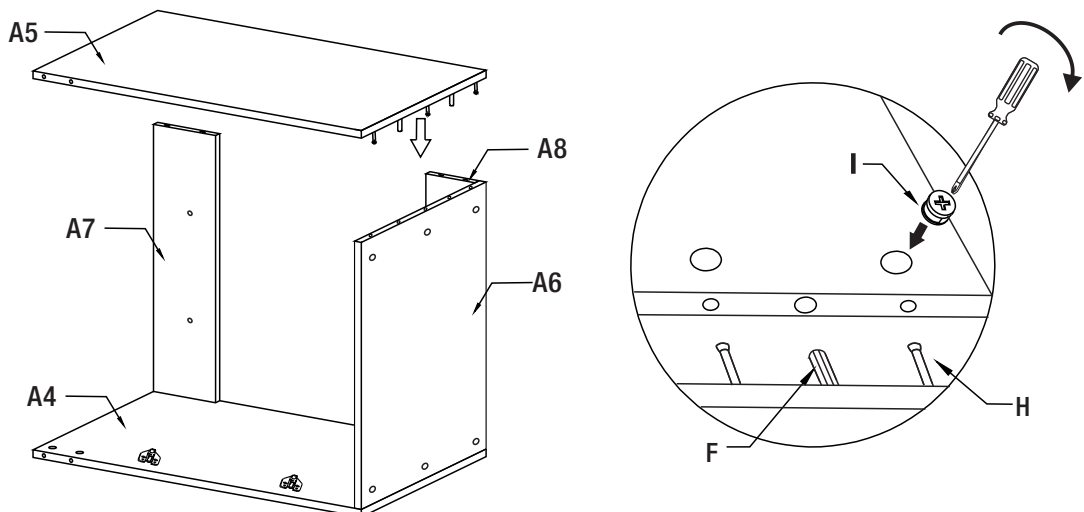
6. Assemble bottom brace (A8) with bottom panel (A6). Lock it by cam lock (I).



7. Install (A6), (A7), (A8) onto the left panel (A4). Lock them together using cam locks (I).



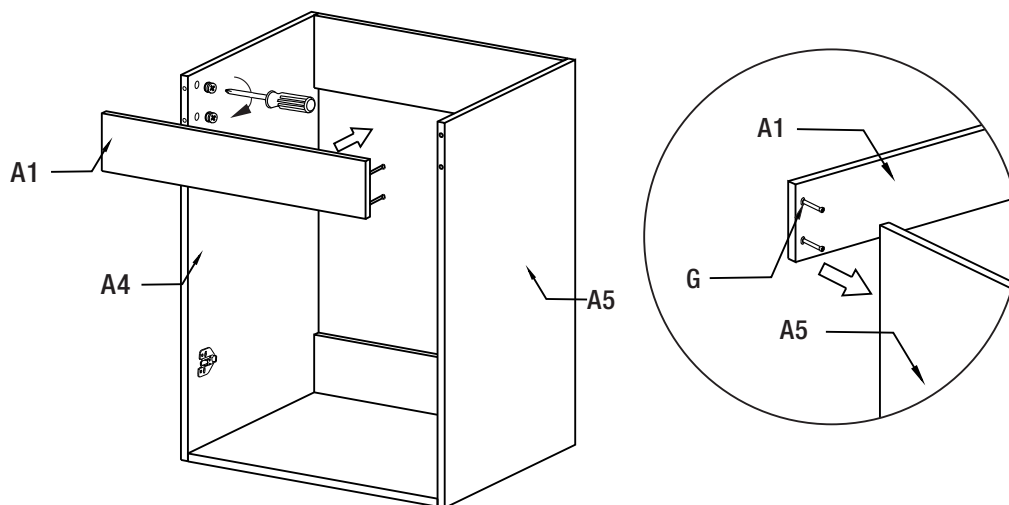
8. Similarly, assemble right panel (A5) onto (A6), (A7), (A8). Lock them together using cam locks (I).



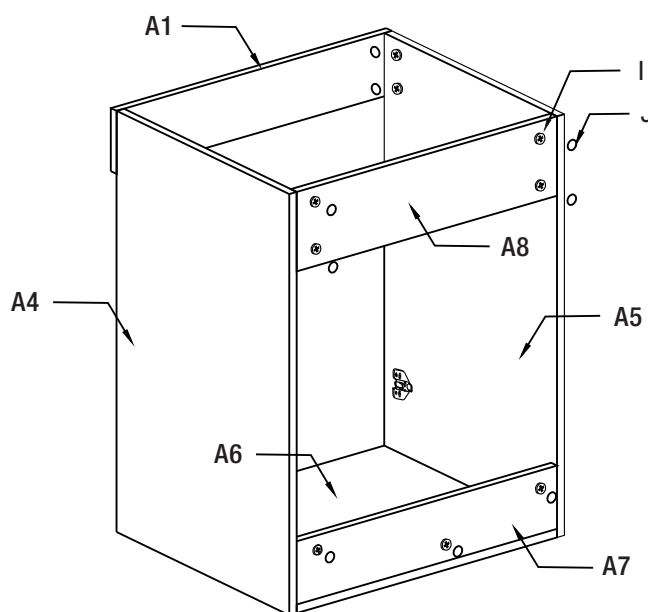


## Installation (continued)

9. Place the cabinet upright. Install four cam lock pin (G) on front panel (A1). Assemble (A1) along with top of cabinet by securing cam lock (I).

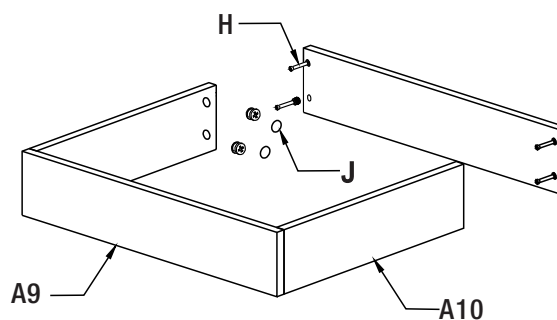


10. Cover the cam lock screw holes with supplied self-adhesive screw cover sticker (J).



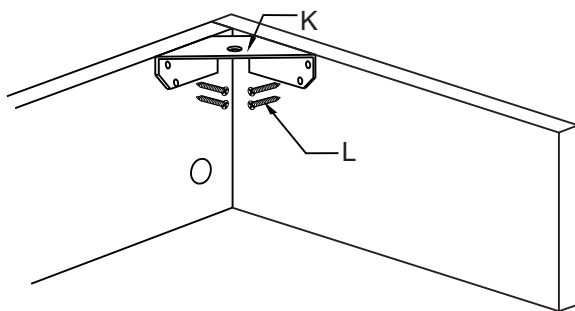
## BASE ASSEMBLY

1. Place 3-in-1 cam fitting (H) on (A9). Assemble (A9) with (A10) by securing cam lock (I). Then cover the cam lock screw holes with supplied self-adhesive screw cover sticker (J).

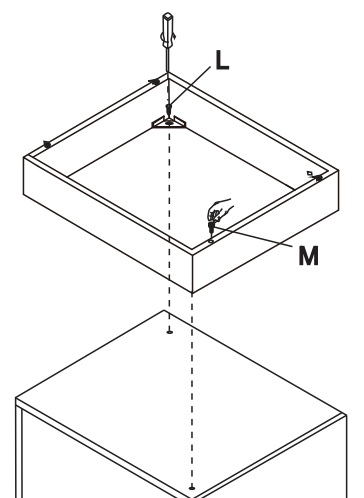


## Installation (continued)

2. Install the triangle bracket (K) onto the cabinet base.

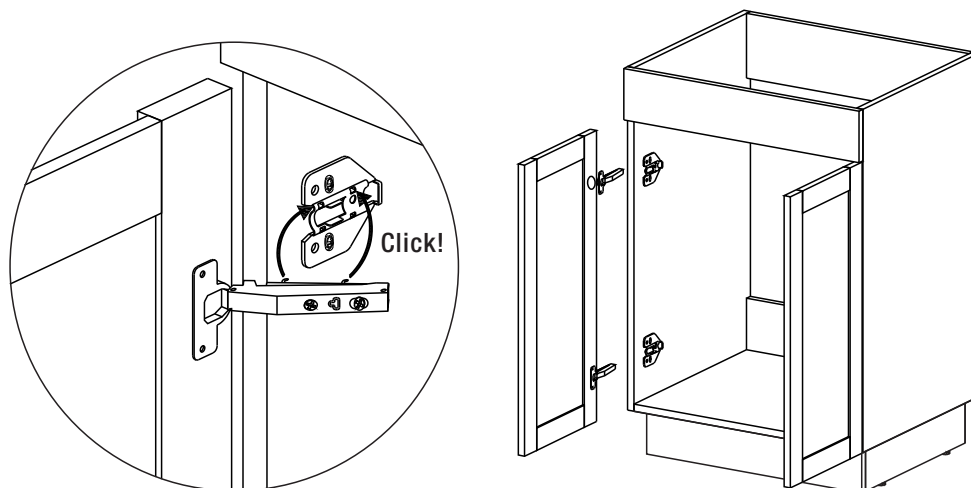


3. Rotate the cabinet upside down. Gently attach the cabinet base onto its proper location, using the supplied pan head triangle bracket screw (L), attach the base to the cabinet. Attach cabinet feet (M) to the base.



## DOOR INSTALLATION

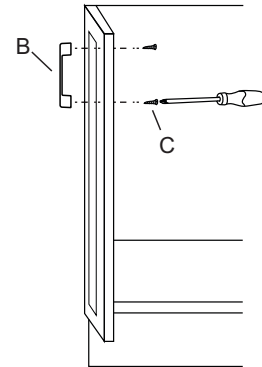
1. Place the cabinet upright. The hinges installed in the doors are designed to hook and click into the hinge plates installed in the side panel of the cabinet.
2. You will hear a click sound when the hinges are properly engaged in the hinge plates.



# Installation (continued)

## DOOR HANDEL INSTALLATION

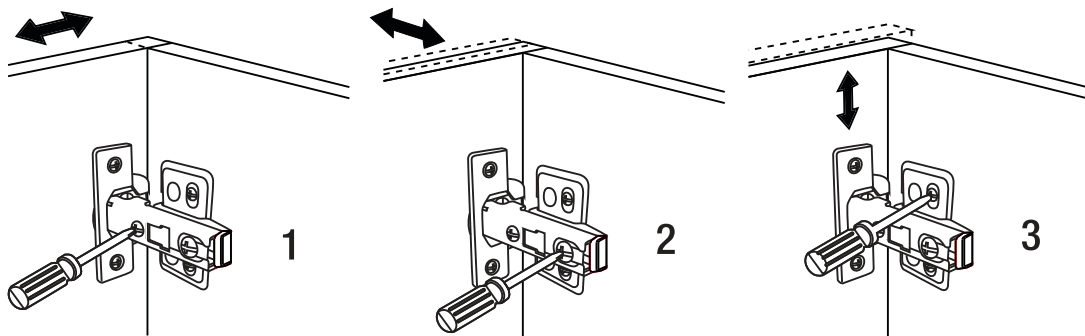
1. Insert the door handle screws (C) into the pre-drilled holes on each door.
2. Attach the door handles (B) and tightened the door handle screws (C).
3. Repeat on other door.



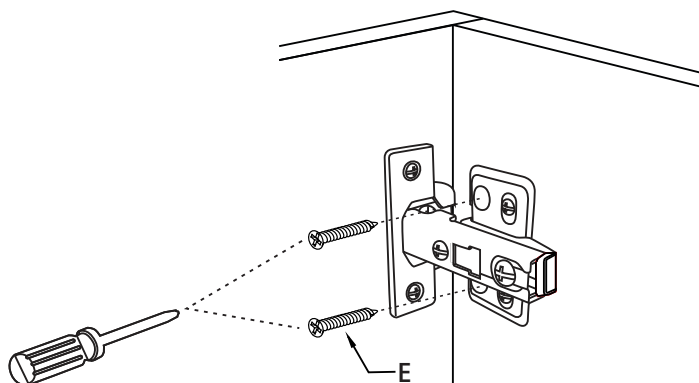
## DOOR POSITION ADJUSTMENT

If the doors need to be repositioned, the hinges can be adjusted to ensure a precise fit with the cabinet.

1. The lateral adjustment screw adjusts the door left or right.
2. Horizontal adjustment of the screws adjust the door forward and backward.
3. Vertical adjustment of the screws adjust the door up and down.



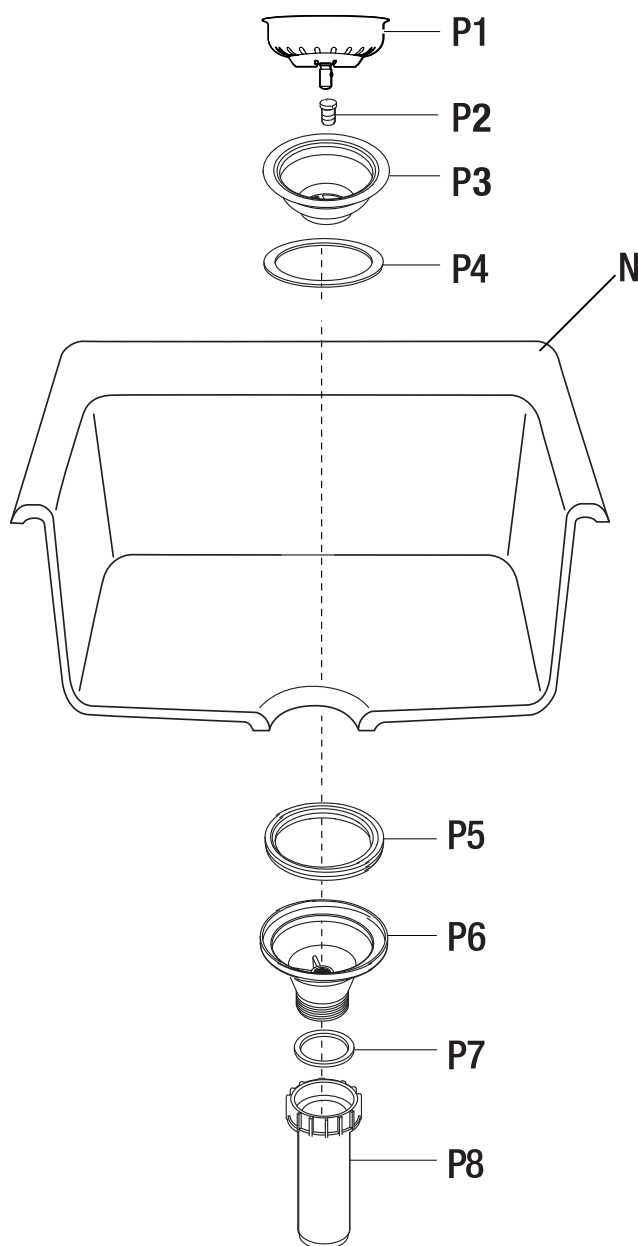
4. Lock the door hinge with fixing screw (E).



## Installation (continued)

### STRAINER INSTALLATION

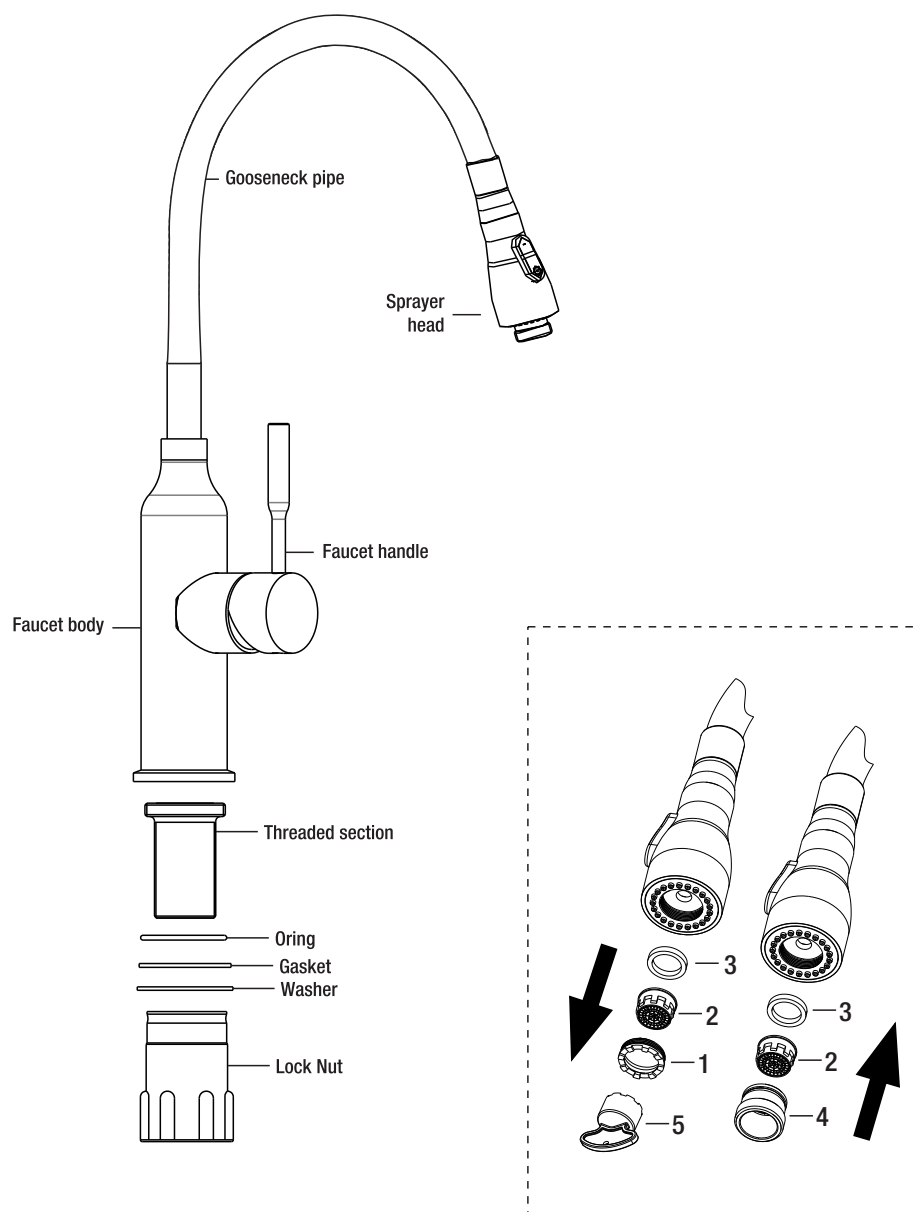
1. Place the gasket (P4) on top of the other drain hole in the sink (N), followed by the strainer bowl (P3).
2. From underneath the sink (N), position the double lip seal (P5) with grooves facing up on the drain holes, followed by the waste bowl (P6).
3. From the top of the drain hole, screw the screw (P2) into the waste bowl (P6).
4. Position the gasket (P7) at the base of the waste bowl (P6) and screw the fitting (P8) to the base of the waste bowl (P6).
5. Insert the assembled basket (P1) into the strainer bowl (P3).



# Installation

## FAUCET ASSEMBLY/INSTALLATION

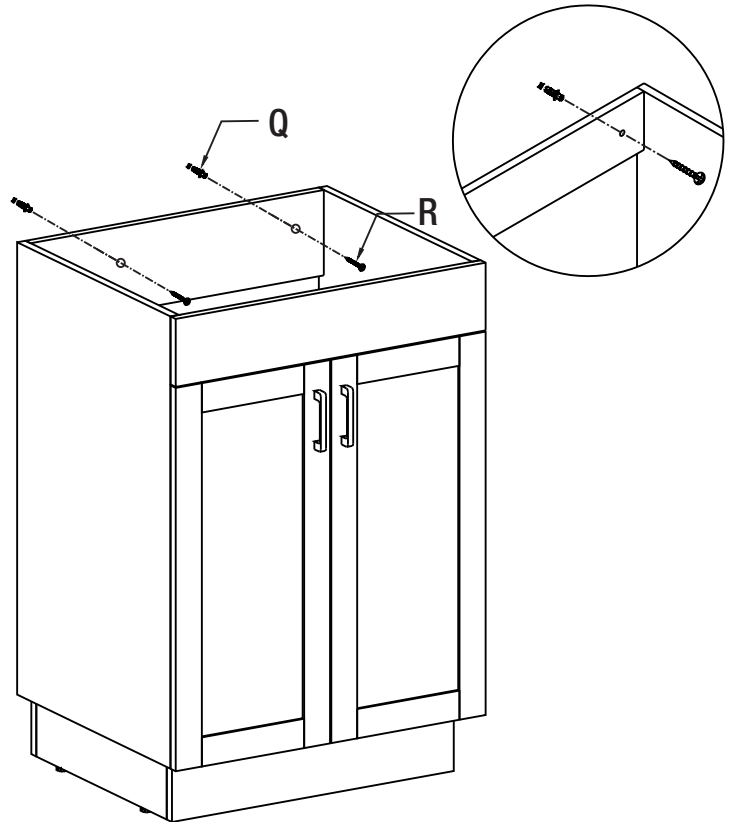
1. Carefully unpack the parts of the faucet (0). The faucet body is pre-assembled.
2. Install the threaded section onto the faucet body.
3. Place the faucet body and the o-ring carefully through the hole in the sink (N). A second person may be required to hold the body in place until the faucet installation is complete.
4. From underneath, slide the washer, gasket, and lock nut over the exposed threaded section of the faucet. Tighten the lock nut by hand until it is snug.
5. If you want to connect the faucet with garden hose, remove the aerator shell (1), aerator(2) and washer(3) from spray head by the aerator wrench (5). Then reinstall the washer (3) and aerator (2) into the spray head, and thread the connector (4) onto the spray head.



# Installation (continued)

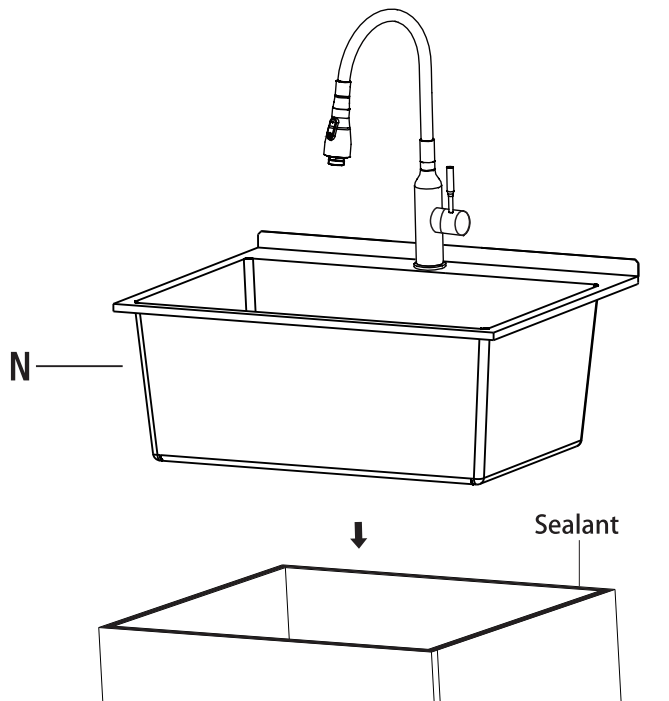
## SECURE CABINET POSITION

1. Determine where the cabinet is to be placed and mark location on the wall for the anchor(Q).
2. Drill a 8/25" (8mm) hole in the wall. Press the plastic anchor (Q) into the hole and gently tap until the flange of the anchor is against the wall surface.
3. Attach cabinet to the wall using screws (R).



## MOUNTING THE UTILITY SINK

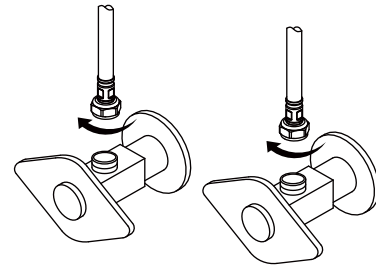
1. Carefully place a bead of sealant all around the top of the cabinet.
2. Ease the sink (N) into the cabinet, ensuring that it is placed evenly and is centered on the cabinet. Wipe off any excess sealant. Use masking tape to hold the sink in place until the sealant dries.



## Installation (continued)

### PLACEMENT

Move the assembled unit to its final location. Final hook up of the supply lines and drain system can now be completed.



## Maintenance

Problem	Possible Cause	Possible Cause
There are leaks underneath the handle.	The screw nut has come loose and the o-ring on the cartridge is dirty or damaged.	<input type="checkbox"/> Tighten the screw nut. Clean or replace the cartridge or o-ring.
The aerator leaks or has an inconsistent water flow pattern.	The aerator is dirty or misfitted. The cartridge may be clogged.	<input type="checkbox"/> Remove the aerator and check for debris in the aerator screens. <input type="checkbox"/> Remove the cartridge and check for debris. <input type="checkbox"/> Ensure the aerator is properly installed.
There are leaks from the hose underneath the deck.	The supply hose and outlet hose connection may be loose.	<input type="checkbox"/> Tighten the connection of the hoses.
The water pressure is low.	The connector underneath the deck is clogged with debris. The aerator is clogged.	<input type="checkbox"/> Turn off the water supply and disconnect the connector / aerator. <input type="checkbox"/> Unscrew the connector / aerator and clean under running water. <input type="checkbox"/> Screw the connector / aerator back. <input type="checkbox"/> Test water flow. If water pressure is still low then replace the connector / aerator.
There is no hot or cold water.	The water supply hose was accidentally kinked during installation and is limiting the water flow through.	<input type="checkbox"/> Reinstall the water supply hose.

# Care and Cleaning

## UTILITY SINK

Your sink is manufactured with the highest grade stainless steel and will provide you many years of enjoyment with the proper care.

### Do

- After use, always rinse your sink with tap water to dilute and remove deposits.
- Towel dry after use whenever possible to prevent water spots. Should water spots occur, clean with a mild solution of vinegar and water followed by a thorough rinse.
- Use liquid soap, a general household cleaner, or a weak solution of vinegar and water for regular cleaning.
- Only use plastic scouring pads recommended for use in stainless steel sinks, and only use them in the bowl of the sink. Scrub in the direction of the satin finish lines.

### Do not

- Do not allow any food, detergent, soap or grease to dry or sit for extended periods of time on the surface of the sink.
- Never use abrasive cleaning products, as they will dull and scratch the finish.
- Do not use scouring pads on the deck, as they will dull the mirror finish.
- Never use steel wool pads, as they will leave iron particles on the sink, which will cause corrosion.
- Never leave steel or cast iron pans in your sink for extended periods of time, as this can cause corrosion.

## CABINET

To maintain the surface of your cabinet, follow these tips.

### Do

- Remove dust and dry dirt with a soft, damp cloth.
- Clean grease, oil, paint and ink stains with isopropyl (rubbing alcohol). Immediately rinse with water after stain removal.

### Do not

- Do not allow your cabinet surface to come into contact with products such as acetone (nail polish remover), nail polish, dry cleaning solution, lacquer thinners, gasoline, pine oil, etc.
- Use caution when using sharp instruments that may fall and scratch the surface.