

**Features**

- 25" (635) x 22<sup>1</sup>/<sub>4</sub>" (559) x 12" (305) top mount laundry sink.
- Single extra deep compartment.
- 16 gauge 304 stainless steel.
- Rear center drain location.
- Brushed finish with highlight rim.
- Superior undercoating for added sound insulation.
- 3mm sound deadening pads on all 4 sink sides and bottom. Up to 3 times heavier than competitive models.
- Fits 30" base cabinet width.

**Components**

Product includes:  
Cutout Template  
Installation Hardware  
Installation Instructions

**Options**

TSGM2522R Stainless Steel Bottom Sink Grid  
TCBC1516 Bamboo Cutting Board  
2210R Covered Sink Strainer  
4010 Covered Disposer Strainer

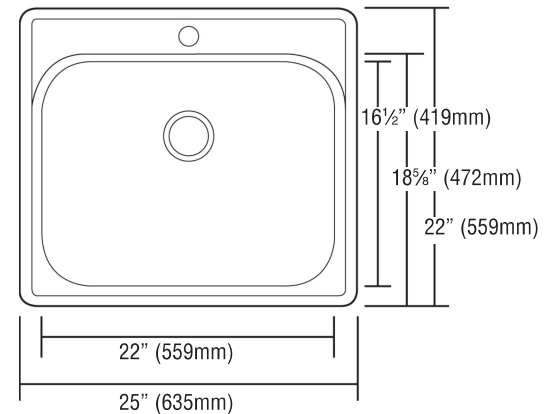
**Warranty**

- Lifetime Limited Warranty



**Specified Model**

Model	MTSB252212
Overall Dimensions	L25" x W22 <sup>1</sup> / <sub>4</sub> " x D12" 635 x 559 x 305
Bowl Dimensions	L22" x W16 <sup>1</sup> / <sub>2</sub> " x D12" 559 x 419 x 305
Drain holes:	3 <sup>5</sup> / <sub>8</sub> " (92mm)
Shipping Weight	24 lbs.
Material	16 gauge 304 stainless steel
Installation	counter top mounted
Required	template, included



**To Be Specified:**

see back for configurations available for this sink

Faucet Hole Drillings	
<input type="checkbox"/>	1 Hole
<input type="checkbox"/>	2 Holes <b>ML2</b>
<input type="checkbox"/>	2 Holes <b>MR2</b>
<input type="checkbox"/>	3 Holes
<input type="checkbox"/>	4 Holes
<input type="checkbox"/>	5 Holes

**Codes/Standards**

ASME A112.19.3/CSA B45.4

**Notes**

Install this product according to the installation instructions.