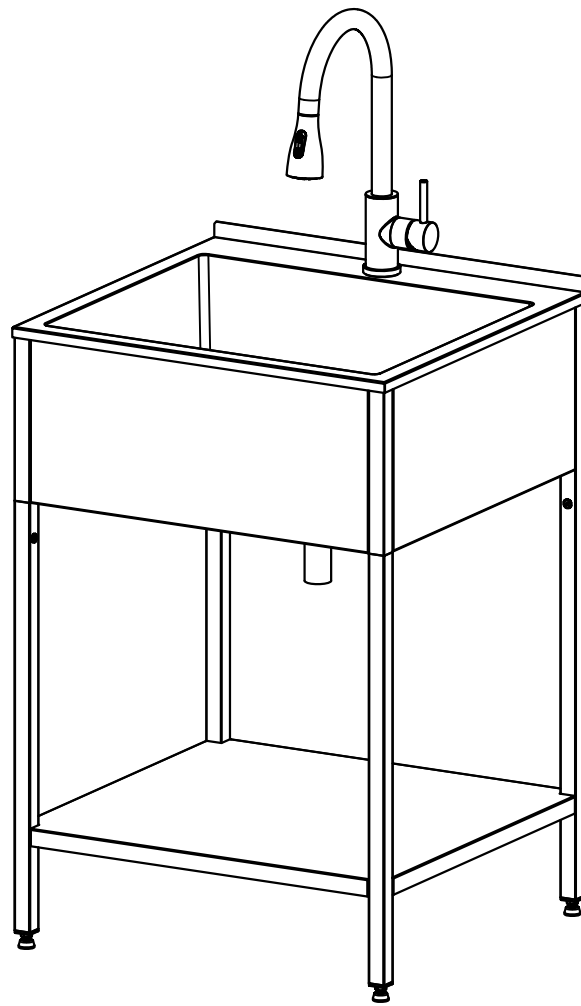
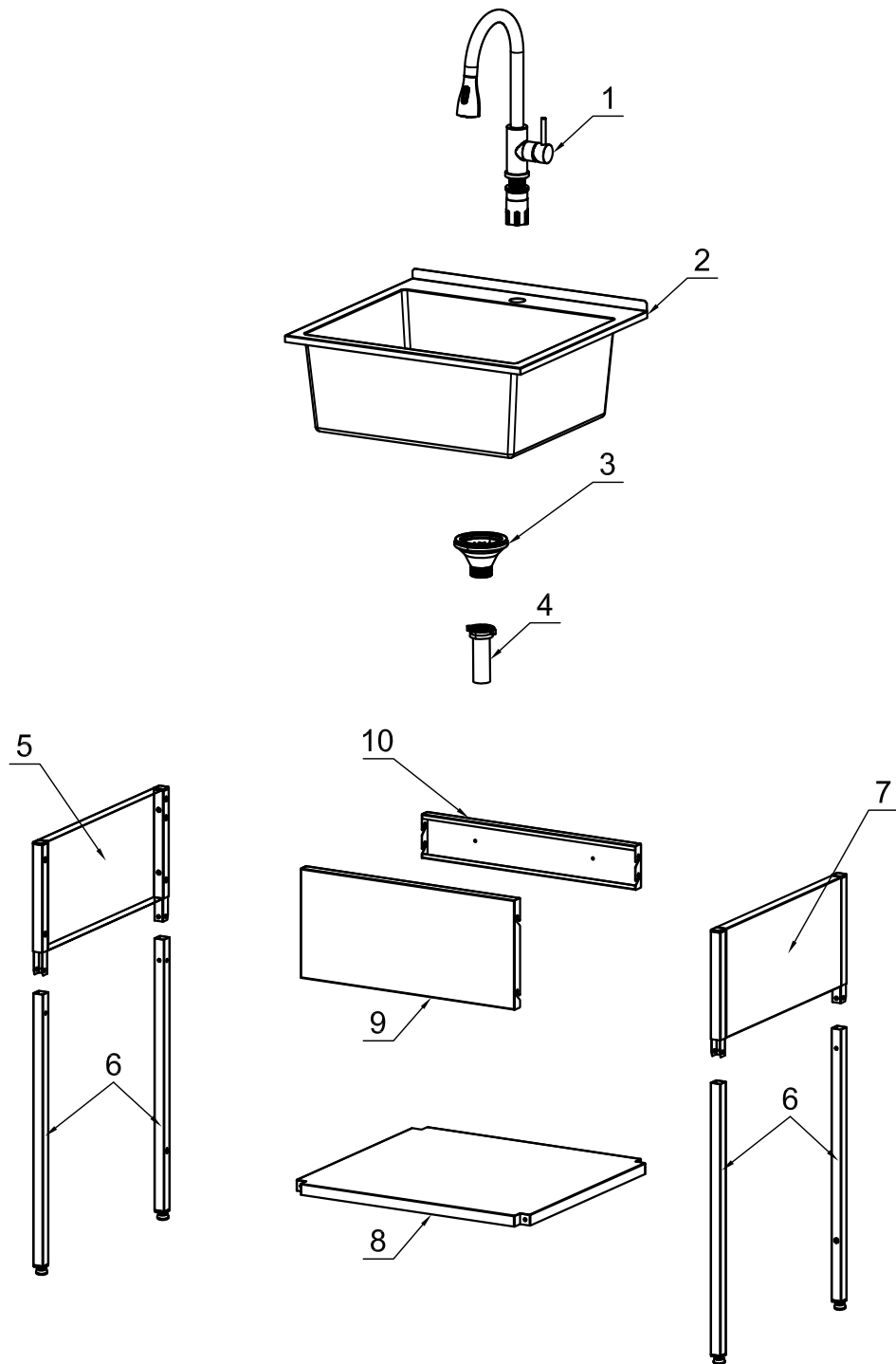
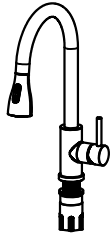
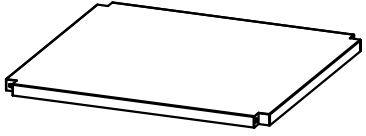
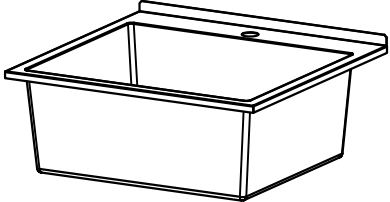
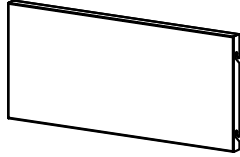



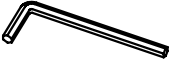
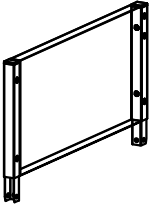

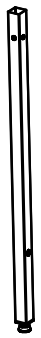

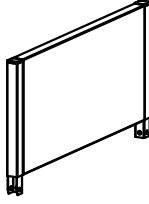


24" Economic Wash Stand User Manual



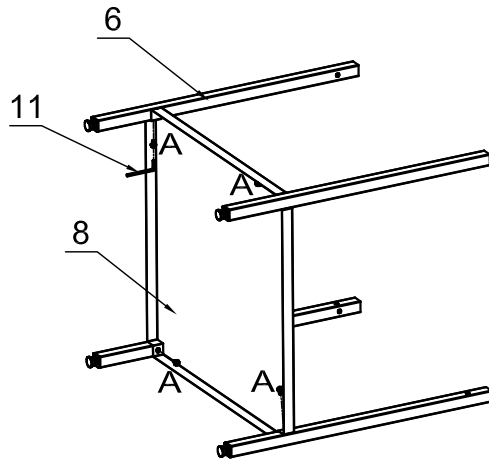
Exploded Drawing



NO.	DESCRIPTION	QTY	NO.	DESCRIPTION	QTY
1		1	8		1
2		1	9		1
3		1	10		1
4		1	11		1
5		1	A		12
6		4	B		8
7		1			

STEP 1

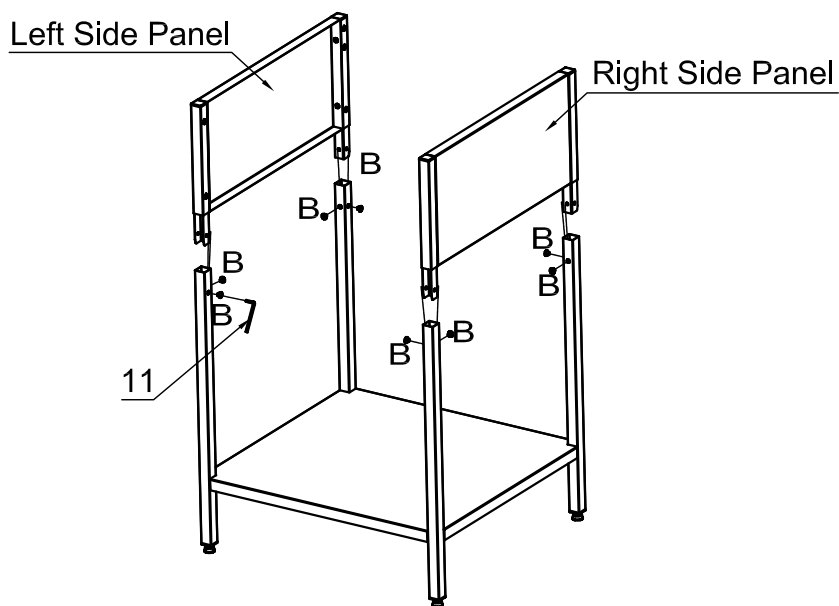
Install the Foot tube(6) on the Base plate(8),using a hexagonal wrench(11)




A  M6x12 4pcs

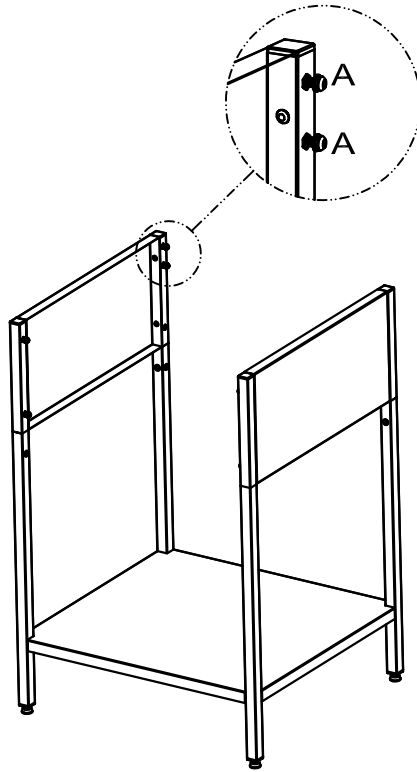
STEP 2

Insert the Left and Right side panels into the foot tubes,using a hexagonal wrench(11)

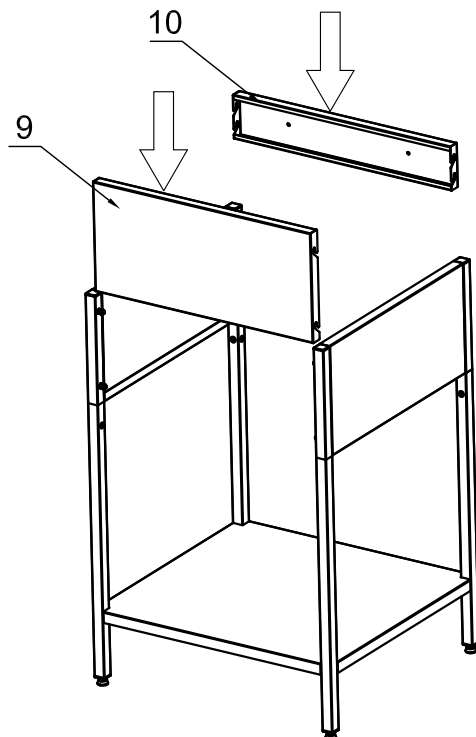


B  M6x6 8pcs

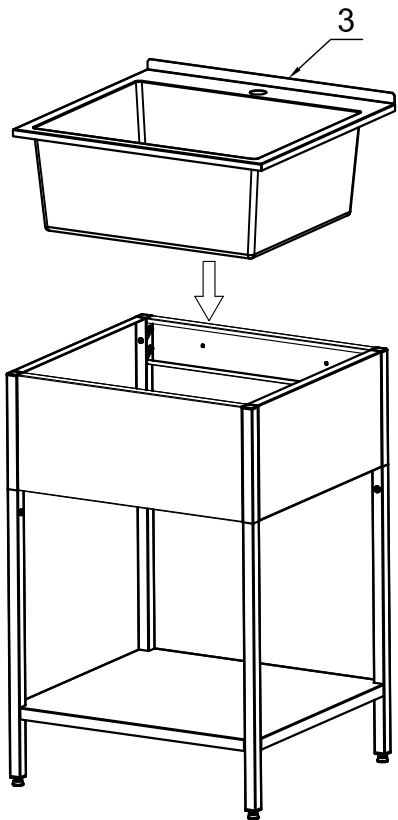
STEP 3
Pre-Install the Screw



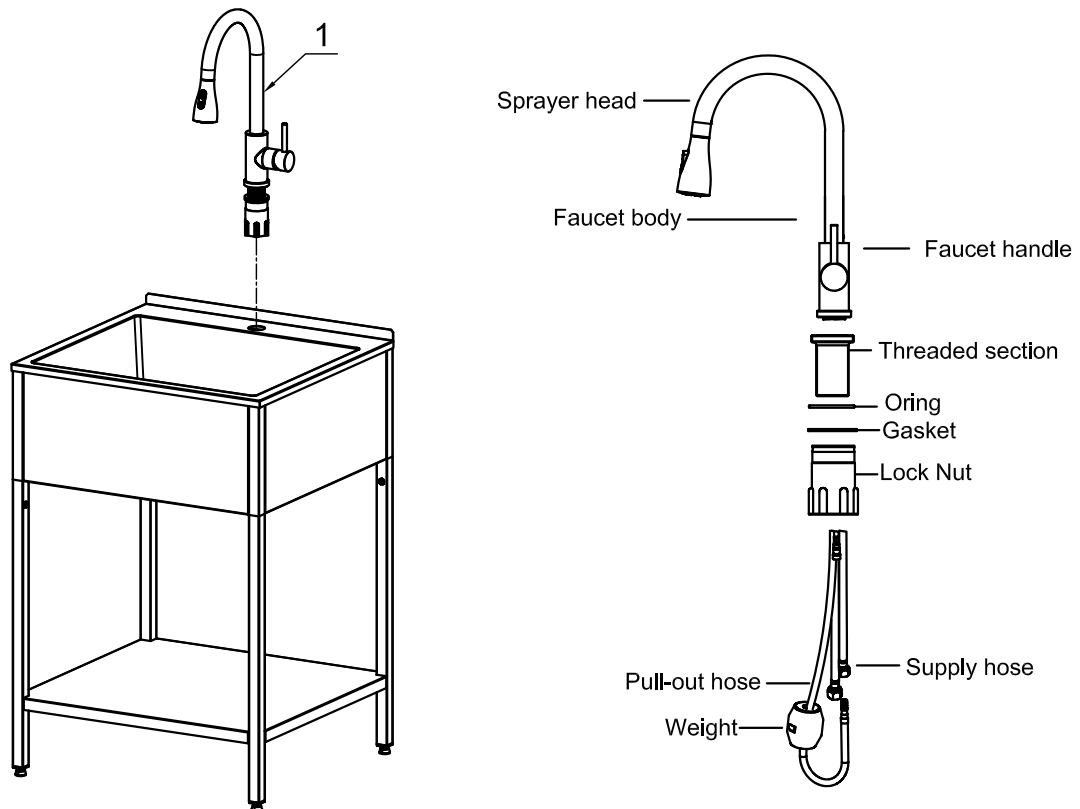
STEP 4
Slide the front panel (9) and black panel (10) into the rack



STEP 5
Installing the Sink(2)

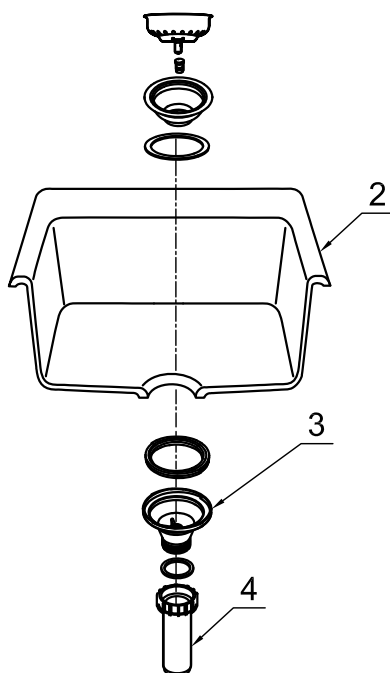


STEP 6
Installing the Faucet(1)



STEP 7

Installing the Strainer



STEP 8

Please remove the protective film before use

