

PERFORMANCE · QUALITY · CUSTOMER SERVICE

## QUIET OPERATION

- Large 3-speed blower operates at lower RPM reducing the sound level.

## DISTINCTIVE DESIGN

- Style complements ALL kitchen designs
- Electronic touch controls with blue LED lighting
- Simplicity of design preferred by homeowners
- Designed to fit perfectly in 12" upper cabinet

## EASY CLEANING

- Dishwasher-safe commercial-style baffle filters with 2 easy-grip handles
- Detergent inlet holes and grease exit holes in baffle filters for superior dishwasher cleaning

## SIMPLE INSTALLATION

- Installs easily in standard size upper cabinets or custom-built wood range hoods
- Wiring diagram label for simple electrical connection

## EASE OF OPERATION

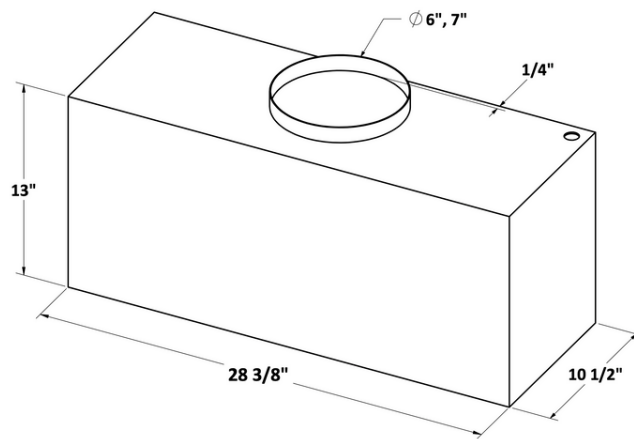
- Remote control included with purchase
- Optional automatic 5 minute shut off timer

## ENDURING QUALITY

- Commercial grade stainless steel (#304 grade) and galvanized steel construction
- LED light brightens cooking area, equivalent to 50W Halogen
- CFM and sound tested by Energy Systems Laboratory at Texas A&M University

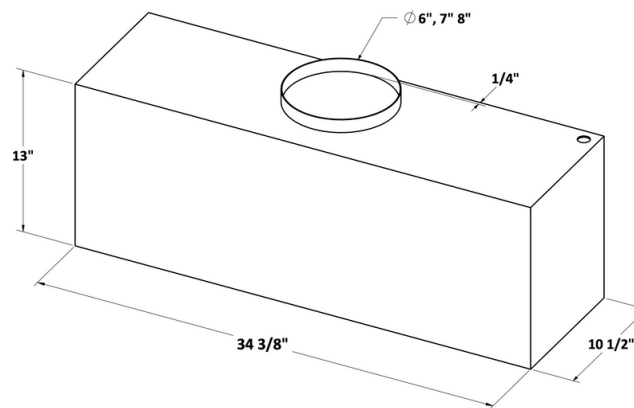


MODEL	FRONT TO BACK	WIDTH	COLOR	3-SPEED INTERNAL BLOWER	CFM	LED LIGHTS	S/S BAFFLE FLITERS	REMOTE CONTROL	DUCT COLLAR	ELECTRONIC TOUCH CONTROL
I32302RC	10 1/2"	28 3/8"	S/S	✓	290	1	✓	✓	6"	✓
I32303RC	10 1/2"	28 3/8"	S/S	✓	390	1	✓	✓	7"	✓
I32362RC	10 1/2"	34 3/8"	S/S	✓	290	1	✓	✓	6"	✓
I32363RC	10 1/2"	34 3/8"	S/S	✓	390	1	✓	✓	7"	✓
I32366RC	10 1/2"	34 3/8"	S/S	✓	600	1	✓	✓	8"	✓



### I3230 - MODELS

OPTIONAL DUCTLESS CONVERSION KIT MODEL #: 5BL-33-I36-DCK (290 & 390 CFM MODELS)



### I3236 - MODELS

OPTIONAL DUCTLESS CONVERSION KIT MODEL #: 5BL-33-I36-DCK (290 & 390 CFM MODELS)

For more information, please contact your dealer or your TRADE-WIND® representative.



800 WEST GRANT STREET  
PHOENIX, AZ 85007  
1-800-955-5737  
602-900-8500  
**T - W U S A . C O M**



TRADE-WIND Manufacturing, LLC has a policy of continuous improvements and reserves the right to modify (at any time without notice) any or all of its products, features, designs, components and specifications. For further information on installation and wiring, see the installation instructions included with the product or visit us on the web.