

# TOTO®

# CST744E(R)(G)N

## Eco Drake® Transitional, 1.28GPF

### FEATURES

- Transitional Design
- E-Max® flushing system
- Optional SanaGloss® ceramic glaze - SanaGloss glaze prevents debris, and mold from sticking to ceramic surfaces, leading to fewer chemicals.
- Close coupled commercial grade, high performance toilet
- Elongated front bowl and tank set, less seat
- Chrome trip lever
- 12" Rough-in, less supply

### MODELS

- CST744EGN  
with SanaGloss (#01 only)
- CST744EN  
Same as above less SanaGloss (#01,#03, #11, #12 #51)
- CST744ERGN  
with SanaGloss (#01 only), right-hand trip lever
- CST744ERN  
Same as above less SanaGloss (#01,#03, #11, #12 #51), right-hand trip lever

### COMPONENTS

- C744EG - Elongated Front Bowl with SanaGloss
- C744E - Elongated Front Bowl less SanaGloss
- ST744E - Tank and Cover only - Left-hand trip lever
- ST744ER - Tank and Cover only - Right-hand trip lever
- SS114 SoftClose® seat (sold separately)
- SC134 Commercial seat (sold separately)
- SC534 Commercial seat (sold separately)

### COLORS/FINISHES

- #01 Cotton
- #03 Bone
- #11 Colonial White
- #12 Sedona Beige
- #51 Ebony

### PRODUCT SPECIFICATION

The two-piece E-Max flushing system toilet shall be 1.28GPF/4.8LPF. Toilet shall have high-profile tank, elongated front bowl and chrome trip lever. Toilet shall be TOTO Model CST744EN\_\_\_\_\_.



*SanaGloss*

**E-MAX™**  
FLUSHING SYSTEM BY TOTO®

### CODES/STANDARDS

- Meets and exceeds ASME A112.19.2/CSA B45.1
- Certifications: IAPMO(cUPC), EPA Watersense, State of Massachusetts, City of Los Angeles, and others
- Code compliance: UPC, IPC, NSPC, NPC Canada, and others
- Legislative compliance: California AB715, California Green Building Code, City of Los Angeles Water Efficiency Ordinance



# CST744E(R)(G)N

Eco Drake® Transitional, 1.28GPF

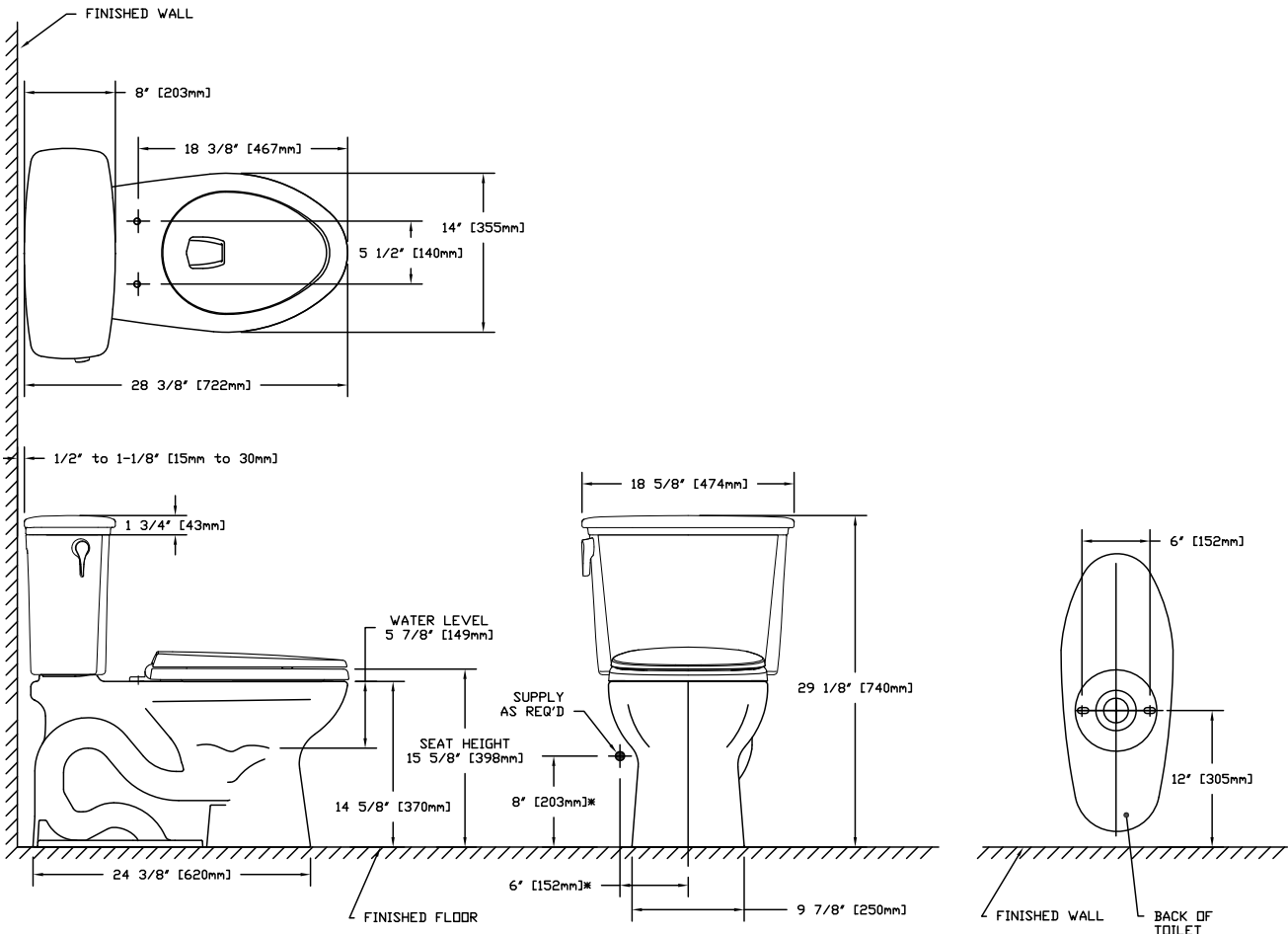
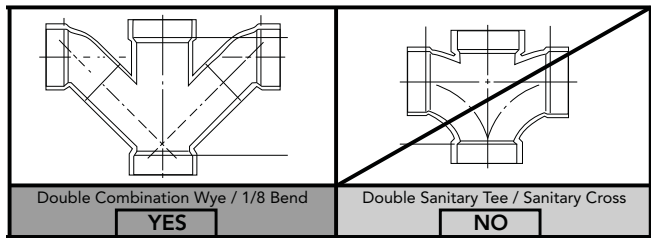
## SPECIFICATIONS

- Water Use 1.28 GPF/4.8LPF
- Flush System E-Max®
- Min. Water Pressure 8 psi (static)
- Water Surface 10-1/4" x 8-1/2"
- Trap Diameter 2-1/8"
- Rough-in 12"
- Trap Seal 2-3/8"
- Warranty One Year Limited Warranty
- Material Vitreous china
- Shipping Weight C744E(G) - 52lbs  
ST744E(R) - 36lbs
- Shipping Dimensions C744E(G)  
29-1/2" L x 16" W1  
x 10-1/4" W2 x 18-1/4" H

ST744E(R)  
20-3/4" L x 9" W x 18-1/8" H

## INSTALLATION NOTES

Back-to-Back Toilet Installations:  
TOTO recommends the use of a nationally listed, double sanitary tee-wye only, in vertical waste stacks, in accordance with the stipulations noted in the majority of nationally recognized plumbing codes.



**TOTO**

*These dimensions and specifications are subject to change without notice*