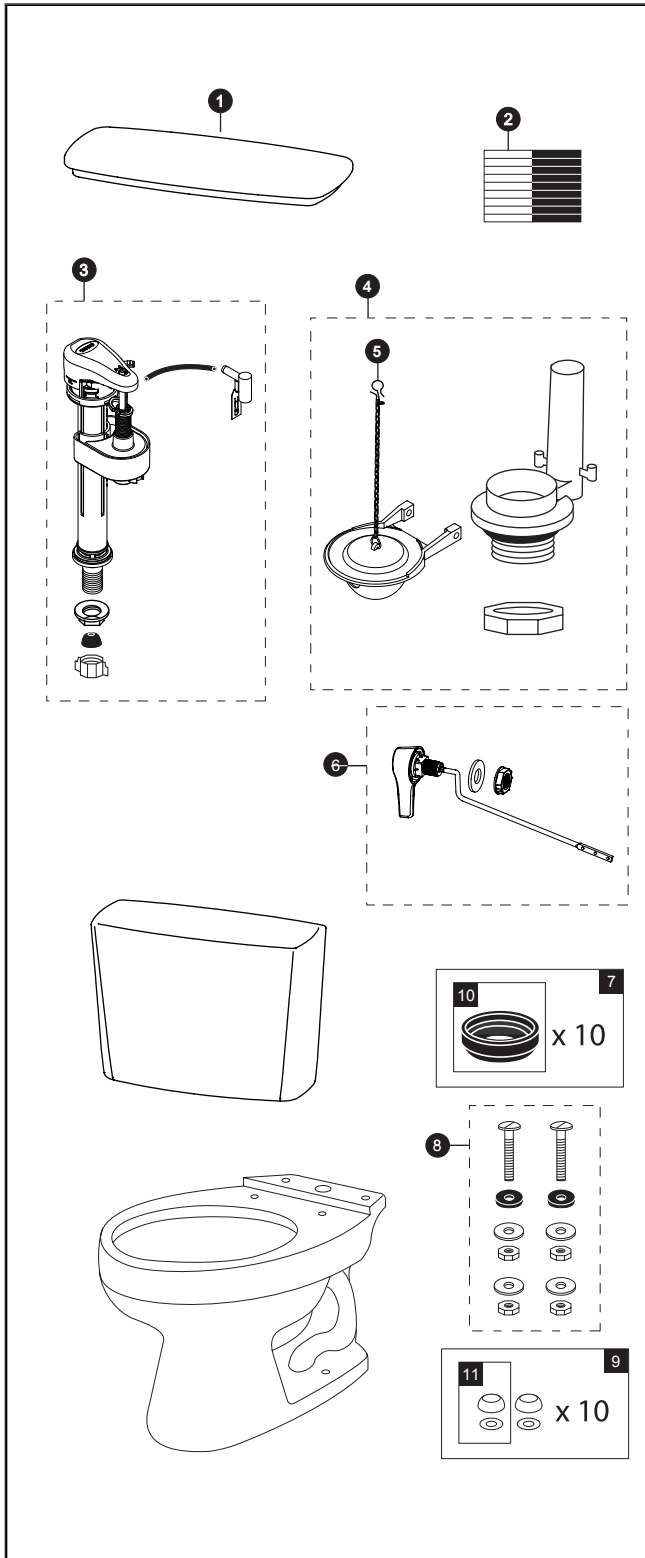


CST744EN & CST744EGN

CST744EN CST744EGN CST744ER(G)N
 ST744E ST744E ST744ER
 C744E C744EG

EcoDrake® Transitional 1.28 Gpf Toilet, Elongated, E-Max®, 12" Rough-In (including SanaGloss®)



Item	Part	Description
1	TCU744CRE#01 TCU744CRE#03 TCU744CRE#11 TCU744CRE#12 TCU744CRE#51	Tank Lid w/ Velcro Tape Tank Lid w/ Velcro Tape Tank Lid w/ Velcro Tape Tank Lid w/ Velcro Tape Tank Lid w/ Velcro Tape
2	THU107	Velcro Tape
3	TSU53A	Fill Valve
4	THU252P-A	Flush Valve Assembly with Flapper
5	THU347S	Flapper with Chain and Clip
6	THU398#CP THU399#CP	Trip Lever, Left Hand Trip Lever, Right Hand
7	THU131	Tank to Bowl Gaskets (for 10 toilets)
8	TSU01D	Tank Mounting Kit
9	THU098#01 THU098#03 THU098#11 THU098#12 THU098#51	Bolt Cap Sets (for 10 toilets) Bolt Cap Sets (for 10 toilets) Bolt Cap Sets (for 10 toilets) Bolt Cap Sets (for 10 toilets) Bolt Cap Sets (for 10 toilets)
10	9BU024E	3" Tank to Bowl Gasket
11	THU044#01 THU044#03 THU044#11 THU044#12 THU044#51	Bolt Cap Set (for 1 toilet) Bolt Cap Set (for 1 toilet) Bolt Cap Set (for 1 toilet) Bolt Cap Set (for 1 toilet) Bolt Cap Set (for 1 toilet)

Product Number Explanations

Two-Piece Toilet

(CST) Gravity Type Toilet
 (744) Model #
 (E) E-Max®
 (G) SanaGloss
 (N) Model letter
 (R) Right Hand Option

Colors

(#01) Cotton
 (#03) Bone
 (#11) Colonial White
 (#12) Sedona Beige
 (#51) Ebony

Tank

(ST) Tank
 (744) Model #
 (E) E-Max®
 (R) Right Hand Option

Finishes

(#CP) Chrome Plated

Bowl

(C) Bowl
 (744) Model #
 (E) E-Max®
 (G) SanaGloss

Actual Product May Differ Slightly from Illustration.

TOTO®