



UE930 - Lloyd™ Urinal and Electronic Flush Valve

- Unique sculpted design residential urinal
- Low consumption one gallon or less per flush
- 24" recommended rim height for comfort use
- Washout flush action
- Top inlet spud
- Designer Suite: Matching Lloyd™ toilet, air bath, pedestal and console lavatories

Vitreous China low consumption washout urinal. Includes Lloyd™ electronic flush valve, wall hangers, 5/8" inlet spud, 2" I.P.S. outlet flange, and rubber gasket. ADA Compliant.

■ **UE930**

Urinal and electronic flush valve.

□ **UT930**

Lloyd™ low consumption washout urinal only.

□ **TEY1DNC-42**

Lloyd™ electronic flush valve only, 1.0 Gpf or less.

*Colors:*

*Standard #01 Cotton*

*Optional See price book for additional colors*

**Note:**

*The TOTO Lloyd™ urinal must use the supplied Lloyd™ Electronic Urinal Flushometer Valve - 1.0 Gpf. (TEY1DNC-42)*



# UE930 Lloyd™ Urinal and Electronic Flush Valve

## DESIGN

Designed to coordinate with TOTO's Lloyd™ Design Suite. Durable vitreous china offers years of quality use.

## SPECIFICATIONS

Water Use: 0.5-1.0 Gpf  
 Flush System: Spreader Nozzle  
 Warranty (China): Five Year Limited Warranty  
 Warranty (EFV): Three Year Limited Warranty  
 Material: Vitreous china

Height (Urinal Only): 29-1/4"  
 Width: 16-1/2"  
 Rim: 14"

Shipping Weight: **UE930**  
 57.3 lbs.

Shipping Dimensions: **UE930**  
 30-5/16"L x 15-1/8"W  
 x 17-3/4"H

Cubes: 4.7 ft<sup>3</sup>

*Fixture dimensions and hydraulic performance meet or exceed ANSI/ASME standard A112.19.2 and CAN/CSA B 45 requirements.*

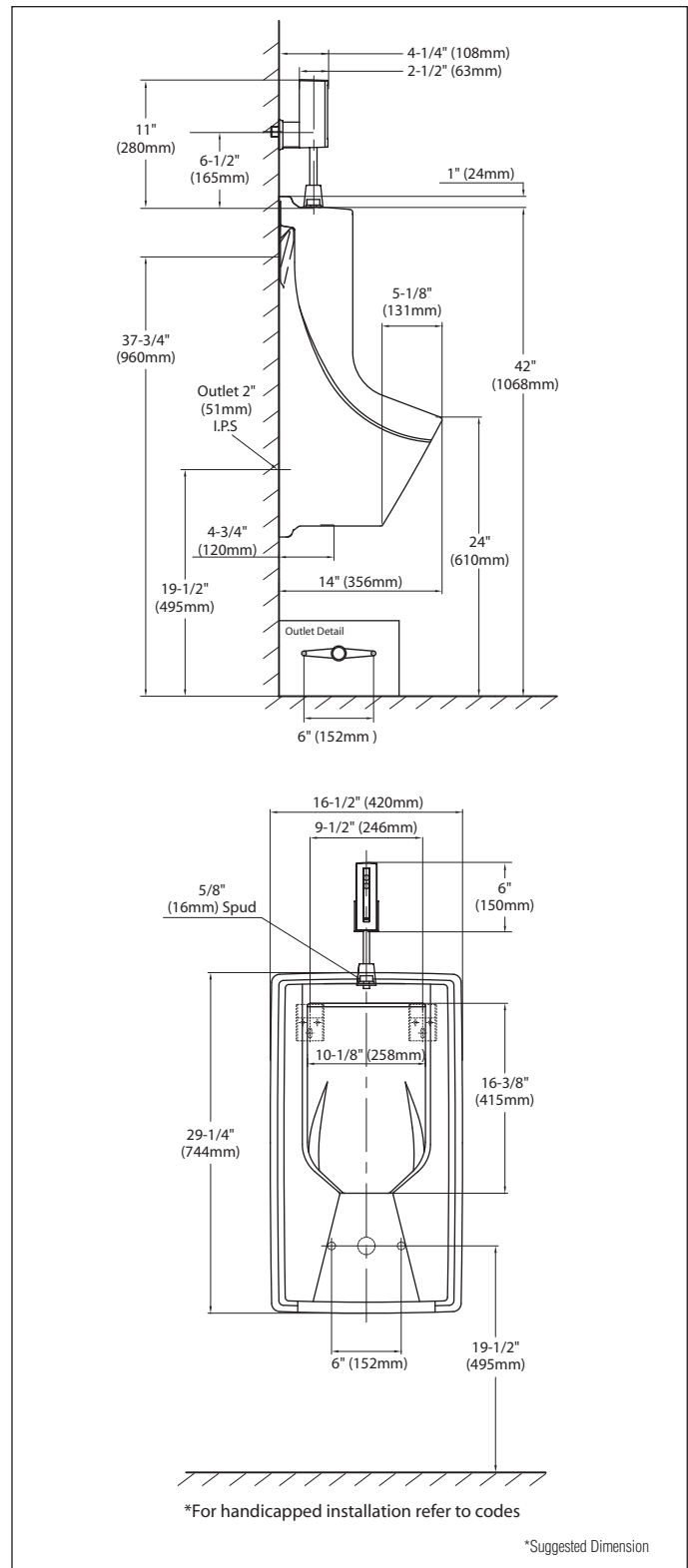
*Listing and approval: C-UPC, ASSE, City of Los Angeles, State of MA, and others*



*Meets the American Disabilities Act Guidelines and ANSI A117.1 requirements where installed so top of rim is no higher than 17" from the finished floor.*

*Recommended Carrier:  
 Jay R. Smith 0636 (Wall Hanger)  
 0637 (Wall Hanger with bottom)*

*These dimensions and specifications are subject to change without notice.*



# Battery Powered (3V, DC) Lloyd™ Sensor Urinal Flush Valve, Exposed - 1.0 GPF

To be specified:

**Sensor Urinal Flush Valve**

- Complete Set, Nickel Chrome Plated Finish
- Central Rough - TEY1DNC-42

Complete set supplied with:

- 5/8" Vacuum Breaker
- Spud Nut & Escutcheon

*Meets the American disability Act Guidelines and ANSI A117.1 requirements for people with disabilities.*



TEY1DNC-42

### AUTOMATIC FLUSHING SYSTEM

TOTO, the world leader in advanced plumbing systems, provides sensor operated flush valves for facilities demanding the finest sanitation equipment for busy restrooms. “Hands-free” technology effectively reduces unsanitary conditions from unflushed fixtures.


### FUZZY LOGIC MICROPROCESSOR

“Fuzzy logic” controlled flushing offers the ultimate water conservation without sacrificing performance. The new TOTO urinal flush valves utilize a fuzzy logic control microprocessor which measures the duration and frequency of use, and flushes an appropriate volume (0.5 – 1.0 gpf). In facilities with periods of frequent use, water conservation is maximized with the use of fuzzy logic technology.

### CENTRAL ROUGH-IN

TOTO’s Lloyd™ sensor flush valve has a central rough-in.

### SPECIFICATIONS

<b>Product</b>	TEY1DNC–Complete set (5/8” V.B.) Central Rough, Chrome Plated Finish
<b>Power supply</b>	Two AA alkaline batteries, 2-year life, based on 4000 cycles per month
<b>Detection range</b>	Self-adjusting to environment
<b>Water supply pipe</b>	1/2” NPT
<b>Discharge quantity</b>	Fuzzy logic adjusted flush volume at 28psi (0.5-1.0 GPF)
<b>Urinal type</b>	Low consumption wash down and jetted flush design urinal
<b>Trap seal protection</b>	Automatic flushing once every twenty-four (24) hours, if not used
<b>Ambient temperature</b>	33°-104°F (1°-40°C)
<b>Supply water pressure</b>	10 psi - 100 psi*
<b>Warranty</b>	Limited three (3) year warranty on all component parts. Details available upon request.
<b>Listings</b>	 ASSE 1037

*These dimensions and specifications are subject to change without notice.*

*\*Water pressures over 80 psi are not recommended for most plumbing fixtures.*

### SUGGESTED ENGINEERING SPECIFICATION:

TOTO Model No. TEY1DNC-42 Automatic infrared sensor activated urinal flush valve. Heavy-duty zinc die cast cover with nickel-chrome finish. Vandal resistant hex head screws. 1.0 gpf. Two AA alkaline batteries Included providing a 2-year life at 4,000 cycles/month. Solenoid with self-cleaning mechanism. Automatic flush every twenty four hours if not used. Vacuum breaker included with accessories.

**TOTO®**

TOTO U.S.A., INC. • 1155 Southern Road, Morrow, GA 30260

Tel. (770) 282-8686 • Fax. (770) 282-8701 • [www.totousa.com](http://www.totousa.com)

Printed in U.S.A. © TOTO LTD. 09/05 #H80120

Printed on recycled paper 

REV 10/05