

## Guinevere® Handshower Set

### FEATURES

---

- Maximum flow rate of 2.5 gpm (9.51 lpm)
- Single spray handshower
- Includes 60" metal shower hose, shower holder and shower elbow
- 1/2" NPT connection

### COLORS/FINISHES

---

- #CP Polished Chrome
- #RB Oil Rubbed Bronze

### OPTIONAL

---

- TS100GR#CP      30" Slide Bar

### CODES/STANDARDS

---

- Meets or exceeds ASME A112.18.1/CSA B125.1
- Certifications: IAPMO(cUPC), State of Massachusetts and others
- Code Compliance: UPC, IPC, NSPC, NPC Canada, and others



### PRODUCT SPECIFICATION

---

The handshower shall have a maximum flow rate of 2.5 gpm (9.51 lpm). Product shall be a single spray. Product shall include 60" metal shower hose, shower holder and shower elbow. Product shall have 1/2" NPT connection. Handshower shall be TOTO Model TS970F2#\_\_ \_\_.



# TS970F2

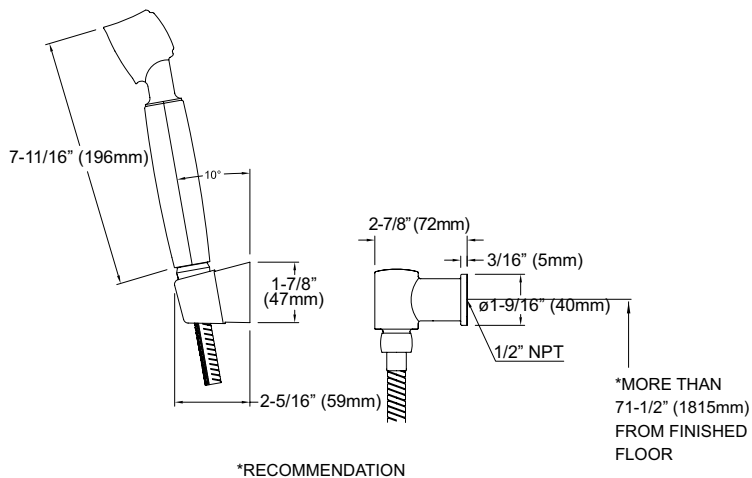
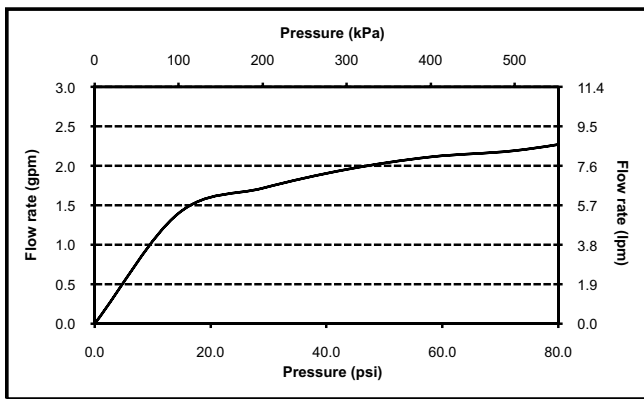
## Guinevere® Handshower Set

### SPECIFICATIONS

- Warranty: Lifetime Limited Warranty (Residential Use)  
One Year (Oil Rubbed Bronze)  
One Year (Commercial Use)
- Material: Brass/Plastics
- Shipping Weight: 4.3 lbs.
- Shipping Dimensions: 12-1/2" L x 10-3/4" W x 3-1/2" H
- Maximum Flow Rate: 2.5 gpm (9.51 lpm)

### INSTALLATION NOTES

Optional Accessories:  
TS100GR Slide Bar sold separately.



**TOTO®**

These dimensions and specifications are subject to change without notice