

To be specified:

Sensor Toilet Flush Valve

- Complete Set, Surface Mount, Satin Finish (14" x 12" cover plate)
 - Back Spud Wall - TET2GN31#SS (1-1/2" V.B.)
 - Top Spud - TET2GN32#SS (1-1/2" V.B.)
 - Back Spud Floor TET2GN33#SS (1-1/2" V.B.)

Supplied with:

- Vacuum Breaker & Angle Stop Set -VB13RB-31 (Back Spud Wall)
 - 1" Angle Stop - 10077t5
 - 1 1/2" Vacuum Breaker - 10075t3
 - Outlet Tube - TH559EDV176
 - Sweat Solder Kit - SJ3
- Vacuum Breaker & Angle Stop Set -VB13RB-32 (Top Spud)
 - 1" Angle Stop - 10077t5
 - 1 1/2" Vacuum Breaker - 10075t3
 - Outlet Tube - TH559EDV177
 - Sweat Solder Kit - SJ3
- Vacuum Breaker & Angle Stop Set -VB13RB-33 (Back Spud Floor)
 - 1" Angle Stop - 10077t5
 - 1 1/2" Vacuum Breaker - 10075t4
 - Outlet Tube - TH559EDV175
 - Sweat Solder Kit - SJ3

Meets the Americans with Disabilities Act guidelines and ANSI A117.1 requirements for people with disabilities



TET2GN32#SS

AUTOMATIC FLUSHING SYSTEM

TOTO, the world leader in advanced plumbing systems, provides sensor operated flush valves for facilities demanding the finest sanitation equipment for busy restrooms. "Hands-free" technology effectively reduces unsanitary conditions from unflushed fixtures.

SELF-GENERATING POWER SYSTEM

TOTO's new technology of automatic generator flush valves offers easy installation without the cost and downtime required to install power supplies and wiring for each valve. A hydro-powered turbine charges the power supply during usage, eliminating the need for a battery replacement or consumption of external power for up to 10 years.

SUPERIOR PISTON VALVE

TOTO's piston valve technology is a marked improvement over traditional rubber diaphragm type valves. Longer piston travel and a self-cleaning stainless steel screen to capture debris reduces common problems such as continuous running and flooding. The piston seat itself will not warp or mis-seal, reducing repair and maintenance costs. A micro-porous cup seal keeps the piston self-lubricated upon each activation with the incoming water supply.

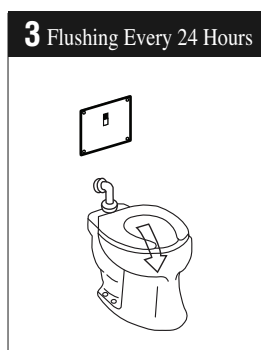
OPERATING PROCEDURE A sanitary environment without using the hands.



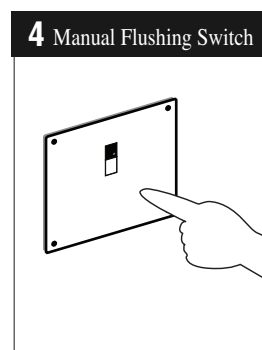
1 Infrared Sensor
The infrared sensor detects a user sitting on the toilet seat.



2 Flushing
When the user stays in place longer than 6 seconds then moves away, the controller sends a signal to the operating unit to automatically trip the flush valve.



3 Flushing Every 24 Hours
If toilet is not used, the system automatically flushes every 24 hours as a maintenance and hygienic precaution.



4 Manual Flushing Switch
Use the manual flush switch for maintenance and/or emergencies.


ECOPOWER SYSTEM

Designed for new and retrofit installations, TOTO's EcoPower technology offers easy installation by helping you avoid installing power supplies for each flush valve.



Self-Generating EcoPower® System Sensor Toilet Flush Valve, Concealed (14" x 12") - 1.6 GPF

SPECIFICATIONS

Product	TET2GN31#SS-Complete Set (1 1/2" V.B.), Back Spud Wall, Satin Finish TET2GN32#SS-Complete Set (1 1/2" V.B.), Top Spud, Satin Finish TET2GN33#SS-Complete Set (1 1/2" V.B.), Back Spud Floor, Satin Finish
Power supply	Hydro-Power Charge, 10 years based on 12 flushes per day. (<i>backup battery: 4 years at 4,000 cycles per month without recharging</i>)
Detection range	Self-adjusting to environment
Detection time	Factory setting at six (6) seconds minimum
Water supply	1" NPT
Discharge quantity	Factory setting at 1.6 GPF/6.0 LPF
Toilet type	Flushometer type bowl
Ambient temperature	32°-104°F (0°-40°C)
Supply water pressure	30 psi (flowing) - 125 psi* (a minimum flow rate of 23 GPM)
Trap seal protection	Automatic flushes once after twenty-four (24) hours of non-use
Warranty	Limited three (3) year warranty on all component parts. Details available upon request.
Listings	 A.S.S.E. 1037

These dimensions and specifications are subject to change without notice.

*Water pressures over 80 psi are not recommended for most plumbing fixtures.

SUGGESTED ENGINEERING SPECIFICATION:

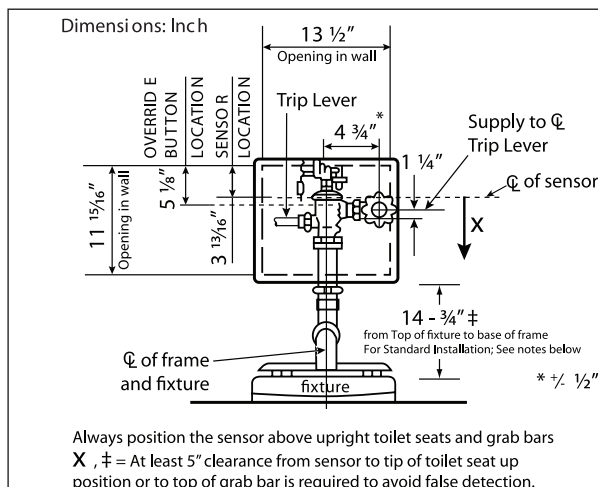
TOTO® Model No. _____ Automatic infrared sensor activated, piston toilet flush valve. Heavy-duty 14"x12" Stainless Steel coverplate with Satin finish. Vandal resistant hex head screws. Automatic sensor adjustment on installation. Manual override button. Piston valve with stainless steel self-cleaning debris screen and Solenoid with self-cleaning

mechanism. Automatic flush every twenty four hours if not used. Angle stop and vacuum breaker included with accessories. Electrical Sensor Component separated from water body of valve and sealed in waterproof compartment. Through the use of TOTO's EcoPower® Flush Valves, using the valve 12 flushes per day will fully recharge the valve for up to 10 years.

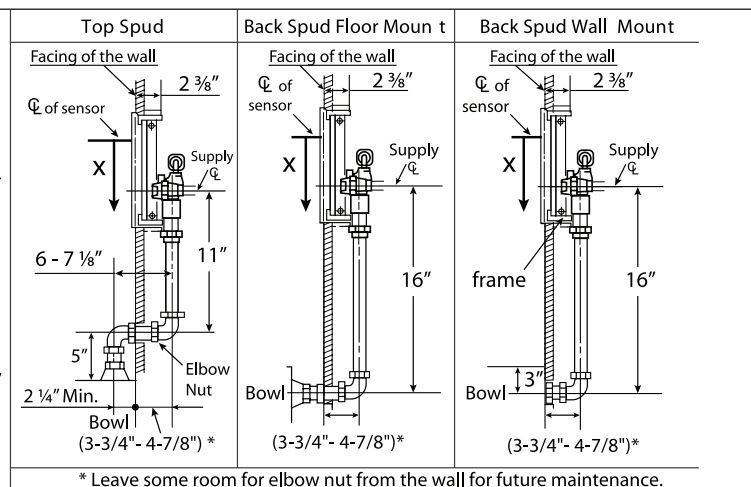
Min space requirement in wall is 7" (178mm).

Do not place grab bars in front of sensor for ADA stalls

DIAGRAM:



RECOMMENDED INSTALLATION:



TOTO®

TOTO U.S.A., INC. • 1155 Southern Road, Morrow, GA 30260

Tel. (770) 282-8686 • Fax. (770) 282-8701 • www.totousa.com

Printed in U.S.A. © TOTO LTD. 02/09 #H80170

Printed on recycled paper 