

## Vivian™ Deck-Mount Tub Filler Trim with Lever Handles and Handshower

### FEATURES

---

- Lever handles
- Solid brass construction
- Includes handshower and 60" metal shower hose
- Handshower shall have a maximum flow rate of 2.5 gpm (9.5 lpm)
- For use with the Deck-Mount Tub Filler with Handshower Valve (TBMV)



### COLORS/FINISHES

---

- #CP Polished Chrome
- #BN Brushed Nickel
- #PN Polished Nickel

### CODES/STANDARDS

---

- Meets or exceeds ASME A112.18.1/CSA B125.1
- Certifications: IAPMO(cUPC), State of Massachusetts and others
- Code Compliance: UPC, IPC, NSPC, NPC Canada, and others



### PRODUCT SPECIFICATION

---

Two-handle deck-mounted tub filler shall have a solid brass construction. Product shall have lever handles. Product shall include handshower and 60" metal shower hose. Product requires TBMV valve, sold separately. Product shall be TOTO Model TB220S1# \_\_\_\_.

# TB220S1

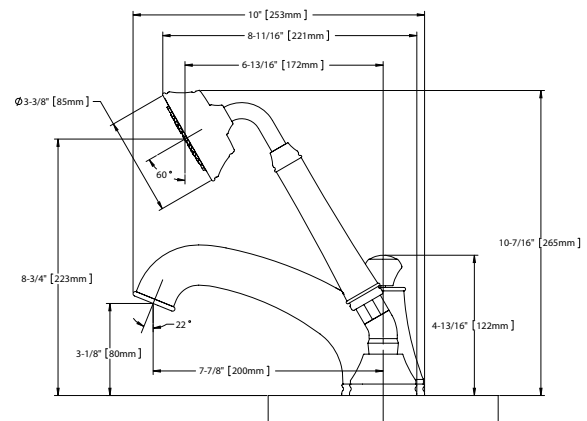
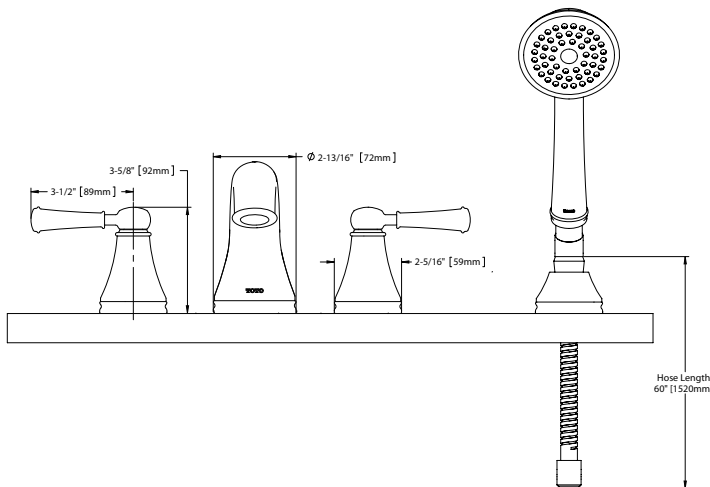
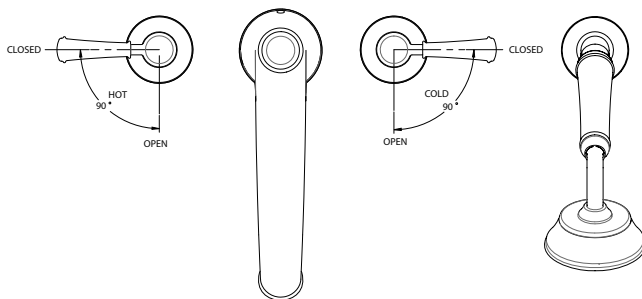
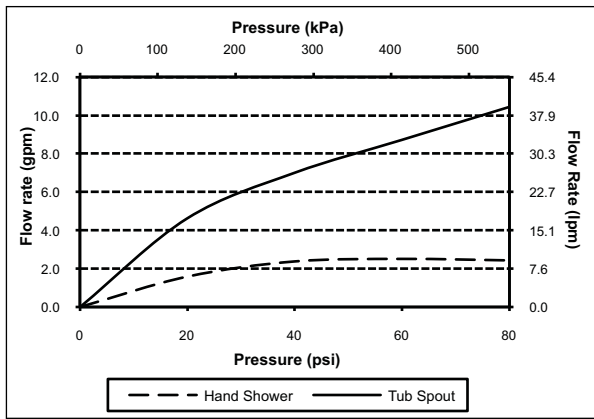
## Vivian™ Deck-Mount Tub Filler Trim with Lever Handles and Handshower

### SPECIFICATIONS

- Warranty: Lifetime Limited Warranty (Residential Use)  
One Year (Commercial Use)
- Material: Brass
- Shipping Weight: 9.7 lbs.
- Shipping Dimensions: 11-1/2" L x 8-3/8" W x 5-7/8" H

### INSTALLATION NOTES

**VALVE REQUIRED:**  
Deck-mount tub filler with handshower valve model TBMV sold separately.



**TOTO®**

These dimensions and specifications are subject to change without notice