

TOTO®

HDR100#GY Sensor Activated Clean Dry™ High Speed Hand Dryer

To be specified:

Clean Dry High Speed Hand Dryer

- AC Powered, Continuous operation up to 60 secs.
- HDR100#GY

Quiet Operation, Fast Drying (12 seconds)

TOTO's High Speed Hand Dryer is equipped with a very fast, quiet motor. Wide air nozzle dries hands fast and evenly. Clean Dry™ dries hands in 12 seconds with low noise level, rating of 62 dB for comfortable use.

Hygienic

- Touchless, infra red sensor activated operation
- Reusable, washable filter for clean, fresh air
- Drain tray collects water drips from hands to keep the restroom environment clean and dry.

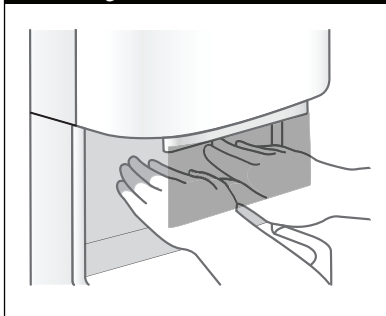
Economical

Low power consumption; designed for very easy installation



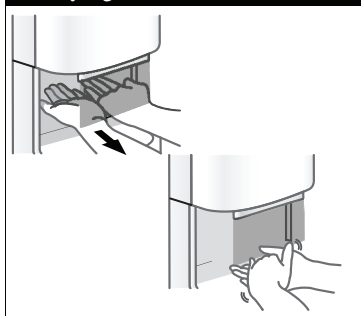
OPERATING PROCEDURE A sanitary environment with sensor activated operation.

1 Placing Hands



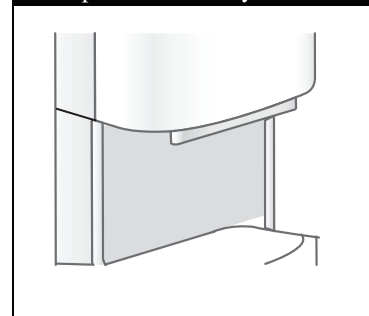
The infra red sensor detects a user's hands placed beneath the exhaust port.

2 Drying



Pull your hands back slowly while air is blowing; turn hands and reach inside again. Rub hands together; high speed hand dryer dries hands within twelve seconds.

3 Stops Automatically




After hands are removed from the sensor's detection zone, or after sixty (60) seconds of continuous operation, the Hand Dryer automatically stops.

HDR100#GY

Sensor Activated Clean Dry™ High Speed Hand Dryer

SPECIFICATIONS

| | |
|------------------------------|--|
| Product | HDR100#GY, Clean Dry™ High Speed Hand Dryer |
| Power Rating | 120V AC, 4.25 Amps, 60 Hz, 510 W |
| Power Connection | Hardwired |
| Power Saving Function | Automatically turns OFF when hands are removed or after 60 seconds of use |
| Decibel Rating | 62dB |
| Air Speed | 224 mph (100 meters/second); 19,950 LFM (linear feet per minute) |
| Dry Time | 12 seconds* |
| Drain Tray Capacity | 0.20 gal (700 ml) |
| Ambient temperature | 32°-104°F (0°-40°C) |
| Size | 9-5/8" x 18-1/2" x 6-5/16" |
| Weight | 10 lbs (4.5kg) |
| Warranty | Limited 1 year warranty on all parts. Details available upon request. |
| Listings |  Product complies with the requirements of UL507 and CSA C22.2 #113-M1984 |

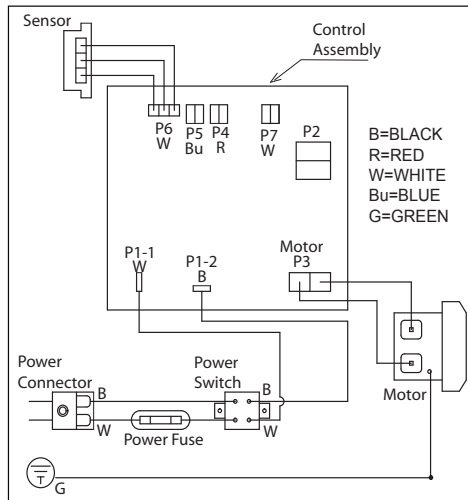
*Per tests performed at TOTO Lab.
These dimensions and specifications are subject to change without notice.

SUGGESTED ENGINEERING SPECIFICATION:

TOTO Model No. _____
Automatic infrared sensor activated, high speed hand dryer.
120 V AC power hardwiring required. Decibel rating of 62

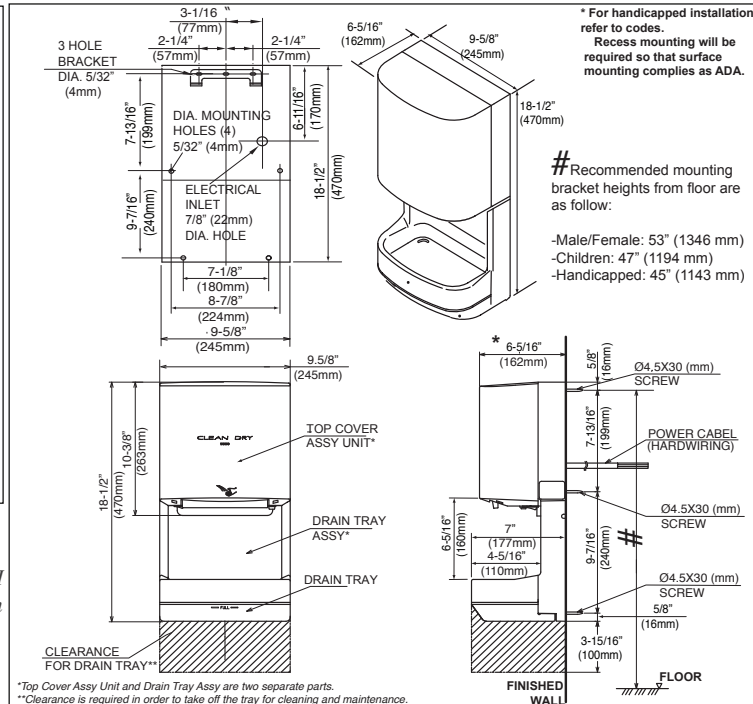
dB for low noise level while providing 224 mph air speed
for fast drying. Low power consumption of 510 Watts.
Hygienic Drain Tray to collect water from hands.

WIRING DIAGRAM:



Meets the American Disabilities Act Guidelines, ANSI A117.1 and CSA B651 requirements when mounted in a recessed wall where the front surface is not more than 4" (102mm) from finished wall and max. height of air blower outlet from finished floor is 47-1/4" (1200mm).

ROUGH-IN:



TOTO®

TOTO® U.S.A., INC. • 1155 Southern Road, Morrow, GA 30260
Tel. (888) 295-8134 • Fax. (770) 282-8701 • www.totousa.com
Printed in U.S.A. © TOTO® LTD. 07/08 #J90100

Printed on recycled paper 

REV 06/09