

Enameled Cast Iron Bathtub

FEATURES

- 60-3/8" x 36-1/4" x 22-1/4"
- Elegant, deep soaking design
- Cast iron construction provides years of durability
- Slip-resistant surface
- Stainless steel grab bars

COLORS/FINISHES

- Shell Color
 - #01 Cotton
 - #12 Sedona Beige

CODES/STANDARDS

- Meets and exceeds ASME A112.19.1/CSA B45.2
- Certifications: IAPMO(cUPC), State of Massachusetts, City of Los Angeles and others
- Code Compliance: UPC, IPC, NSPC, NPC Canada, and others



PRODUCT SPECIFICATION

The Enameled Cast Iron Bathtub construction shall prove the ultimate in strength and durability, while a slip-resistant surface enhances safety in the bath. Cast Iron Bathtub shall be TOTO Model FBY1500P____.

FBY1500P

Enameled Cast Iron Bathtub

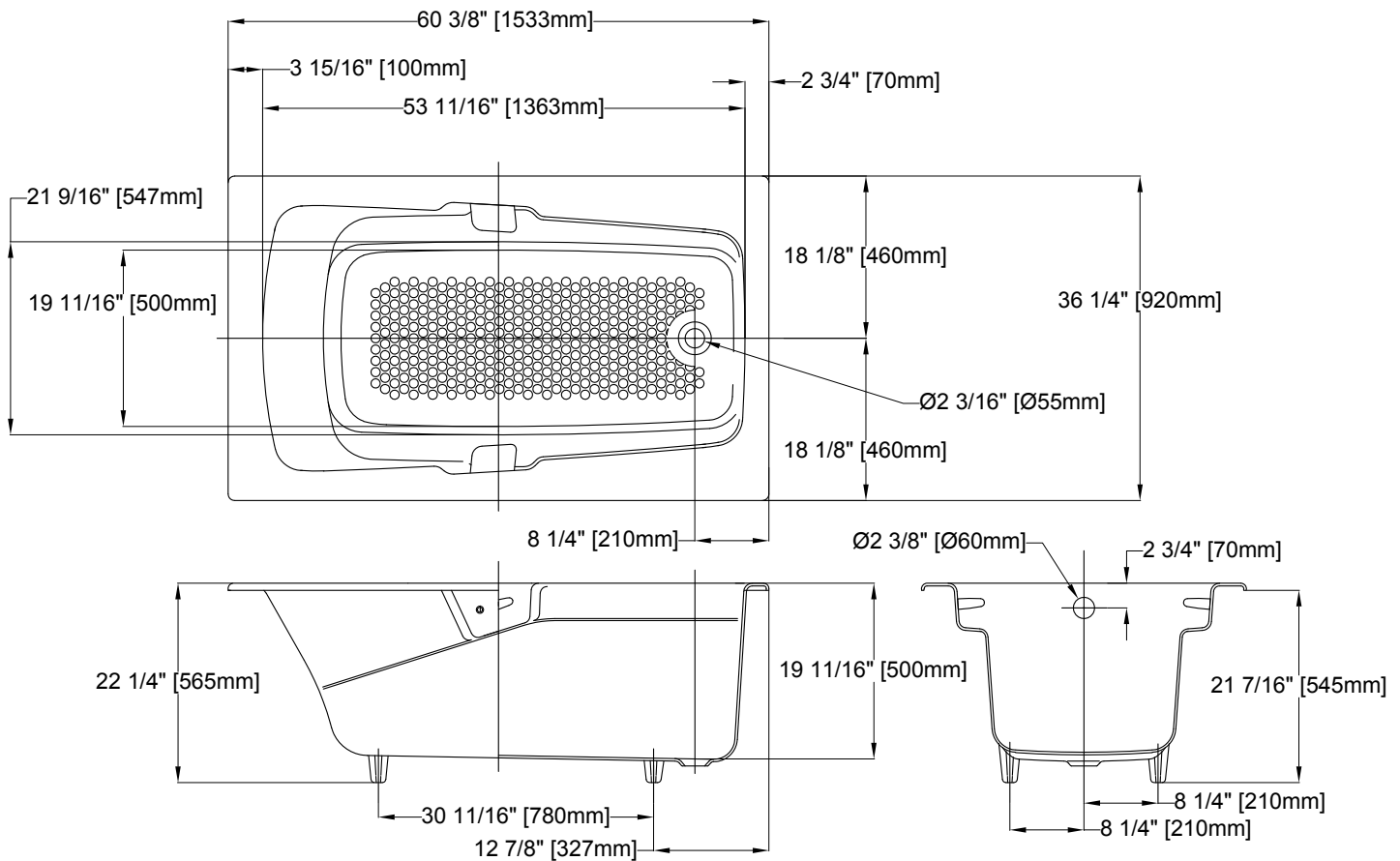
SPECIFICATIONS

- Size 60-3/8" L x 36-1/4" W
- Depth 22-1/4"
- Water Depth 15-3/4" (400mm)
- Warranty Lifetime Limited Warranty
- Material Enameled Cast Iron
- Shipping Weight 353 lbs.
- Shipping Dimensions 76-15/16" L x 40-3/8" W x 23-5/8" H

INSTALLATION NOTES

A frame cutout guide is available for drop-in installation. A template is available for under mount installation.

Floor support under bath must provide a minimum of 80 lbs/square foot (391 kg/square meter) loading.



TOTO®

These dimensions and specifications are subject to change without notice