

## Clayton® 60" x 32" Soaker Bathtub Tile-in

### FEATURES

- 60" x 32" x 24-1/2"
- 3-sided molded integral flange tub standard
- Luxuriously deep bathing well
- Cast-acrylic construction provides high durability
- Slip-resistant surface
- Optional solid brass grab bar with various finishes
- Molded integral flange options available through special order: 0 flange, 1 flange, 2 flange.

### MODELS

- ABY782P  
Acrylic bathtub. Slip-resistant surface.  
Left drain/3 flange
- ABY782Q  
Acrylic bathtub. Slip-resistant surface.  
Right drain/3 flange

### COLORS/FINISHES

- Shell Color
  - #01 Cotton
  - #12 Sedona Beige
- Grab Bar
  - #CP Polished Chrome
  - #BN Brushed Nickel
  - #PN Polished Nickel

### CODES/STANDARDS

- Meets and exceeds ANSI Z124.1.2, CSA B45
- Certifications: IAPMO(cUPC), State of Massachusetts, City of Los Angeles and others
- Code Compliance: UPC, IPC, NSPC, NPC Canada, and others



### PRODUCT SPECIFICATION

The TOTO® Clayton® Soaker Bathtub Tile-in shall have a 3-sided molded integral flange tub standard and a luxuriously deep bathing well. The Soaker Bathtub shall have a cast-acrylic construction that provides high durability with a slip-resistant surface. The Soaker Bathtub shall have an optional solid brass grab bar with various finishes. Soaker Bathtub shall be TOTO Model ABY782\_\_ \_\_.

# ABY782P/Q

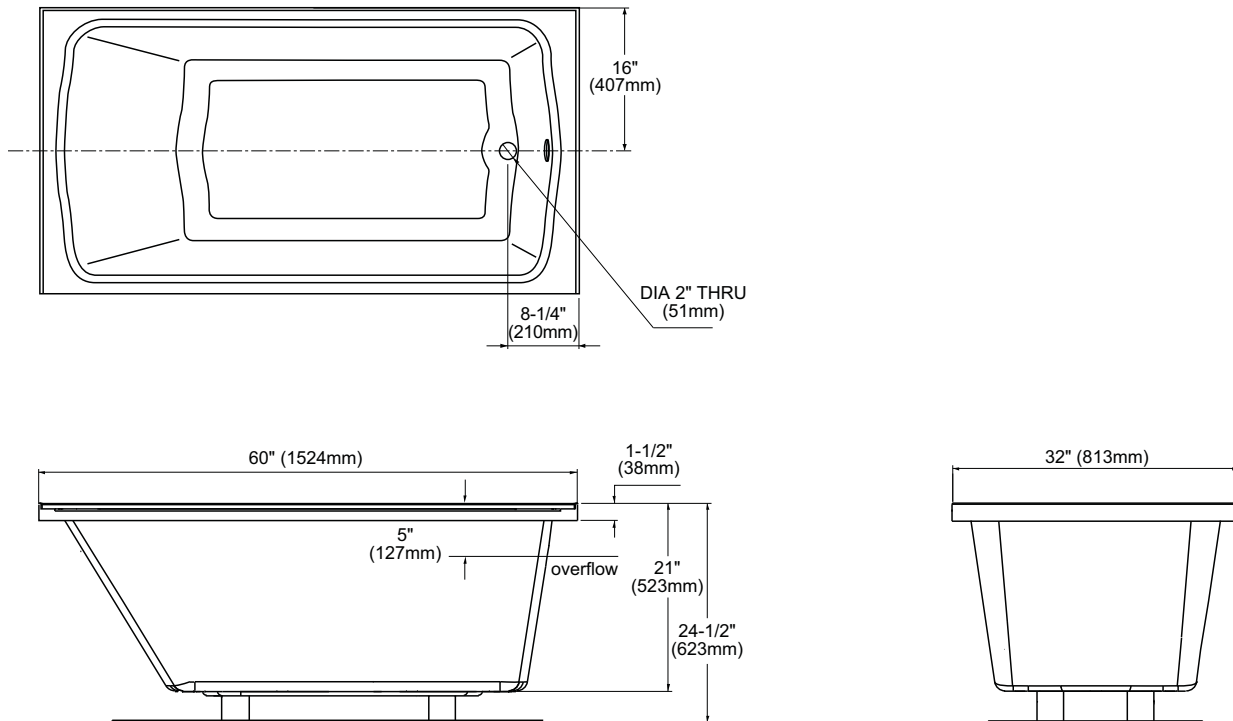
## Clayton® 60" x 32" Soaker Bathtub Tile-in

### SPECIFICATIONS

- Size 60" L x 32" W
- Depth 20-1/4"
- Warranty 1 Year Limited Warranty on acrylic tub  
1 Year Limited Warranty on components and parts
- Material Lucite Cast Acrylic
- Shipping Weight 76 lbs.
- Shipping Dimensions 68" L x 39" W x 27" H
- Gallons 74 to overflow

### INSTALLATION NOTES

Floor support under bath must provide a minimum of 75 lbs/square foot (366 kg/square meter) loading.



**TOTO®**

*These dimensions and specifications are subject to change without notice*