

Atherton™ Undercounter Lavatory

FEATURES

- 17" x 14"
- Oval Undercounter Lavatory
- ADA compliant
- Vitreous china
- Mounting assembly complete with installation template and mounting screw set
- Front overflow



MODELS

- LT231
(#01)

COLORS/FINISHES

- #01 Cotton

PRODUCT SPECIFICATION

The undercounter lavatory shall be made of vitreous china. Lavatory shall be 17"-1/2" in width and 14-1/2" in depth. Product shall be with overflow and lavatory shall include mounting assembly and be ADA compliant.

TOTO Model LT231_____.

CODES/STANDARDS

- Meets ADA guidelines and ANSI A117.1 requirements when countertop is installed 864mm (34") from finished floor and lavatory is installed 37mm (1 7/16") minimum from front edge.
- Meets and exceeds ASME A112.19.2/CSA B45.1
- Certifications: IAPMO(cUPC), State of Massachusetts, City of Los Angeles, and others



LT231

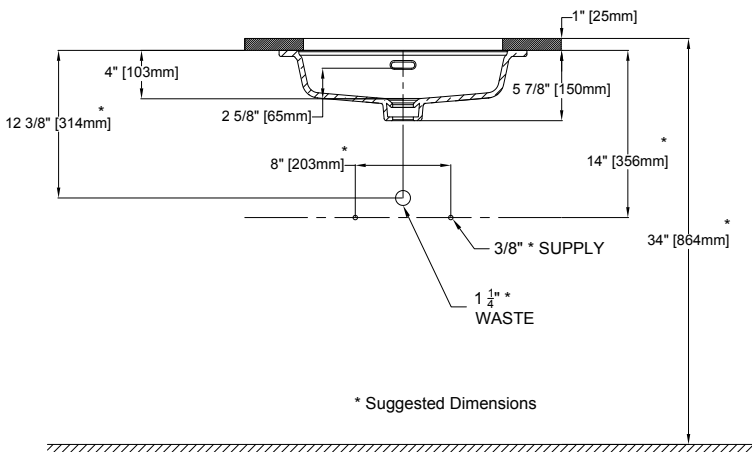
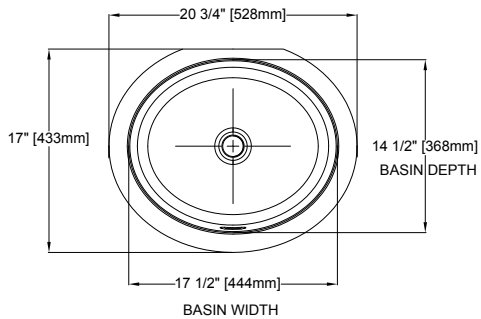
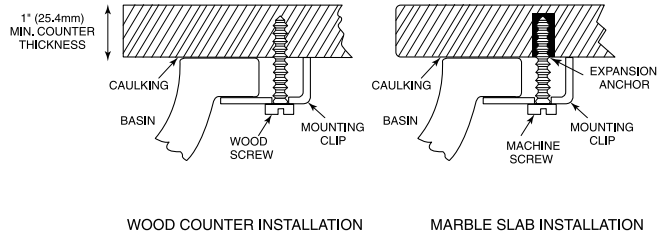
Undercounter Lavatory

SPECIFICATIONS

- **Waste:** 1-1/4" (32 mm)
- **Overall Size:** 20-3/4" (528 mm) x 17" (444 mm)
- **Cutout:** 16-3/4" (425mm) x 13-3/4" (349mm)
- **Basin Depth:** 4" (103 mm)
- **Basin:** 17-1/2" (444 mm) x 14-1/2" (368 mm)
- **Warranty:** One Year Limited Warranty
- **Material:** Vitreous china
- **Shipping Weight:** 20lbs (9 kg)
- **Shipping Dimensions:** 21-1/2" x 18-1/4" x 7-1/2"

INSTALLATION NOTES

Note: Low flow faucets are recommended.



ADA COMPLIANCE CHECK

