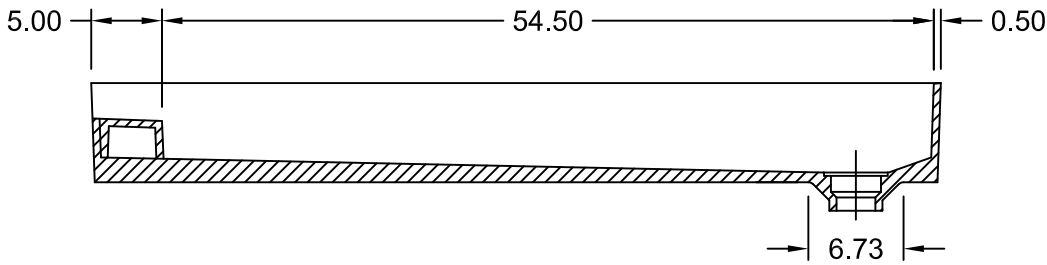
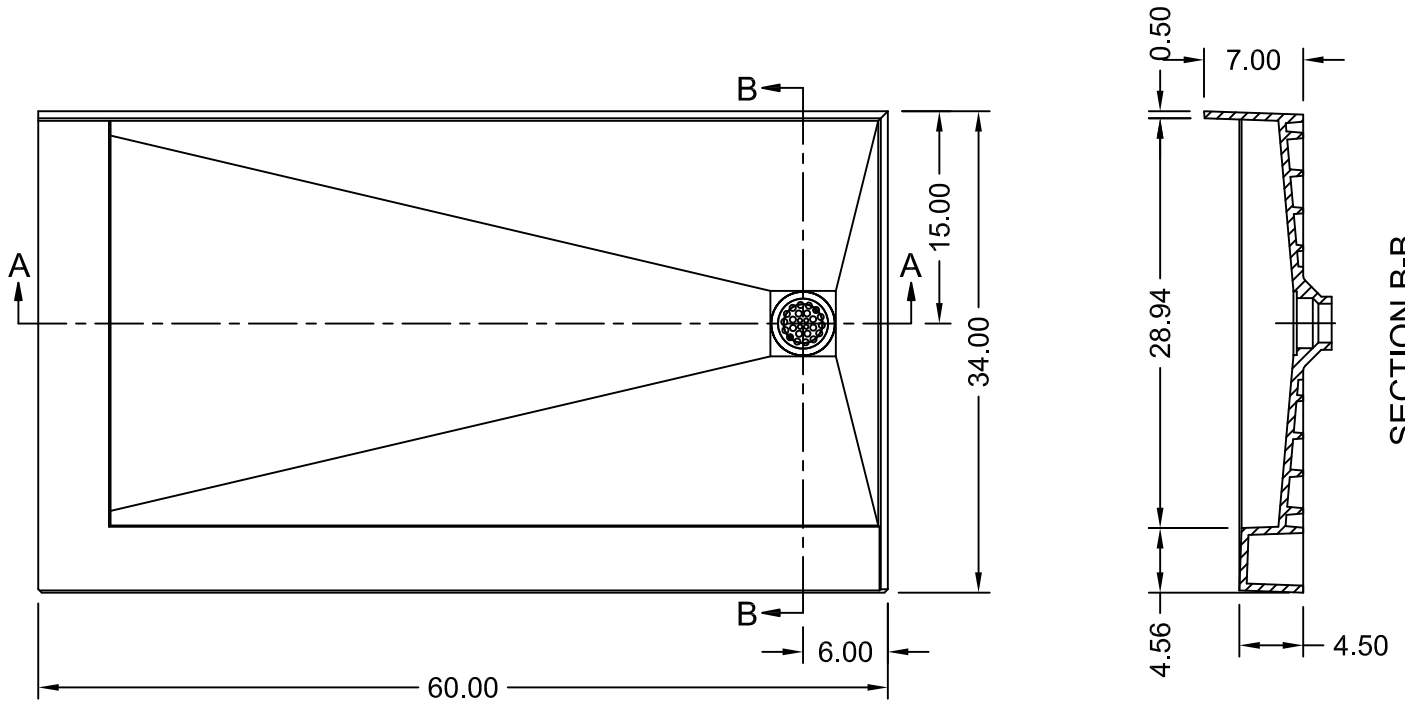


(Not to scale)



SECTION A-A