

Installation
GUIDE

VCI3B30ZS, VCI3B36ZS, VCI6B30ZS, VCI6B36ZS

Masterpiece® Custom Insert Hoods



Table of CONTENTS

SAFETY DEFINITIONS	3	DUCT EQUIVALENT CHART.....	10
IMPORTANT SAFETY INSTRUCTIONS	4-7	INSTALLATION	11-15
Proper installation and maintenance	5	Prepare the cabinet	11
Fire safety	6	Prepare the hood	11
State of California Proposition 65 Warnings.....	7	Install the hood	12
Protecting the environment	7	Connect the ducting	13
Causes for damage	7	Electrical installation	14-15
BEFORE YOU BEGIN	8	Recirculating-air mode filter.....	15
Tools and material needed	8	TROUBLESHOOTING	16
Parts supplied	8	THERMADOR® SUPPORT	17
Unit dimensions	8	Before calling service	17
Optional accessories	8	Rating plate	17
PLAN THE INSTALLATION	9	Service.....	17
Install the ductwork.....	9	Parts and accessories	17
Ductwork preparation	9		

This THERMADOR Appliance is made by
BSH Home Appliances Corporation
1901 Main Street, Suite 600
Irvine, CA 92614

Questions?

1-800-735-4328

www.thermador.com

We look forward to hearing from you!

SAFETY DEFINITIONS

⚠ WARNING

This indicates that death or serious injuries may occur as a result of non-observance of this warning.

⚠ CAUTION

This indicates that minor or moderate injuries may occur as a result of non-observance of this warning.

NOTICE: This indicates that damage to the appliance or property may occur as a result of non-compliance with this advisory.

Note: This alerts you to important information and/or tips.

IMPORTANT SAFETY INSTRUCTIONS

READ AND SAVE THESE INSTRUCTIONS

WARNING

Read all instructions carefully before use. These precautions will reduce the risk of electrical shock, fire and injury to persons. When using kitchen appliances, basic safety precautions must be followed including those in the following pages.

Examine the appliance after unpacking it. In the event of transport damage, do not plug it in.

WARNING

TO REDUCE THE RISK OF FIRE, ELECTRIC SHOCK, OR INJURY TO PERSONS, OBSERVE THE FOLLOWING:

- Use this unit only in the manner intended by the manufacturer. If you have questions, contact the manufacturer.
- Before servicing or cleaning unit, switch power off at service panel and lock the service disconnecting means to prevent power from being switched on accidentally.
- When the service disconnecting means cannot be locked, securely fasten a prominent warning device, such as a tag, to the service panel.

WARNING

TO REDUCE THE RISK OF FIRE, ELECTRIC SHOCK, OR INJURY TO PERSONS, OBSERVE THE FOLLOWING:

- Installation work and electrical wiring must be done by qualified person(s) in accordance with all applicable codes and standards, including fire-rated construction.
- Sufficient air is needed for proper combustion and exhausting of gases through the flue (chimney) of fuel burning equipment to prevent back drafting. Follow the heating equipment manufacturer's guideline and safety standards such as those published by the National Fire Protection Association (NFPA), and the American Society for Heating, Refrigeration and Air Conditioning Engineers (ASHRAE), and the local code authorities.
- When cutting or drilling into wall or ceiling, do not damage electrical wiring and other hidden utilities.
- Ducted fans must always be vented to the outdoors.

INSTALLER: LEAVE THESE INSTRUCTIONS WITH THE APPLIANCE AFTER INSTALLATION IS COMPLETE.

OWNER: SAVE THESE INSTRUCTIONS FOR THE LOCAL INSPECTOR'S USE.

IMPORTANT SAFETY INSTRUCTIONS

READ AND SAVE THESE INSTRUCTIONS

Proper installation and maintenance

WARNING

Remove all tape and packaging before using the appliance. Discard the packaging after unpacking the appliance. Never allow children to play with packaging material.

INSTALLER: Show the owner the location of the circuit breaker or fuse. Mark it for easy reference.

This appliance must be properly installed and grounded by a qualified technician. Connect only to properly grounded outlet. Refer to Installation Instructions for details.

This appliance is intended for normal family household use only. It is not approved for outdoor use. If you have any questions, contact the manufacturer.

Do not store or use corrosive chemicals, vapors, flammables or nonfood products in or near this appliance. It is specifically designed for use when heating or cooking food. The use of corrosive chemicals in heating or cleaning will damage the appliance and could result in injury.

Do not operate this appliance if it is not working properly, or if it has been damaged. Contact an authorized service provider.

Do not repair or replace any part of the appliance unless specifically recommended in this manual. Refer all servicing to a factory authorized service provider.

WARNING

Improper installation of gas appliances and ventilation hoods can create a risk for carbon monoxide which can be harmful. To reduce the risk of carbon monoxide poisoning, ensure the gas appliance is properly installed according to the manufacturer's instructions, as well as ensuring the hood is vented to the outside for proper exhausting of gases or fumes.

Refer to local building codes for latest requirements and restrictions when installing ventilation products in recirculation mode.

CAUTION

Grease left on filters can melt and move into the vent.

WARNING

Hidden surfaces may have sharp edges. Use caution when reaching behind, in or under appliance.

WARNING

Two persons are recommended for the installation of this product.

WARNING

When the hood is operated in exhaust-air mode simultaneously with a different appliance which also makes use of the same chimney (such as gas, oil or coal-fired heaters, continuous-flow heaters, hot-water boilers) care must be taken to ensure that there is an adequate supply of fresh air which will be needed by the appliance for combustion.

This can be achieved if combustion air can flow through non-lockable openings, e.g. in doors, windows and via the air-intake/exhaust-air wall box or by other technical measures, such as reciprocal interlocking, etc.

WARNING

Make-Up Air: Local building codes may require the use of make-up air systems when using ducted ventilation systems greater than specified CFM of air movement. The specified CFM varies from locale to locale. Consult your HVAC professional for specific requirements in your area

Note: When assessing the overall requirement, the combined ventilation system for the entire household must be taken into consideration. This rule does not apply to the use of cooking appliances, such as cooktops and ovens.

WARNING

To avoid electrical shock hazard, before installing, switch power off at the service panel and lock the panel to prevent the power from being switched on accidentally. Requirement: 120 VAC, 60 Hz, 15 A.

WARNING

Automatically operated device.
To reduce the risk of injury disconnect from power supply before servicing.

Grounding instructions

This appliance must be grounded. In the event of an electrical short circuit, grounding reduces the risk of electric shock by providing an escape wire for the electric current.

Be sure your appliance is properly installed and grounded by a qualified technician. Installation, electrical connections and grounding must comply with all applicable codes.

If required by the National Electrical Code (or Canadian Electrical Code), this appliance must be installed on a separate branch circuit.

Safety codes and standards

This appliance complies with one or more of the following Standards:

- UL 507, The Standard for the Safety of Electric Fans
- CSA C22.2 No. 113, Fans and Ventilators

It is the responsibility of the owner and the installer to determine if additional requirements and/or standards apply to specific installations.

IMPORTANT SAFETY INSTRUCTIONS

READ AND SAVE THESE INSTRUCTIONS

Fire safety

WARNING

Use this appliance only for its intended use as described in this manual.

Always have a working smoke detector near the kitchen. In the event that personal clothing or hair catches fire, drop and roll immediately to extinguish flames.

Have an appropriate fire extinguisher available, nearby, highly visible and easily accessible near the appliance.

Smother flames from food fires other than grease fires with baking soda. Never use water on cooking fires.

WARNING

TO REDUCE THE RISK OF INJURY TO PERSONS IN THE EVENT OF A RANGE TOP GREASE FIRE, OBSERVE THE FOLLOWING:^a

- a. SMOTHER FLAMES with a close-fitting lid, cookie sheet, or metal tray, then turn off the burner. BE CAREFUL TO PREVENT BURNS. If the flames do not go out immediately, EVACUATE AND CALL THE FIRE DEPARTMENT.
- b. NEVER PICK UP A FLAMING PAN – You may be burned.
- c. DO NOT USE WATER, including wet dishcloths or towels – a violent steam explosion will result.
- d. Use an extinguisher ONLY if:
 - You know you have a Class ABC extinguisher, and you already know how to operate it.
 - The fire is small and contained in the area where it started.
 - The fire department is being called.
 - You can fight the fire with your back to an exit.

^a Based on "Kitchen Fire Safety Tips" published by NFPA.

Whenever possible, do not operate the ventilation system during a cooktop fire. However, do not reach through fire to turn it off.

Seal the connection points of the ducts appropriately.

- Ductwork must vent outside, not into attic spaces for example.
-

WARNING

RISK OF FIRE

When gas burners are in operation without any cookware placed on them, they can build up a lot of heat. A ventilation appliance installed above the cooker may become damaged or catch fire. Only operate the gas burners with cookware on them.

WARNING

RISK OF FIRE

Hot oil and fat catch fire fast. Never leave hot oil and fat unsupervised. Never extinguish a fire with water. Switch off the cooking position. Suffocate flames carefully with a lid, a fire blanket or similar.

WARNING

RISK OF FIRE

Grease deposits in the grease filter can ignite. Clean the grease filter at least every two months, or as frequently as necessary. Never operate the appliance without the grease filter.

WARNING

RISK OF FIRE

Use only metal ductwork.

WARNING

RISK OF BURNS

The accessible parts get hot during operation. Never touch hot parts.

CAUTION

It is recommended to wear gloves and long sleeves to protect hands and forearms from abrasion and potential scratches during the installation process and servicing.

IMPORTANT SAFETY INSTRUCTIONS

READ AND SAVE THESE INSTRUCTIONS

State of California Proposition 65 Warnings

WARNING

This product may contain a chemical known to the State of California, which can cause cancer or reproductive harm. Therefore, the packaging of your product may bear the following label as required by California:

STATE OF CALIFORNIA PROPOSITION 65 WARNING:



WARNING

Cancer and Reproductive Harm - www.P65Warnings.ca.gov

Protecting the environment

Unpack the appliance and dispose of the packaging in line with environmental requirements.

Causes for damage

Risk of damage from condensation back flow. Install exhaust vent at a slight downward slope away from the appliance (1° slope).

BEFORE YOU BEGIN

Tools and material needed (not included)

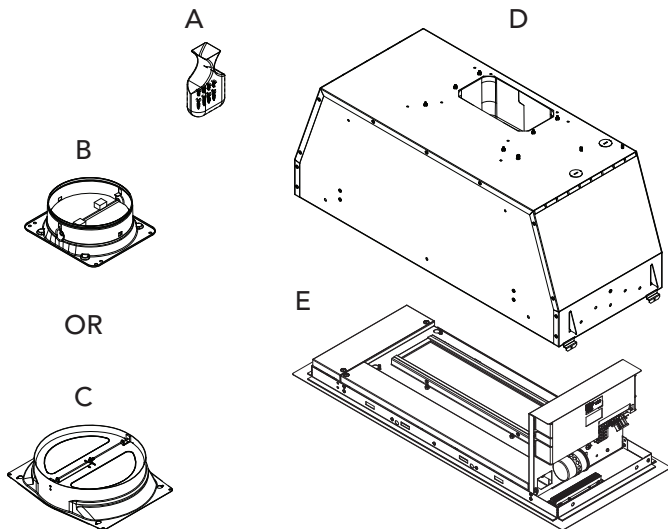
- UL approved 7/8" diameter strain relief
- 2 Wood blocks 7¼" maximum long x 2" minimum height, thickness to fit cabinet dimensions (see Prepare the cabinet on page 11)
- Flat head no. 8 wood screws (to secure the wood blocks to the cabinet)
- Aluminum duct tape (DO NOT use insulating tape)
- Measuring tape
- Pencil
- Drill
- 1/8" Wood drill bit
- Saber saw or jig saw
- Wire stripper or utility knife
- Cross-shaped screwdriver no. 2
- Tin snips
- Safety glasses and work gloves

CAUTION

It is recommended to wear gloves and long sleeves to protect hands and forearms from abrasion and potential scratches during the installation process and servicing.

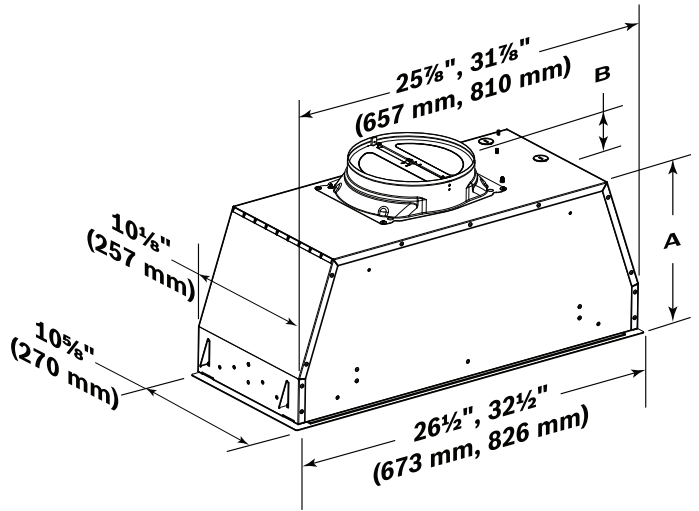
Parts supplied

Unpack the unit and check the content of the box.



- A: Parts bag containing: 8 Cross-shaped screws, no. 8 x 3/8" and 4 Cross-shaped screws, no. 8 x 3/4"
 B: 6" Ø duct connector for VCI3B30ZS or VCI3B36ZS model
 C: 8" Ø duct connector for VCI6B30ZS or VCI6B36ZS model
 D: Unit shell
 E: Unit module and frame assembly.

Unit dimensions



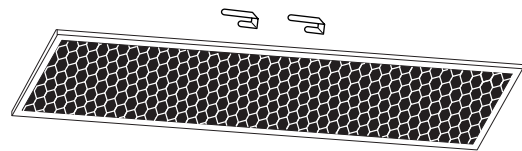
- A: 10½" (267 mm) unit with module and frame assembly installed
 A: 10¼" (260 mm) unit without module and frame assembly installed
 B: 6" Ø duct connector: 2 ¾ (60 mm)
 B: 8" Ø duct connector: 2 ⅛ (54 mm)

Optional accessories

Optional accessories are available for separate purchase.

Charcoal filter kits

Charcoal filter kit (mandatory for recirculation installation only). Refer below for the part numbers:



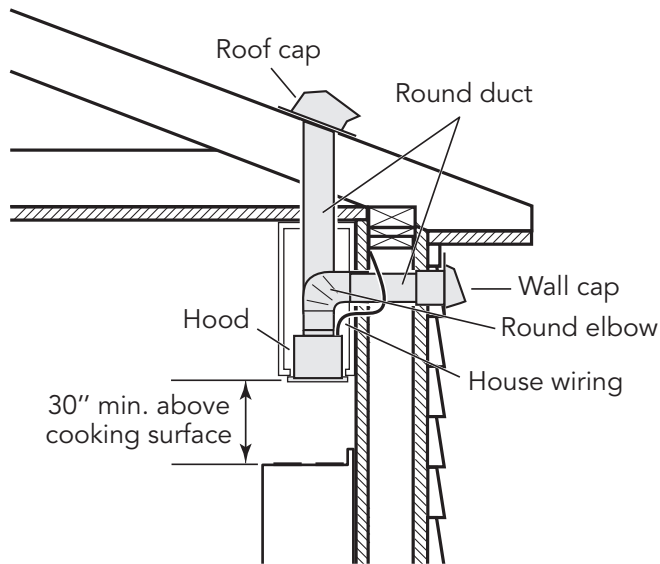
Unit Model	Charcoal Filter Kit
VCI3B30ZS	CHFVCI30ZS
VCI6B30ZS	CHFVCI30ZS
VCI3B36ZS	CHFVCI36ZS
VCI6B36ZS	CHFVCI36ZS

Built-in remote control

- REMCPW: Built-in remote control accessory

PLAN THE INSTALLATION

Install the ductwork (ducted installation only)



Hood installation height above a cooktop, rangetop or range can vary. To obtain the necessary installation height above a cooktop, rangetop or range, consult the appliance's installation manual or combination guide.

NOTICE: The hood can be damaged from excessive heat if a cooktop, rangetop or range is operated with multiple burners at high settings under a hood that is installed at minimum clearances and is turned off.

Distance From Cooking Surface

The installation height above a cooktop, rangetop or range is recommended as a minimum height of 30" (762 mm); however, it is necessary to follow the cooking appliance manufacturer's installation instructions for proper hood height.

Refer to local building codes for the latest requirements or restrictions when installing ventilation products.

NOTE: To reduce the risk of fire, use only metal ductwork.

The size of the ducting varies according to the model installed:

Model	Ducting
VCI3B30ZS	6" round
VCI3B36ZS	6" round
VCI6B30ZS	8" round
VCI6B36ZS	8" round

1. Decide where the ductwork will run between the hood and the outside.
2. A straight, short duct run will allow the hood to perform most efficiently.
3. Long duct runs, elbows, and transitions will reduce the performance of the hood. Use as few of them as possible. Larger ducting may be required for best performance with longer duct runs.
4. Install wall cap or roof cap (sold separately). Connect metal ductwork to cap and work back towards the hood location. Use 2" metal foil duct tape to seal the joints between ductwork sections.

NOTE: The manufacturer is not responsible for performance complaints attributable to the duct section.

Ductwork preparation

DUCTING RECOMMENDATIONS

Proper performance is dependent upon proper ducting.

MAKE-UP AIR: Local building codes may require the use of make-up air systems when using ducted ventilation systems greater than specified CFM of air movement. The specified CFM varies from locale to locale. It is the responsibility of the owner and the installer to determine if additional requirements and/or standards apply to specific installations.

DO NOT USE FLEXIBLE DUCT; it creates back pressure/ air turbulence and reduces performance.

Always install a metal vent cover where the ductwork exits the house.




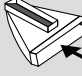


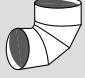
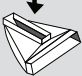
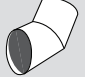

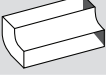

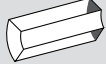


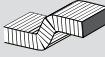


COLD WEATHER installations should have an additional backdraft damper installed to minimize backward cold air flow and a nonmetallic thermal break to minimize conduction of outside temperatures as part of the ductwork.

The damper should be on the cold air side of the thermal break. The break should be as close as possible to where the ducting enters the heated portion of the house.

For safety reasons, ducting should vent directly outdoors (not into an attic, underneath the house, into the garage or into any enclosed space). In gas cooking applications, the unit cannot be used in conjunction with a recirculation unit.

THERMADOR® recommends not exceeding 50 ft. (15 m) of equivalent duct. See next page for Duct Equivalent Chart.

DUCT EQUIVALENT CHART

Duct Piece	Size (in./mm)	Equivalent Length (ft/m)	Duct Piece	Size (in./mm)	Equivalent Length (ft/m)
 Smooth, straight	6 (152)	1.2 (0.37)	 3 1/4" x 10" (83 mm x 254 mm) to round 90° Elbow	6 (152)	10 (3)
	8 (203)	0.7 (0.21)		N/A	15 (4.6)
	10 (254)	0.6 (0.18)			
 3 1/4" x 10" (83 mm x 254 mm) straight	N/A	1 (0.3)	 3 1/4" x 10" (83 mm x 254 mm) Center reverse elbow , left	N/A	15 (4.6)
 3 1/4" x 14" (83 mm x 356 mm) straight	N/A	0.7 (0.21)	 3 1/4" x 10" (83 mm x 254 mm), Center reverse elbow , right	N/A	25 (7.6)
 90° Elbow , round	6 (152)	12 (3.7)	 3 1/4" x 10" (83 mm x 254 mm), Left reverse elbow	N/A	15 (4.6)
	8 (203)	6 (1.8)		N/A	25 (7.6)
	10 (254)	5 (1.5)			
 45° Elbow , round	6 (152)	5 (1.5)	 3 1/4" x 10" (83 mm x 254 mm), Right reverse elbow	N/A	25 (7.6)
	8 (203)	3 (0.9)		6 (152)	2 (0.6)
	10 (254)	2 (0.6)			
 3 1/4" x 10" (83 mm x 254 mm), 90° Elbow , round	N/A	5 (1.5)	 Round wall cap	8 (203)	2 (0.6)
 3 1/4" x 10" (83 mm x 254 mm), 45° Elbow , round	N/A	15 (4.6)		10 (254)	2 (0.6)
				 3 1/4" x 10" (83 mm x 254 mm), Flat elbow	N/A
N/A	20 (6.1)	8 (203)	2 (0.6)		
		10 (254)	2 (0.6)		
 3 1/4" x 10" (83 mm x 254 mm), 90° Elbow , round	6 (152)	5 (1.5)	 2" (51 mm) long, 3 1/4" x 10" (83 mm x 254 mm) flex	N/A	20 (6.1)
8 (203)	2 (0.6)	N/A		2 (0.6)	
 Round to 3 1/4" x 10" (83 mm x 254 mm) 90° Elbow	6 (152)		10 (3)		 3 1/4" x 10" (83 mm x 254 mm), Roof jack and shutter

NOTE: These commonly used installation parts can be purchased at a local hardware store. THERMADOR® does not manufacture these parts.

Measurements in inches (mm).

INSTALLATION

WARNING

Remove all tape and packaging before using the appliance. Discard the packaging after unpacking the appliance. Never allow children to play with packaging material.

Prepare the cabinet

NOTES: A. The internal height of cabinet has to be minimum 15", unless the exhaust ductwork is configured horizontally; in this case, the minimum internal height of the cabinet should be 23" in order to allow enough room for the 90° elbow.

B. The hood should be mounted centered over the cooktop burners.

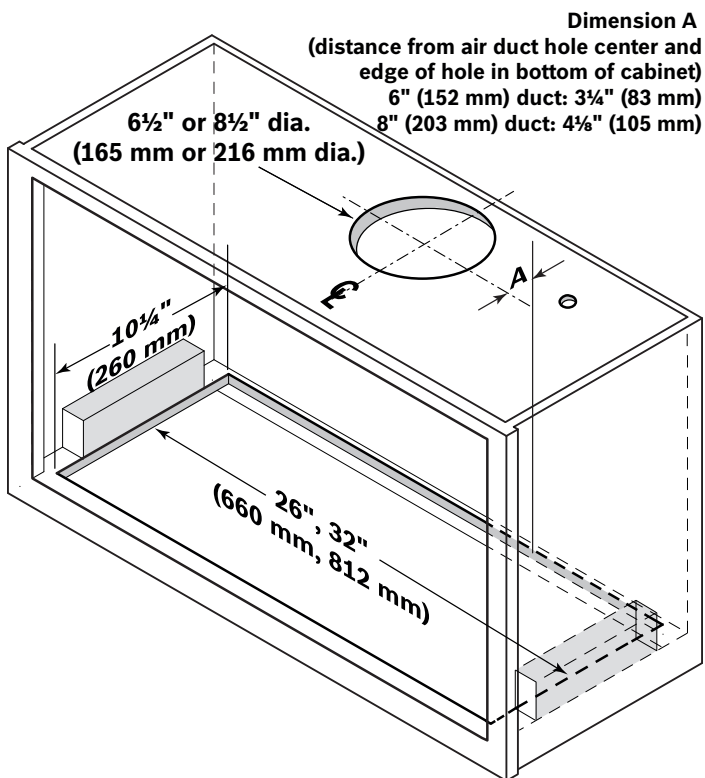
The cabinet must be heat-resistant up to 194° F (90 °C).

The stability of the cabinet must also be ensured after the cut-out work.

1. Cut a hole in the bottom of the cabinet, using the dimensions shown.
2. Make the cut-out for the exhaust air duct and the house wiring cable on top of the cabinet.

NOTE: If the hood will be installed non-ducted, a cut-out must also be made in the cabinet to allow air to exhaust through a grill (not included).

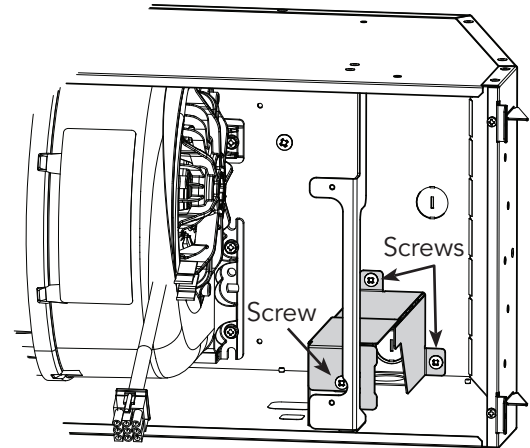
After the cut out work is complete, remove the shavings.



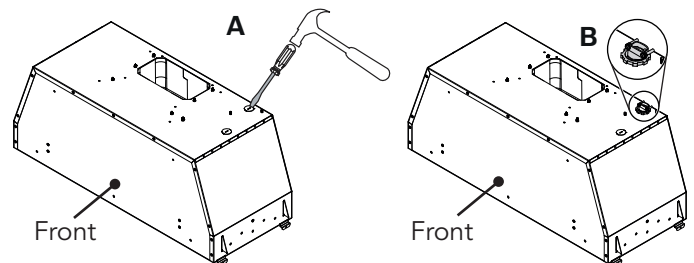
3. Center and secure 2 wood blocks (not included) having 2" minimum height x 7 1/4" maximum long (thickness to fill but not exceed the space inside the cabinet), on left and right sides of the hole, flush to the edges (fastening screws for wood blocks are not included).

Prepare the hood

1. Disassemble both sections of the electrical compartment cover (grey parts in illustration below) from inside the hood by removing the 3 retaining screws. Set aside the cover sections along with the screws.

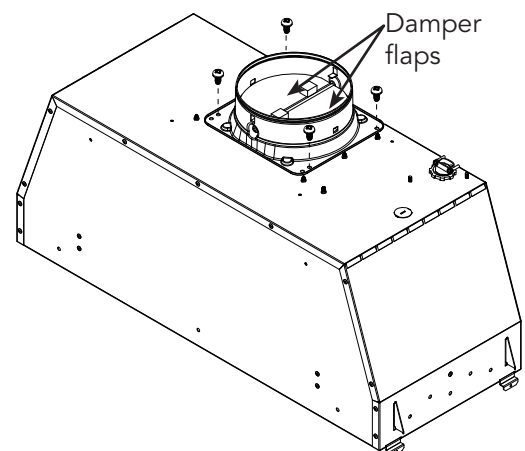


2. Punch out the knock-out hole on top of the unit (A), then install a 7/8" diameter UL approved strain relief (B) (not included).



3. Secure the included 6" diameter duct connector (for VCI3B30ZS or VCI3B36ZS model) or the included 8" round duct connector (for VCI6B30ZS or VCI6B36ZS model) to the top of the hood using 4 no. 8 x 3/8" screws (included in parts bag). Seal the joint with aluminum duct tape.

NOTE: If the hood will be installed non-ducted, remove both damper flaps from duct connector.

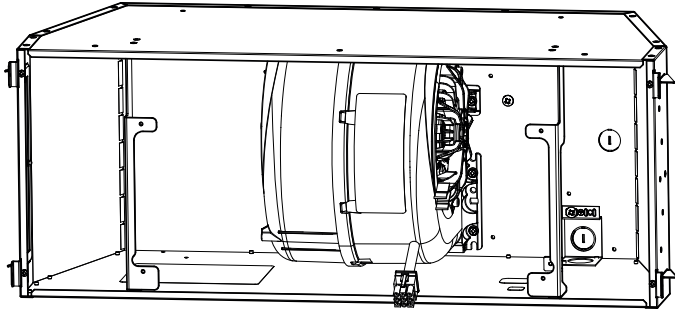


INSTALLATION

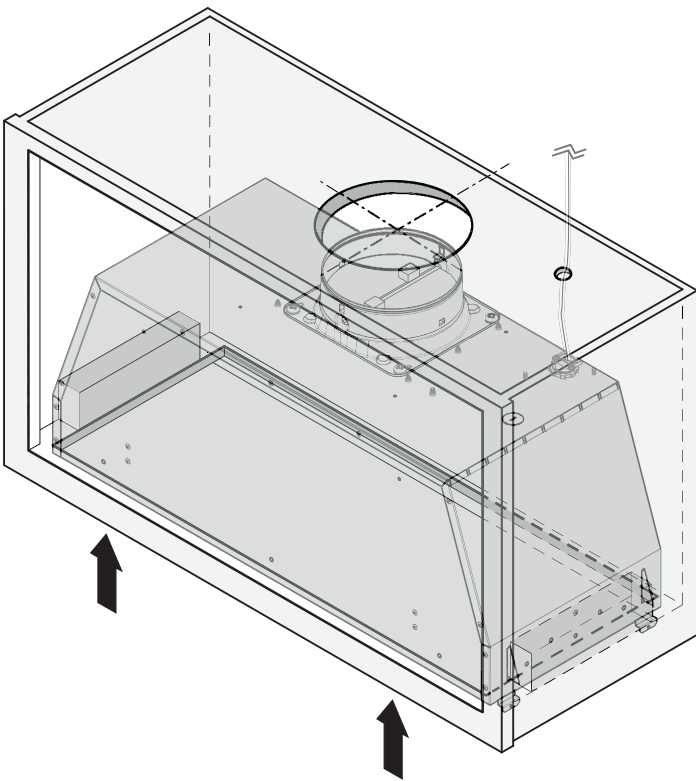
Install the hood

1. Run house power cable between service panel and hood location. Leave a 3-foot length of power cable inside the cabinet. Attach the power cable to the hood using the strain relief previously installed.

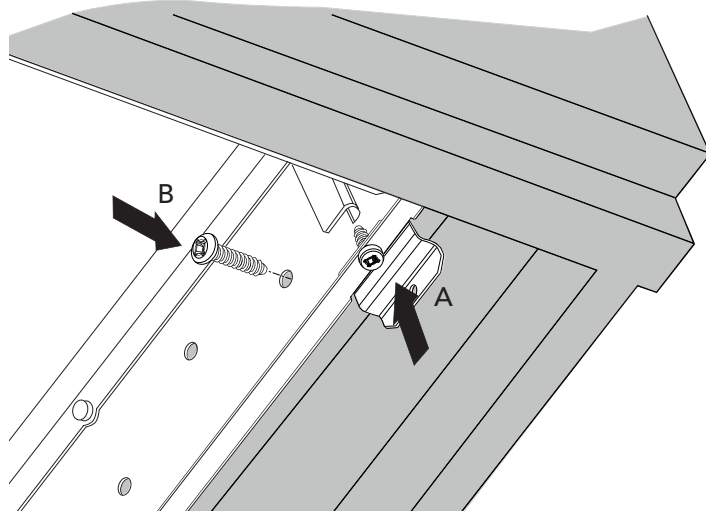
NOTE: The blower outlet should be towards the back/rear of the cabinet and junction box should be on the right-hand side.



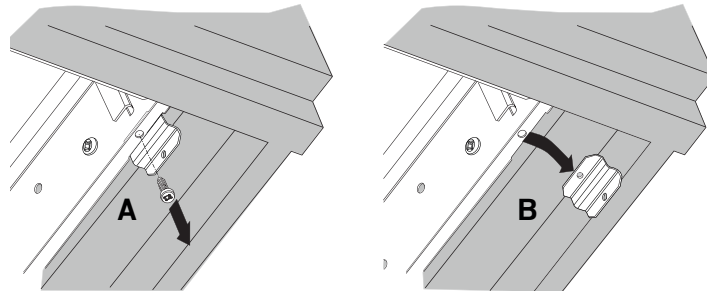
2. Insert the hood in the cabinet; both springs on each side will click. Make sure all springs have clipped before releasing the unit.



3. Lift the hood until contact is made between installation brackets and cabinet is made (A). Secure the hood to the wood blocks previously installed using (4) wood screws included in parts bag (2 screws per side) (B). See illustration below.



4. Remove the 4 installation brackets (1 per unit corner). For each bracket, remove the screw (A), then rotate the bracket to disengage it (B) from the cabinet. Discard the brackets along with their screws according to local laws and regulations.



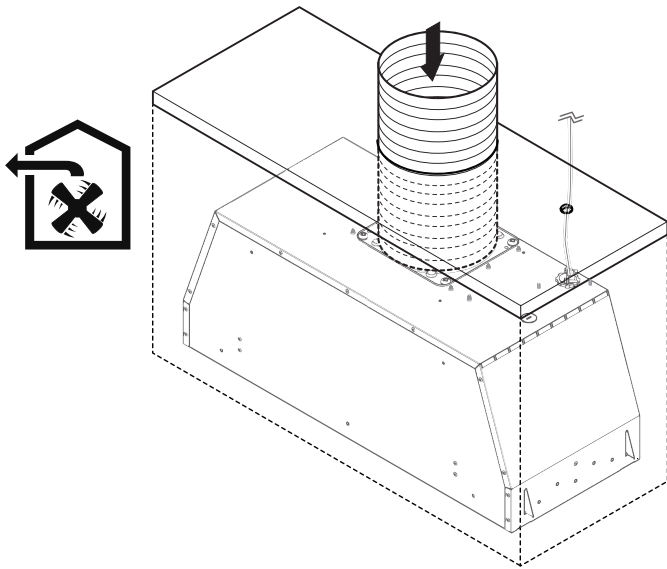
INSTALLATION

Connect the ducting

NOTES:

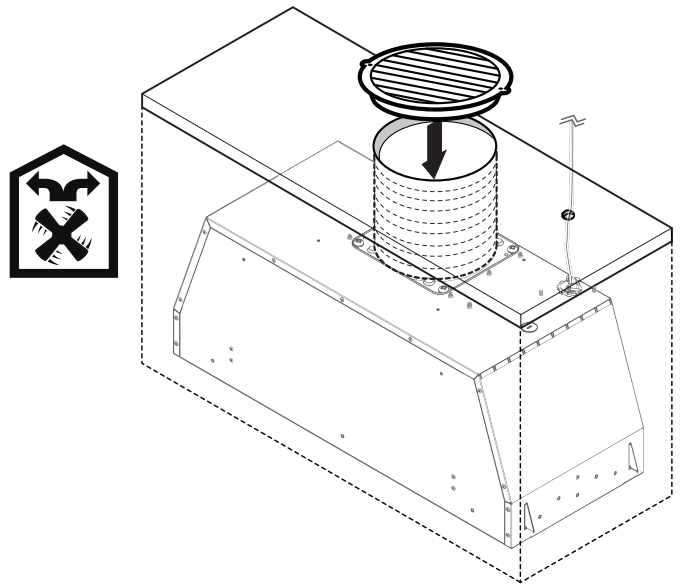
- If an aluminum duct is used, smooth the connection area beforehand.
- VCI3B30ZS or VCI3B360ZS model: Exhaust air duct dia. 6" (150 mm).
- VCI6B30ZS or VCI6B360ZS model: Exhaust air duct dia. 8" (205 mm).

Establishing the connection for the exhaust air



1. Attach the exhaust air duct directly to the air duct connector. Attach the other end of the duct to the ductwork above.
2. Seal the joints with metal foil duct tape.

Establishing the connection for the recirculated air



1. Attach the exhaust air duct directly to the air duct connector.
2. Establish the connection to the opening on the cabinet unit.
3. Screw the air guide grill (not included) to the cabinet. Fit the air guide grill so that the air can flow out freely.
4. Seal the joints with metal foil duct tape.
5. Install the charcoal filter.

WARNING

Improper installation of gas appliances and ventilation hoods can create a risk for carbon monoxide which can be harmful. To reduce the risk of carbon monoxide poisoning, ensure the gas appliance is properly installed according to the manufacturer's instructions, as well as ensuring the hood is vented to the outside for proper exhausting of gases or fumes.

Refer to local building codes for latest requirements and restrictions when installing ventilation products in recirculation mode.

INSTALLATION

Electrical installation

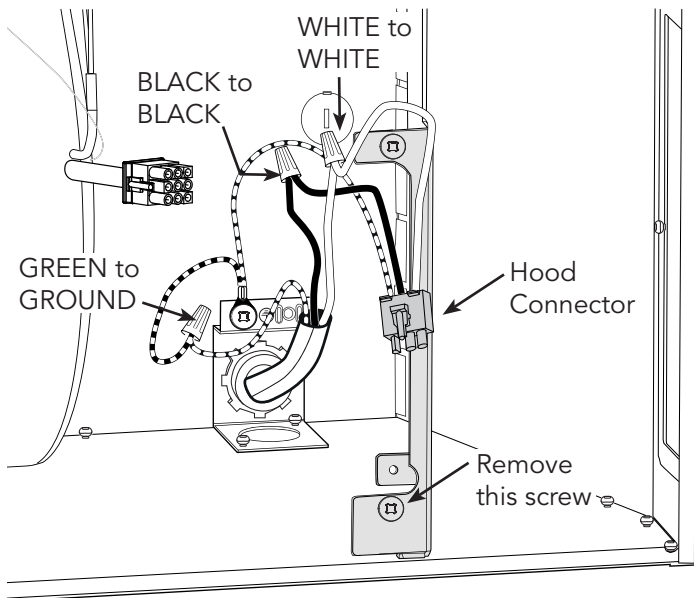
⚠ CAUTION

Installation work and electrical wiring must be done by qualified person(s) in accordance with all applicable codes and standards, including fire-rated construction.

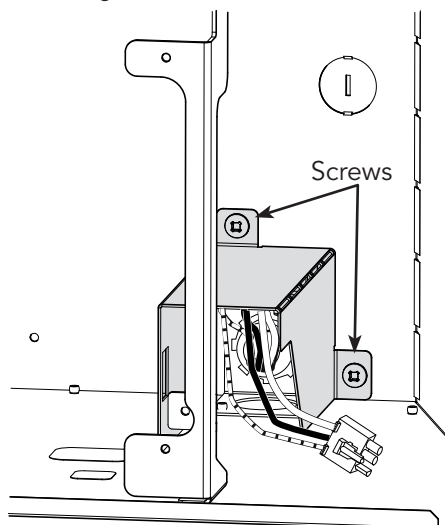
⚠ CAUTION

Before installing, turn off power supply at the service panel. Lock service panel to prevent power from being turned on accidentally.

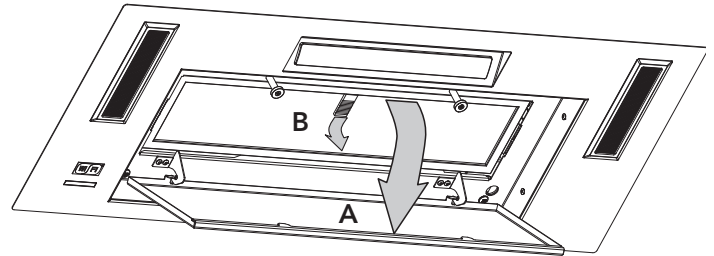
1. Perform the electrical connection as follow: Using UL approved wire nuts, connect BLACK wire from house wiring to BLACK wire from hood connector, WHITE wire from house wiring to WHITE wire from hood connector and GREEN or bare ground wire from house wiring to GREEN wire from hood connector. Then, remove and set aside the screw shown in illustration below for later use.



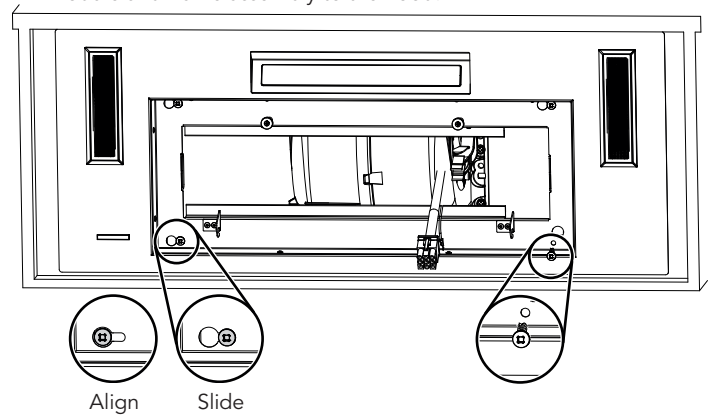
2. Reassemble the top section of the electrical cover to the hood shell using its 2 retaining screws.



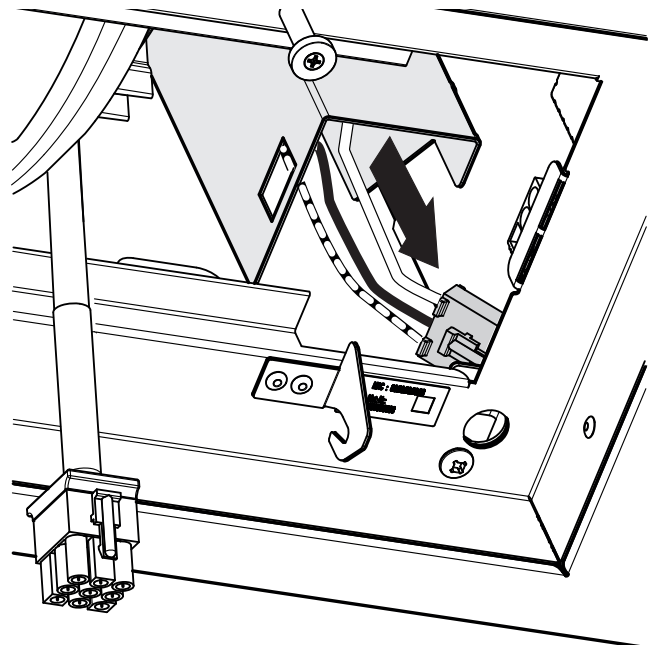
3. Open and remove the decorative panel (A) from the module and frame assembly, then remove and set aside the filter from the module and frame assembly by pulling down its tab (B).



4. Assemble the module and frame assembly to the hood shell; align the keyhole slots to the 3 remaining screws located on the module and frame support. Slide until the screws are engaged in the small part of the keyholes (see left insets). Put back in place the screw removed in step 1, then tighten the 3 remaining screws in order to secure the module and frame assembly to the hood.

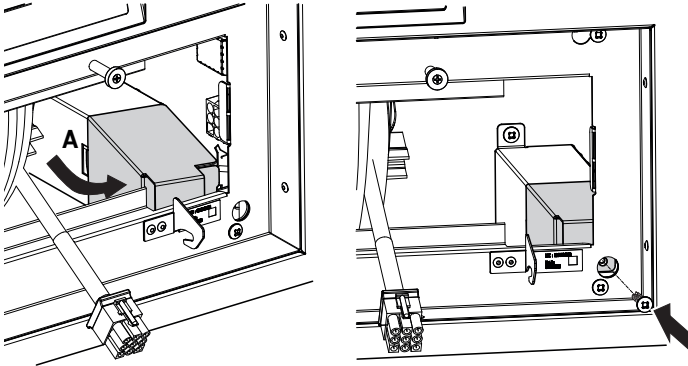


5. Connect the hood connector (darker grey part in illustration below) to its connector.



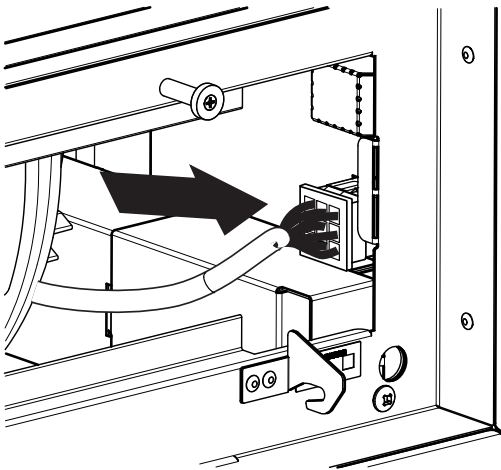
INSTALLATION

6. Assemble the remaining section of the electrical cover to the first section, by inserting its tab in the side slot (A) as shown below. Secure this last section to the hood using the screw previously removed.

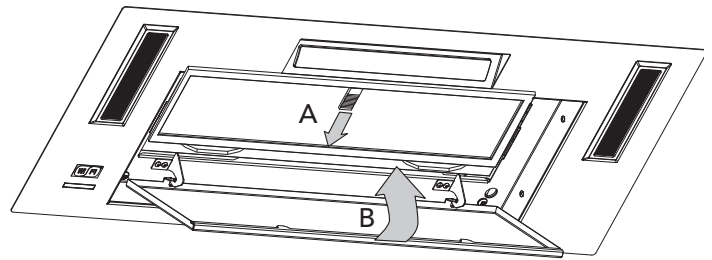


CAUTION
Ensure not to pinch wires when reinstalling the electrical compartment cover.

7. Connect the blower to its connector inside the hood.



8. Reinstall the filter (A), then reinstall and close the decorative panel (B).



9. Turn on power supply at the service panel, then check the operation of the hood (refer to the user manual).

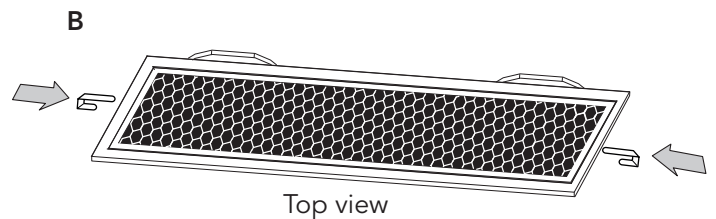
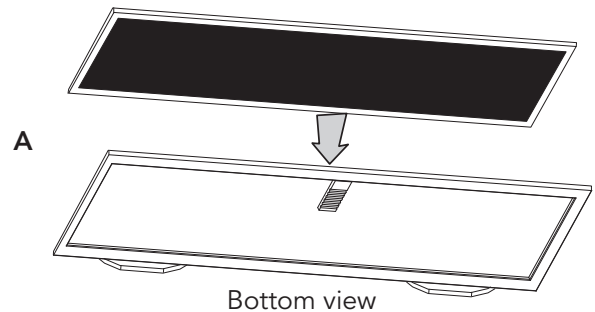
Recirculating-air mode filter

To bind odors in recirculating-air mode, a charcoal filter must be installed. The required charcoal filter kits are available for purchase from specialist retailers, from customer service or from the Online Shop. See table below to find out the filter kit part number corresponding to the unit model.

Unit Model	Charcoal Filter Kit
VCI3B30ZS	CHFVCI30ZS
VCI6B30ZS	CHFVCI30ZS
VCI3B36ZS	CHFVCI36ZS
VCI6B36ZS	CHFVCI36ZS

Installing recirculating-air mode filter

1. Remove the grease filter from the hood. Install a charcoal filter (included in the charcoal filter kit) on metal grease filter back (A). Hold the charcoal filter in place using both metal clips (included in the charcoal filter kit) (B).



2. Reinstall the grease filter.

TROUBLESHOOTING

You can often easily eliminate issues that may occur on your own. Before calling customer service, take into account the following information.

WARNING

RISK OF ELECTRIC SHOCK

Improper repairs are dangerous. Only an authorized service provider may perform repairs and may replace damaged connecting leads. Remove the fuse or deactivate the breaker in the fuse box or breaker box if the appliance is damaged. Call Customer Service.

Disruption	Possible Cause and Solution
Noise during operation	<p>Some noise is normal due to vibration and air movement.</p> <ul style="list-style-type: none"> Excessive noise could indicate one of the following: <ul style="list-style-type: none"> ductwork is too small / undersized ductwork is too large / oversized ductwork is loose transition is too small or is loose wood screws are not fully tightened loose screws in trim parts, etc. <p>Check installation manual to verify that ductwork is the proper size. Tighten screws.</p>
Noise when unit is off.	<ul style="list-style-type: none"> Backflow flap on outside of duct wall cap moves with the wind. This is normal.
Lights and fan blower do not work	<ul style="list-style-type: none"> Hood circuit breaker may be tripped. Reset breaker.
Fan blower does not work.	<ul style="list-style-type: none"> Power supply is insufficient. Electrical wiring is incorrectly connected. See the installation manual for more information.
Hood trips breaker.	<ul style="list-style-type: none"> Electrical wiring is incorrectly connected. Circuit is not sufficient.

Disruption	Possible Cause and Solution
The hood is not venting properly	<ul style="list-style-type: none"> The hood may be too high from the cooktop. The hood may not be centered above the cooktop. Make up air not sufficient. The wind from opened windows in the surrounding area is affecting the ventilation of the hood. Close all the windows to eliminate the outside air flow. Blockage in the duct opening or ductwork. Remove all blockage from the ductwork or duct opening. Duct length too long, too many elbows, "back to back" elbows, or too small roof or wall cap, will all cause issues with air draw.
Fault tone	<ul style="list-style-type: none"> Two short beeps will sound whenever the pressing of a button by the user results in a possible function that is not possible by the system. <p>The beep tone can be disabled by pressing the FILTER and LIGHTS buttons simultaneously for at least 3 seconds. Pressing the FILTER and LIGHTS buttons simultaneously when the beep sound is turned off will turn on the beep sound.</p>
Lighting not working.	<ul style="list-style-type: none"> LED lighting modules have failed. <p>The LED modules are replaceable by an authorized service provider only. See the support contact information in Customer Service section.</p>

THERMADOR® SUPPORT

Before calling service

First, refer to the troubleshooting section. Refer to the "Statement of Limited Product Warranty" in the Use and Care Manual.

To reach a service representative, see the contact information at right. Please be prepared with the information printed on your product rating plate when calling.

Rating plate

The rating plate shows the model and serial number. Refer to the rating plate on the appliance when requesting service.

The rating plate can be found inside the hood shell.

To avoid having to search for each piece of information when calling, you can enter the four items needed in the spaces below.

Model No.	/															
FD date <i>4 digits</i>																
Serial No. <i>18 digits</i>																
Date of Purchase	/	/														

Keep your invoice or escrow papers for warranty validation if service is needed.

Service

We realize that you have made a considerable investment in your kitchen. We are dedicated to supporting you and your appliance so that you have many years of creative cooking.

Please don't hesitate to contact our STAR® Customer Support Department if you have any questions or in the unlikely event that your THERMADOR® appliance needs service. Our service team is ready to assist you.

USA

800-735-4328
www.thermador.com/support

Canada

800-735-4328
www.thermador.ca

Parts and accessories

Parts, filters, descalers, stainless steel cleaners and more can be purchased in the THERMADOR® eShop or by phone.

USA

<http://store.thermador.com/us>

Canada

- If you live in any of the Atlantic provinces, Ontario or Québec, contact:
Marcone 1.800.287.1627
- If you live in any of the Territories, Manitoba, Saskatchewan, Alberta, or British Columbia, contact:
Reliable Parts 1.800.663.6060

Table des MATIÈRES

DÉFINITIONS DES TERMES DE SÉCURITÉ	19	TABLEAU DES ÉQUIVALENCES DE CONDUITS	26
CONSIGNES DE SÉCURITÉ IMPORTANTES	20-23	INSTALLATION	27-31
Installation adéquate et entretien.....	21	Préparation de l'armoire	27
Sécurité incendie.....	22	Préparation de la hotte	27
Avertissements relatifs à la Proposition 65 de l'État de Californie.	23	Installation de la hotte	28
Protection de l'environnement	23	Raccordement du conduit	29
Causes de dommage.....	23	Installation électrique.....	30-31
AVANT DE COMMENCER.....	24	Filtres pour mode recirculation.....	31
Outils et matériaux nécessaires	24	DÉPANNAGE.....	32
Pièces fournies	24	ASSISTANCE THERMADOR®.....	33
Dimensions de l'appareil	24	Avant d'appeler le service à la clientèle	33
Accessoires optionnels	24	Plaque signalétique.....	33
PLANIFICATION DE LA POSE	25	Service.....	33
Installation du conduit	25	Pièces et accessoires.....	33
Préparation des conduits.....	25		

Cet appareil THERMADOR est fabriqué par

BSH Home Appliances Corporation

1901 Main Street, Suite 600

Irvine, CA 92614 États-Unis

Des questions?

1 800 735-4328

www.thermador.com

N'hésitez pas à communiquer avec nous!

DÉFINITIONS DES TERMES DE SÉCURITÉ

▲ AVERTISSEMENT

Ceci indique que le non-respect de cet avertissement peut causer des blessures graves ou la mort.

▲ ATTENTION

Ceci indique que le non-respect de cet avertissement peut causer des blessures légères ou modérées.

AVIS: Ceci indique que le non-respect de cet avis peut entraîner des dommages matériels.

REMARQUE: Ceci vous avertit de renseignements ou conseils importants.

CONSIGNES DE SÉCURITÉ IMPORTANTES

LISEZ CES DIRECTIVES ET CONSERVEZ-LES

AVERTISSEMENT

Lisez attentivement ces instructions avant d'utiliser l'appareil. Ces précautions réduiront les risques de brûlures, de chocs électriques, d'incendie et de blessures. Lorsque vous utilisez des appareils électroménagers, il est indispensable de suivre des précautions de sécurité de base, notamment celles indiquées dans les pages suivantes.

Inspectez l'appareil après l'avoir déballé. S'il a été endommagé durant le transport, ne le branchez pas.

AVERTISSEMENT

OBSERVEZ LES DIRECTIVES CI-DESSOUS AFIN DE RÉDUIRE LES RISQUES D'INCENDIE, DE CHOC ÉLECTRIQUE OU DE BLESSURES CORPORELLES:

- N'utilisez cet appareil que de la manière prévue par le fabricant. Si vous avez des questions, communiquez avec le fabricant.
- Avant de procéder à l'entretien ou au nettoyage de l'appareil, coupez l'alimentation du panneau électrique et verrouillez l'interrupteur principal afin d'empêcher que le courant ne soit accidentellement rétabli.
- S'il est impossible de verrouiller l'interrupteur principal, fixez solidement un message d'avertissement, par exemple une étiquette, sur le panneau électrique.

AVERTISSEMENT

AVERTISSEMENT – OBSERVEZ LES DIRECTIVES CI-DESSOUS AFIN DE RÉDUIRE LES RISQUES D'INCENDIE, DE CHOC ÉLECTRIQUE OU DE BLESSURES CORPORELLES:

- La pose de l'appareil et les travaux d'électricité doivent être effectués par des personnes qualifiées en respectant la réglementation en vigueur, notamment les codes et les normes de la construction concernant la protection contre les incendies.
- Pour éviter les refoulements, l'apport d'air doit être suffisant pour brûler les gaz produits par les appareils à combustion et les évacuer dans le conduit de fumée (cheminée). Respectez les directives du fabricant de l'appareil de chauffage et les normes de sécurité, notamment celles publiées par la National Fire Protection Association (NFPA), l'American Society for Heating, Refrigeration and Air Conditioning Engineers (ASHRAE) et les codes des autorités locales.
- Veillez à ne pas endommager le câblage électrique ou d'autres équipements non apparents lors de la découpe ou du perçage du mur ou du plafond.
- Les ventilateurs raccordés à des conduits doivent toujours rejeter l'air à l'extérieur.

INSTALLATEUR: LAISSEZ CES INSTRUCTIONS AVEC L'APPAREIL UNE FOIS L'INSTALLATION TERMINÉE.

PROPRIÉTAIRE: CONSERVEZ CES INSTRUCTIONS POUR L'USAGE DE L'INSPECTEUR LOCAL.

CONSIGNES DE SÉCURITÉ IMPORTANTES

LISEZ CES DIRECTIVES ET CONSERVEZ-LES

Installation adéquate et entretien

AVERTISSEMENT

Enlevez tous les rubans adhésifs et l'emballage avant d'utiliser l'appareil. Jetez l'emballage une fois l'appareil déballé. Ne laissez jamais les enfants jouer avec le matériel d'emballage.

INSTALLATEUR: Indiquez au propriétaire l'emplacement du disjoncteur ou du fusible. Marquez-le pour le repérer facilement.

Faites appel à un technicien qualifié pour installer correctement l'appareil et effectuer la mise à la terre. Branchez-le uniquement à une prise correctement mise à la terre. Consultez les instructions d'installation pour obtenir plus de détails.

Cet appareil est prévu pour une utilisation normale dans un foyer uniquement. Il n'est pas homologué pour une utilisation à l'extérieur. Si vous avez des questions, communiquez avec le fabricant.

N'utilisez et ne rangez pas des produits chimiques corrosifs, des produits émettant des vapeurs, des produits inflammables ou des produits non alimentaires dans ou à proximité de l'appareil. Il est spécialement conçu pour être utilisé durant le réchauffage ou la cuisson d'aliments. L'utilisation de produits chimiques corrosifs lors du chauffage ou du nettoyage détériore l'appareil et peut causer des blessures.

N'utilisez pas cet appareil s'il est défectueux ou endommagé. Communiquez avec un centre de réparation agréé.

Ne réparez ou ne remplacez aucune pièce de l'appareil à moins que ce manuel ne le recommande spécifiquement. Confiez l'entretien à un centre de réparation agréé par l'usine.

AVERTISSEMENT

L'installation inappropriée d'appareils à gaz et de hottes peut engendrer des risques d'émission de monoxyde de carbone pouvant être nocive. Pour réduire le risque d'empoisonnement au monoxyde de carbone, s'assurer que l'appareil à gaz est installé convenablement selon les directives du fabricant et que la hotte évacue la fumée et les gaz à l'extérieur.

Référez-vous aux codes de construction locaux pour connaître les plus récentes exigences et restrictions pour l'installation de hottes en mode recirculation.

ATTENTION

Les graisses résiduelles sur les filtres peuvent fondre, passer dans le conduit et prendre feu.

AVERTISSEMENT

Les surfaces masquées peuvent comporter des arêtes tranchantes. Soyez prudent lorsque vous travaillez sur l'arrière, à l'intérieur ou le dessous de l'appareil.

AVERTISSEMENT

L'appareil nécessite deux personnes pour l'installer.

AVERTISSEMENT

Lorsque la hotte est utilisée en mode d'évacuation d'air simultanément avec un autre appareil qui utilise la même cheminée (par exemple des brûleurs au gaz, au pétrole ou au charbon, des brûleurs à flux continu ou des chaudières), il est important de vous assurer d'une alimentation adéquate en air frais pour l'appareil à combustion. C'est le cas si l'air de combustion peut circuler par des ouvertures non verrouillables, par exemple par les portes, les fenêtres ou à travers une boîte murale d'admission ou d'évacuation d'air ou par d'autres moyens techniques, par exemple un verrouillage réciproque, etc.

AVERTISSEMENT

Air d'appoint : il se peut que les codes de la construction locaux exigent l'utilisation d'un système d'air d'appoint si vous utilisez un système de ventilation canalisé dont le volume (en pi³/min.) est supérieur au volume de déplacement d'air spécifié. Le volume spécifié varie d'un endroit à l'autre. Consulter un spécialiste en chauffage, ventilation et climatisation en ce qui concerne les exigences particulières à votre région.

REMARQUE: Lors de l'évaluation de l'ensemble des exigences, il est important de considérer tout le système de ventilation de la maison. Cette règle ne s'applique pas à l'utilisation d'appareils de cuisine, par exemple des surfaces de cuisson ou des fours.

AVERTISSEMENT

Pour éviter les risques de chocs électriques, avant l'installation, coupez le courant et verrouillez le panneau électrique afin d'éviter que le courant soit rétabli accidentellement. Exigence : 120 VCA, 60 Hz, 15 A.

AVERTISSEMENT

Dispositif automatique.
Pour réduire le risque de blessure, débranchez toujours l'appareil de la source d'alimentation avant tout entretien.

Instructions de mise à la terre

Cet appareil doit être mis à la terre. La mise à la terre réduit les risques de décharge électrique en fournissant au courant électrique un fil d'échappement lors d'un court-circuit. Assurez-vous que votre appareil est convenablement installé et mis à la terre par un technicien qualifié. L'installation, le branchement électrique et la mise à la terre doivent être conformes à tous les codes en vigueur. Si le Code national de l'électricité (ou le code Canadien de l'électricité) l'exige, cet appareil doit être installé sur un circuit de dérivation séparé.

Normes et codes de sécurité

Cet appareil est conforme à une ou plusieurs des normes suivantes :

- UL 507 – norme visant la sécurité en matière de ventilateurs électriques
- CAN/CSA-C22.2 No 113 – ventilateurs

Il est de la responsabilité du propriétaire et de l'installateur de déterminer les exigences ou les normes supplémentaires pouvant s'appliquer à des installations particulières.

CONSIGNES DE SÉCURITÉ IMPORTANTES

LISEZ CES DIRECTIVES ET CONSERVEZ-LES

Sécurité incendie

AVERTISSEMENT

Utilisez cet appareil uniquement aux fins auxquelles il a été conçu, tel qu'il est indiqué dans ce manuel.

Ayez toujours un détecteur de fumée fonctionnel près de la cuisine. Si vos vêtements ou vos cheveux prennent feu, roulez-vous par terre immédiatement pour éteindre les flammes.

Assurez-vous d'avoir à portée de main un extincteur, bien visible et facilement accessible près de l'appareil.

Étouffez les flammes des feux d'aliments autres que des feux de graisse avec du bicarbonate de sodium. N'utilisez jamais de l'eau sur un feu de cuisine.

AVERTISSEMENT

OBSERVEZ LES CONSIGNES SUIVANTES DE MANIÈRE À RÉDUIRE LES RISQUES DE BLESSURES CORPORELLES EN CAS D'INCENDIE CAUSÉ PAR DE LA GRAISSE SUR LA SURFACE DE CUISSON:^a

- ÉTOUFFEZ LES FLAMMES à l'aide d'un couvercle étanche, d'une tôle à biscuits ou d'un plateau en métal puis éteignez le brûleur. FAITES ATTENTION DE NE PAS VOUS BRÛLER. Si les flammes ne s'éteignent pas immédiatement, QUITTEZ LES LIEUX ET APPELEZ LES POMPIERS.
- NE SOULEVEZ JAMAIS UNE CASSEROLE EN FLAMMES – vous pourriez vous brûler.
- N'UTILISEZ PAS D'EAU, ni de serviettes ou de linges mouillés – une violente explosion de vapeur pourrait survenir.
- Utilisez un extincteur SEULEMENT si:
 - Vous savez qu'il est de classe ABC et vous connaissez déjà son mode de fonctionnement.
 - Le feu n'est pas très important et ne se propage pas.
 - Les pompiers ont déjà été avisés.
 - Vous pouvez combattre l'incendie en faisant dos à une sortie.

^a Conseils tirés de la publication de la NFPA « Kitchen Fire Safety Tips ».

Dans la mesure du possible, n'utilisez pas le système de ventilation en cas de feu sur la surface de cuisson. Cependant, ne traversez pas le feu pour l'éteindre.

Scellez les points de raccordement des conduits de manière appropriée.

- Les conduits doivent rejeter l'air à l'extérieur, et non dans des greniers par exemple.

AVERTISSEMENT

RISQUE D'INCENDIE

Lorsque les brûleurs à gaz sont actionnés sans aucun ustensile de cuisson placé dessus, ils peuvent produire une chaleur intense. Un appareil de ventilation installé au-dessus de la cuisinière peut être endommagé ou prendre feu. N'utilisez les brûleurs que lorsque des ustensiles de cuisson sont placés dessus.

AVERTISSEMENT

RISQUE D'INCENDIE

L'huile et la graisse chaudes prennent feu rapidement. Ne laissez jamais de l'huile et de la graisse chaudes sans surveillance. N'éteignez jamais un feu avec de l'eau. Éteignez l'élément de cuisson. Étouffez prudemment les flammes à l'aide d'un couvercle, d'une couverture pare-feu ou d'un accessoire similaire.

AVERTISSEMENT

RISQUE D'INCENDIE

Les dépôts de graisse dans le filtre à graisses peuvent prendre feu. Nettoyez le filtre à graisses à tous les deux mois ou aussi souvent que nécessaire. N'utilisez jamais l'appareil sans filtre à graisses.

AVERTISSEMENT

RISQUE D'INCENDIE

N'utilisez que des conduits métalliques.

AVERTISSEMENT

RISQUES DE BRÛLURES

Les pièces accessibles chauffent en cours d'utilisation. Ne touchez jamais les pièces chaudes.

ATTENTION

Il est recommandé de porter des gants et des manches longues pour se protéger les mains et les avant-bras des éraflures et d'éventuelles égratignures lors de l'installation.

CONSIGNES DE SÉCURITÉ IMPORTANTES

LISEZ CES DIRECTIVES ET CONSERVEZ-LES

Avertissements relatifs à la proposition 65 de l'État de Californie

AVERTISSEMENT

Ce produit pourrait contenir un produit chimique reconnu par l'État de la Californie comme cancérigène ou ayant des effets nocifs sur la reproduction. Par conséquent, l'emballage de votre produit pourrait porter l'étiquette suivante, comme requis par la Californie :

AVERTISSEMENT ISSU DE LA PROPOSITION 65 DE L'ÉTAT
DE LA CALIFORNIE :



AVERTISSEMENT

Cancer et dommages à la reproduction -
www.P65Warnings.ca.gov

Protection de l'environnement

Déballer l'appareil et mettre l'emballage au rebut conformément aux exigences environnementales.

Causes de dommages

Risque de dommages causés par un refoulement de la condensation. Installez le conduit de sortie de manière à ce qu'il soit légèrement incliné par rapport à l'appareil (inclinaison de 1°).

AVANT DE COMMENCER

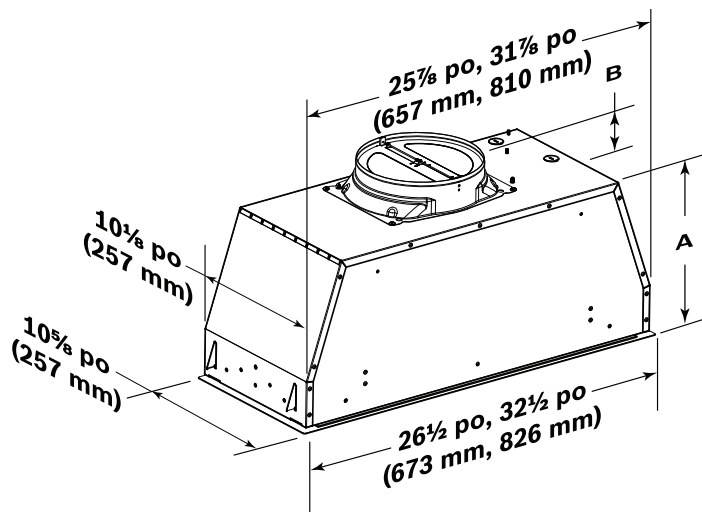
Outils et matériaux nécessaires (non inclus)

- Réducteur de tension de 7/8 po de diamètre homologué UL
- 2 blocs en bois de 7¼ po de long x 2 po de hauteur minimum, d'épaisseur convenant aux dimensions de l'armoire (voir Préparation de l'armoire en page 27)
- Vis à bois à tête fraisée n° 8 (pour fixer les blocs de bois à l'armoire)
- Ruban adhésif d'aluminium (NE PAS UTILISER de ruban d'électricien)
- Ruban à mesurer
- Crayon
- Perceuse
- Foret à bois 1/8 po
- Scie sauteuse
- Pince à dénuder ou couteau à lame rétractable
- Tournevis cruciforme n° 2
- Cisailles
- Gants de travail et lunettes de sécurité

ATTENTION

Il est recommandé de porter des gants et des manches longues pour se protéger les mains et les avant-bras des éraflures et d'éventuelles égratignures lors de l'installation.

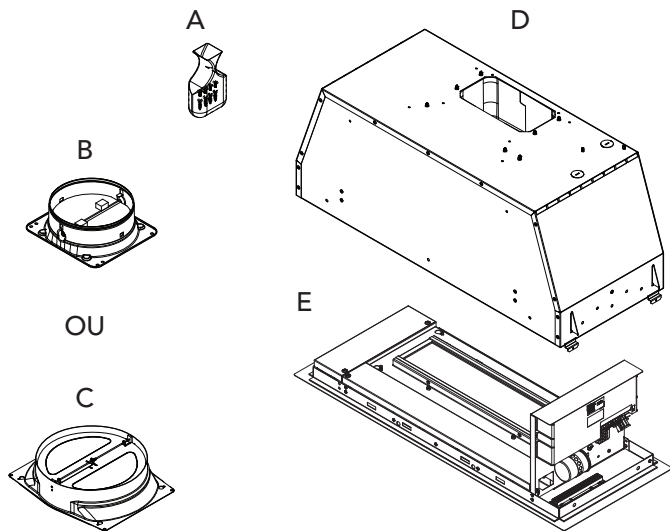
Dimensions de l'appareil



- A: 10½ po (267 mm) appareil avec l'ensemble module et cadre installé
 A: 10¼ po (260 mm) appareil dont l'ensemble module et cadre n'est pas installé
 B: Raccord de conduit rond de 6 po : 2 ¾ (60 mm)
 B: Raccord de conduit rond de 8 po : 2 ⅛ po (54 mm)

Pièces fournies

Déballer l'appareil et vérifier le contenu de la boîte.



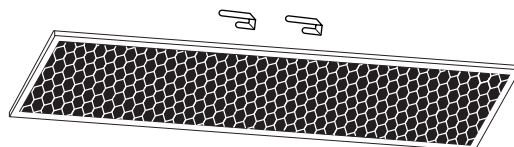
- A: Sachet de pièces comprenant : 8 vis cruciformes n° 8 x 3/8 po et 4 vis cruciformes n° 8 x 3/4 po
 B: Raccord de conduit rond de 6 po pour les modèles VCI3B30ZS ou VCI3B36ZS
 C: Raccord de conduit rond de 8 po pour les modèles VCI6B30ZS ou VCI6B36ZS
 D: Coque de l'appareil
 E: Ensemble module et cadre.

Accessoires optionnels

Les accessoires optionnels s'achètent séparément.

Ensembles de filtre au charbon

Ensemble de filtre au charbon (obligatoire seulement pour une installation en recirculation). Voir le tableau ci-dessous pour les numéros de pièce :



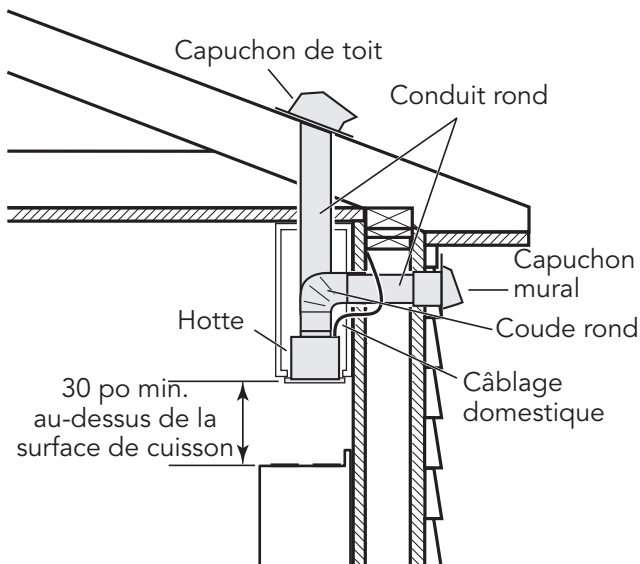
Modèle d'appareil	Ensemble de filtre au charbon
VCI3B30ZS	CHFVCI30ZS
VCI6B30ZS	
VCI3B36ZS	CHFVCI36ZS
VCI6B36ZS	

Commande à distance

- REMCPW: Commande à distance optionnelle

PLANIFICATION DE LA POSE

Installation du conduit (installation avec conduit seulement)



La hauteur d'installation de la hotte au-dessus de la surface de cuisson peut varier. Pour obtenir la hauteur d'installation nécessaire au-dessus de la surface de cuisson, consultez le guide d'installation de l'appareil de cuisson ou le guide de combinaison.

AVIS: La hotte peut être endommagée par de la chaleur excessive si de multiples éléments ou brûleurs de la surface de cuisson sont réglés à un niveau élevé sous la hotte installée à une hauteur minimale et qui n'est pas en fonction.

Distance de la surface de cuisson

La hauteur minimale d'installation recommandée au-dessus de la surface de cuisson est de 30 po (762 mm); toutefois, il est nécessaire de suivre les directives d'installation du fabricant de l'appareil de cuisson pour la bonne hauteur d'installation de la hotte.

Référez-vous aux codes de construction locaux pour connaître les plus récentes exigences et restrictions pour l'installation de hottes.

REMARQUE: Pour réduire les risques d'incendie, n'utilisez que des conduits métalliques.

La dimension du conduit varie selon le modèle installé :

Modèle	Conduit
VCI3B30ZS	6 po rond
VCI3B36ZS	6 po rond
VCI6B30ZS	8 po rond
VCI6B36ZS	8 po rond

1. Établir où passera le conduit entre la hotte et l'extérieur.
2. Un conduit droit et court permettra à votre hotte de fonctionner plus efficacement.
3. Un conduit long avec des coudes et des transitions réduira la performance de votre hotte. En utiliser le moins possible. Pour une grande distance, un conduit d'évacuation de l'air au diamètre plus grand peut être requis pour obtenir une meilleure performance.
4. Installer un capuchon de toit ou de mur (vendus séparément). Relier le conduit en métal au capuchon, puis acheminer le conduit jusqu'à l'emplacement de la hotte. Sceller hermétiquement les raccords à l'aide de ruban adhésif de métal de 2 po de largeur.

REMARQUE: Le fabricant n'assume aucune responsabilité pour les plaintes imputables à la section des conduits.

Préparation des conduits

RECOMMANDATIONS CONCERNANT LES CONDUITS

Pour assurer une bonne performance, il est impératif de disposer de conduits adéquats

AIR DE COMPENSATION: Il se peut que les codes de construction locaux préconisent l'utilisation de systèmes d'air de compensation avec des systèmes de conduits de ventilation brassant de l'air à un taux supérieur au nombre de pieds cubes par minute spécifié. Le taux spécifié en pieds cubes par minute varie d'un endroit à l'autre. Il incombe au propriétaire et à l'installateur de déterminer si des installations spécifiques sont régies par des exigences ou des normes supplémentaires.

NE PAS UTILISER DE CONDUITS FLEXIBLES; ils créent une contrepression / turbulence de l'air et réduisent la performance.

Installer toujours un couvercle d'évent métallique à l'endroit où le conduit sort de la maison.




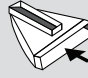

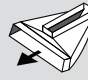


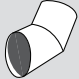

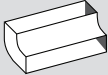

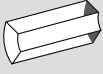


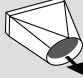
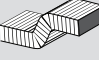
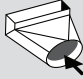

Par **TEMPS FROID**, les conduits des installations doivent être dotés d'un clapet antirefoulement pour minimiser le retour d'un flot d'air froid et d'une barrière thermique non métallique pour minimiser la conduction des températures extérieures.

Le clapet doit se trouver sur le côté à air froid de la barrière thermique. La barrière doit se trouver le plus près possible du point où le conduit pénètre dans la partie chauffée de la maison.

Par mesure de sécurité les conduits doivent rejeter l'air directement à l'extérieur (et non dans un grenier, sous la maison, dans le garage ou dans un espace fermé). L'appareil ne peut pas être utilisé conjointement avec un ensemble de recirculation si l'appareil de cuisson est au gaz.

THERMADOR® recommande de ne pas dépasser 50 pi (15 mètres) de conduit équivalent. Consulter le Tableau d'équivalence des conduits en page suivante.

TABLEAU DES ÉQUIVALENCES DE CONDUITS

Section de conduit		Dimensions (en pouces/ mm)	Équivalent en longueur (pieds/m)	Section de conduit		Dimensions (en pouces/ mm)	Équivalent en longueur (pieds/m)
	Lisse, droit	6 (152)	1,2 (0,37)		83 mm x 254 mm (3¼ po x 10 po) à coude 90° conduit rond	6 (152)	10 (3)
		8 (203)	0,7 (0,21)				
		10 (254)	0,6 (0,18)				
	83 mm x 254 mm (3¼ po x 10 po) droit	S.O.	1 (0,3)		83 mm x 254 mm (3¼ po x 10 po) coude inverse central, gauche	S.O.	15 (4,6)
	83 mm x 356 mm (3¼ po x 14 po), droit	S.O.	0,7 (0,21)		83 mm x 254 mm (3¼ po x 10 po) coude inverse central, droit	S.O.	25 (7,6)
	Coude 90°, conduit rond	6 (152)	12 (3,7)		83 mm x 254 mm (3¼ po x 10 po) coude inverse gauche	S.O.	15 (4,6)
		8 (203)	6 (1,8)				
		10 (254)	5 (1,5)				
	Coude 45°, conduit rond	6 (152)	5 (1,5)		83 mm x 254 mm (3¼ po x 10 po) coude inverse droit	S.O.	25 (7,6)
		8 (203)	3 (0,9)				
		10 (254)	2 (0,6)				
	Coude 90° rond, 83 mm x 254 mm (3¼ po x 10 po)	S.O.	5 (1,5)		Capuchon mural rond	6 (152)	2 (0,6)
	Coude 45° rond, 83 mm x 254 mm (3¼ po x 10 po)	S.O.	15 (4,6)			8 (203)	2 (0,6)
						10 (254)	2 (0,6)
	Coude plat, 83 mm x 254 mm (3¼ po x 10 po)	S.O.	20 (6,1)		Capuchon de toit rond	6 (152)	2 (0,6)
						8 (203)	2 (0,6)
						10 (254)	2 (0,6)
	83 mm x 254 mm (3¼ po x 10 po) à conduit rond	6 (152)	5 (1,5)		51 mm (2 po) de long, 83 mm x 254 mm (3¼ po x 10 po) flex.	S.O.	20 (6,1)
		8 (203)	2 (0,6)				
	Conduit rond à coude 90° 83 mm x 254mm (3¼ po x 10 po)	6 (152)	10 (3)		83 mm x 254 mm (3¼ po x 10 po) Évent de toiture et clapet	S.O.	2 (0,6)

REMARQUE : Ces pièces d'installation couramment utilisées sont en vente dans les quincailleries locales. THERMADOR® ne fabrique pas ces pièces.

Mesures en pouces (millimètres).

INSTALLATION

AVERTISSEMENT

Enlevez tous les rubans adhésifs et l'emballage avant d'utiliser l'appareil. Jetez l'emballage une fois l'appareil déballé. Ne laissez jamais les enfants jouer avec le matériel d'emballage.

Préparation de l'armoire

REMARQUES: A. La hauteur intérieure de l'armoire doit être de 15 po minimum, sauf si le conduit d'évacuation est configuré horizontalement; dans ce cas, la hauteur minimale de l'intérieur de l'armoire doit être de 23 po pour permettre l'installation d'un coude de 90°.

B. La hotte doit être installée centrée au-dessus de la surface de cuisson.

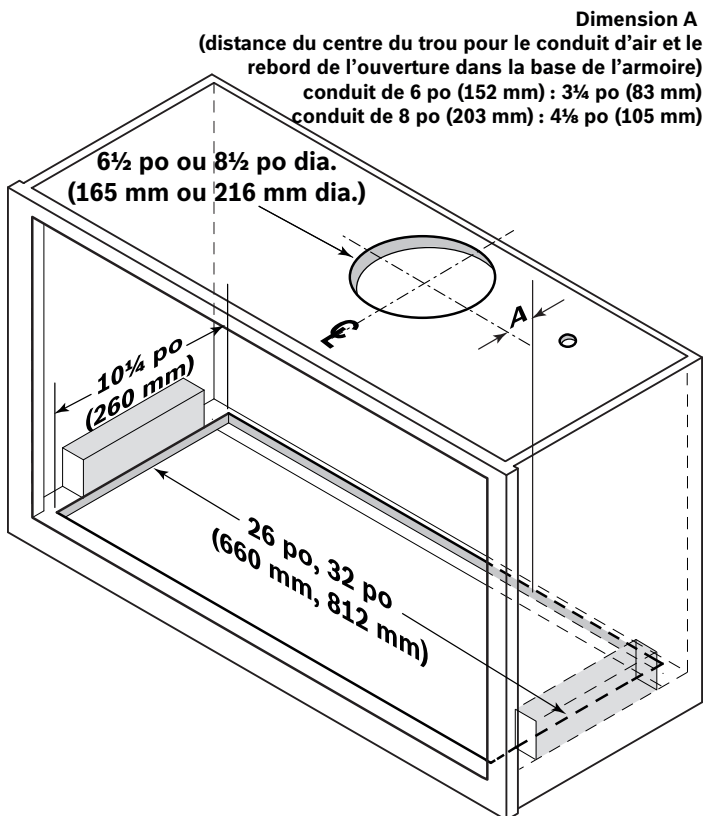
L'armoire doit résister à des températures allant jusqu'à 194° F (90° C).

La stabilité de l'armoire doit aussi être garantie après les travaux de découpe.

1. Découper un trou centré dans la base de l'armoire, aux dimensions indiquées.
2. Découper les trous pour le conduit d'évacuation et pour le câblage domestique, sur le dessus de l'armoire.

REMARQUE: Même pour une installation sans conduit, un trou doit être pratiqué pour permettre à l'air d'être évacué à travers une grille (non incluse).

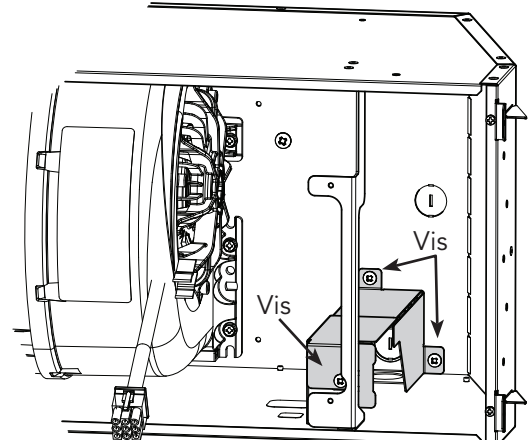
Une fois les travaux de découpe terminés, retirer les copeaux.



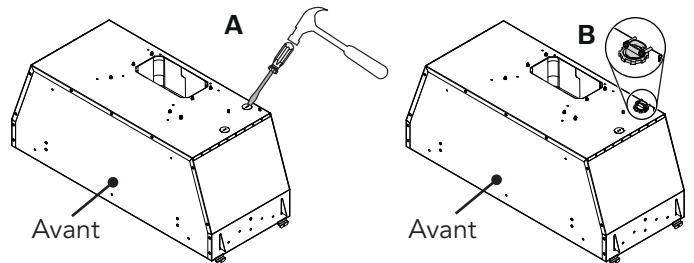
3. Centrer et fixer 2 blocs de bois (non inclus) de 2 po minimum de hauteur x 7 1/4 po maximum de longueur (l'épaisseur doit remplir et non excéder l'espace à l'intérieur de l'armoire), à gauche et à droite du trou, au ras des rebords (les vis pour fixer les blocs de bois ne sont pas incluses).

Préparation de la hotte

1. Désassembler les deux sections du couvercle du compartiment électrique (pièces en gris dans l'illustration ci-dessous) de l'intérieur de la hotte en retirant les 3 vis de retenue. Mettre les sections de couvercle de côté avec les vis.

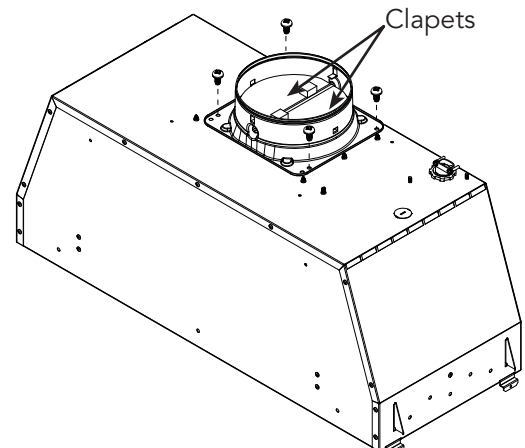


2. Perforer l'ouverture préamorcée sur le dessus de l'appareil (A), puis installer un réducteur de tension de 7/8 po de diamètre homologué UL (B) (non inclus).



3. Fixer le raccord de conduit rond de 6 po inclus (pour les modèles VCI3B30ZS ou VCI3B36ZS) ou le raccord de conduit rond de 8 po inclus (pour les modèles VCI6B30ZS ou VCI6B36ZS) au dessus de la hotte en utilisant 4 vis n° 8 x 3/8 po (incluses dans le sachet de pièces). Sceller les joints avec du ruban adhésif d'aluminium.

REMARQUE: Si la hotte sera installée sans conduit, retirer les deux clapets du raccord de conduit.

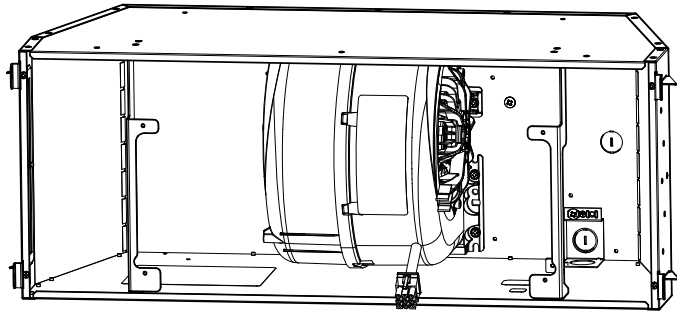


INSTALLATION

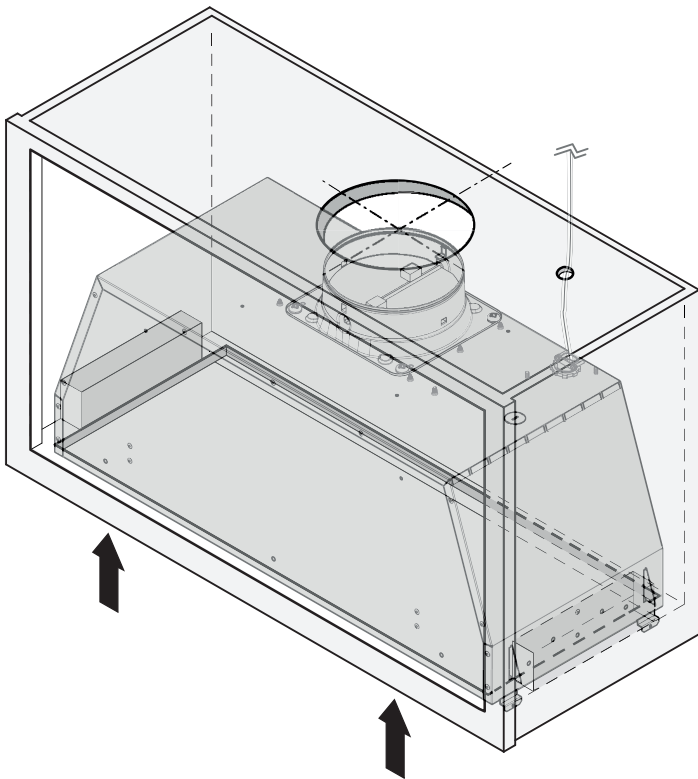
Installation de la hotte

1. Acheminer le câble d'alimentation depuis le panneau de distribution de la maison jusqu'à l'emplacement de la hotte. Prévoir une longueur de 3 pieds à l'intérieur de l'armoire. Fixer le câble d'alimentation à la hotte à l'aide du réducteur de tension installé précédemment.

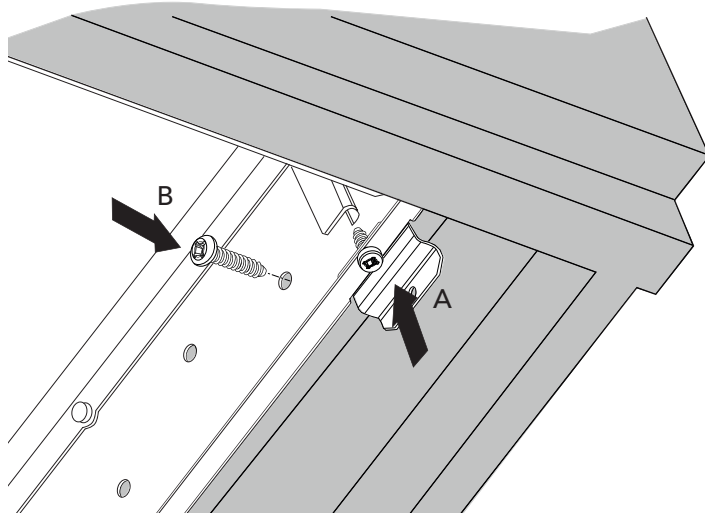
REMARQUE: La sortie du ventilateur doit être située au fond, à l'arrière de l'armoire et le compartiment électrique doit être à droite.



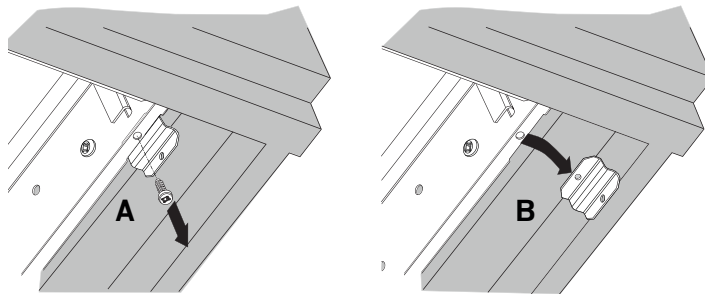
2. Insérer la hotte dans l'armoire; les taquets à ressort (2 par côté) s'appuieront sur le rebord. S'assurer que tous les taquets soient appuyés avant de relâcher la hotte.



3. Lever la hotte jusqu'à ce que ses supports d'installation s'appuient sur l'armoire (A). Fixer la hotte aux blocs de bois installés précédemment à l'aide de (4) vis à bois incluses dans le sachet de pièces (2 vis par côté) (B). Voir l'illustration ci-dessous.



4. Retirer les 4 supports d'installation (1 support par coin). Pour chacun des supports, retirer la vis (A), puis incliner le support (B) pour le désengager de l'armoire. Se défaire des supports et des vis selon les lois et règlements en vigueur.



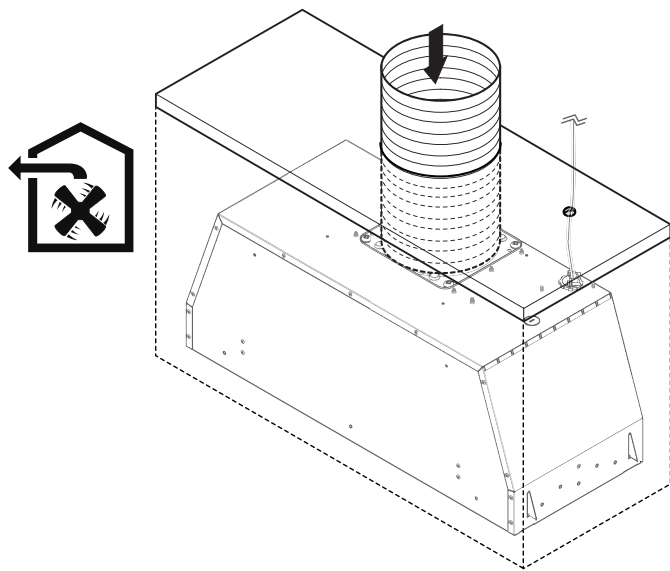
INSTALLATION

Raccordement du conduit

REMARQUES:

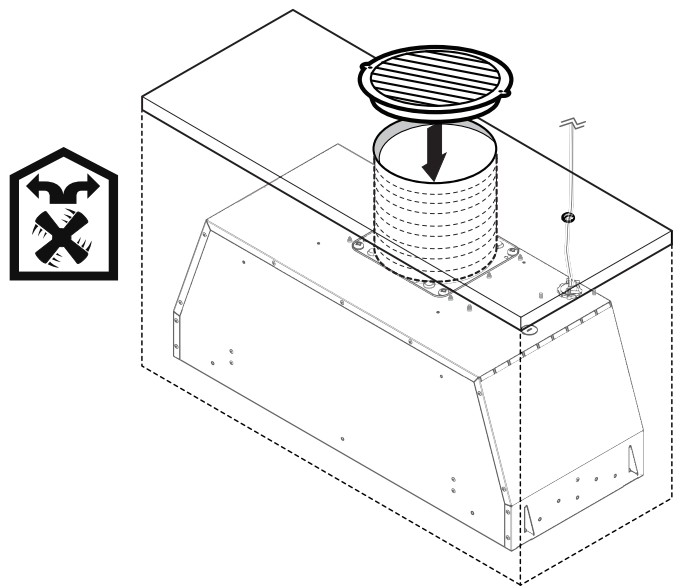
- En cas d'utilisation d'un tuyau en aluminium, lisser au préalable la zone de raccordement.
- Pour les modèles VCI3B30ZS ou VCI3B360ZS: Diamètre du conduit d'évacuation 6 po (150 mm).
- Pour le modèle VCI6B30ZS ou VCI6B360ZS: Diamètre du conduit d'évacuation 8 po (205 mm).

Effectuer le raccordement pour l'évacuation de l'air



1. Raccorder le conduit d'évacuation de l'air directement au raccord de conduit. Raccorder l'autre extrémité du conduit au conduit installé précédemment (menant jusqu'au capuchon de toit ou mural).
2. Sceller les joints avec du ruban adhésif de métal.

Effectuer le raccordement pour la recirculation de l'air



1. Raccorder le conduit d'évacuation de l'air directement au raccord de conduit.
2. Raccorder l'autre extrémité du conduit à l'ouverture sur le dessus de l'armoire.
3. Visser la grille (non incluse) au dessus de l'armoire. Ajuster la grille de façon à ce que l'air puisse circuler librement.
4. Sceller les joints avec du ruban adhésif de métal.
5. Installer le filtre au charbon.

AVERTISSEMENT

L'installation inappropriée d'appareils à gaz et de hottes peut engendrer des risques d'émission de monoxyde de carbone pouvant être nocive. Pour réduire le risque d'empoisonnement au monoxyde de carbone, s'assurer que l'appareil à gaz est installé convenablement selon les directives du fabricant et que la hotte évacue la fumée et les gaz à l'extérieur.

Référez-vous aux codes de construction locaux pour connaître les plus récentes exigences et restrictions pour l'installation de hottes en mode recirculation.

INSTALLATION

Installation électrique

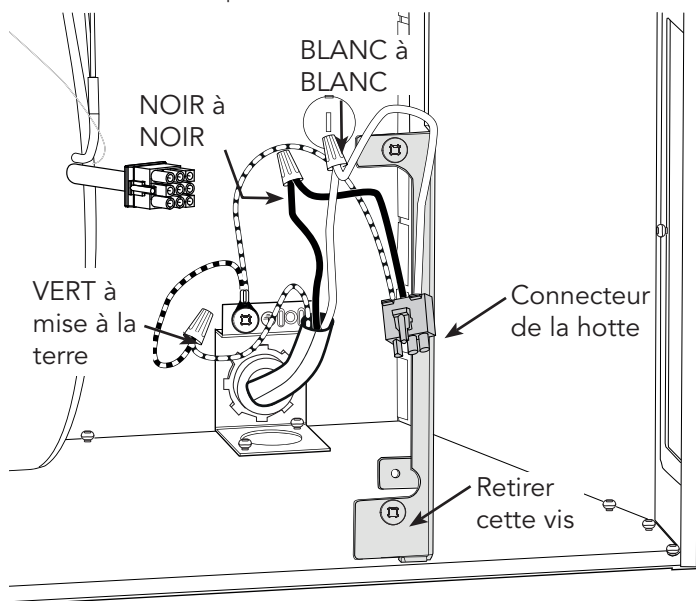
⚠ ATTENTION

La pose de l'appareil et les travaux d'électricité doivent être effectués par des personnes qualifiées en respectant la réglementation en vigueur, notamment les codes et les normes de la construction concernant la protection contre les incendies.

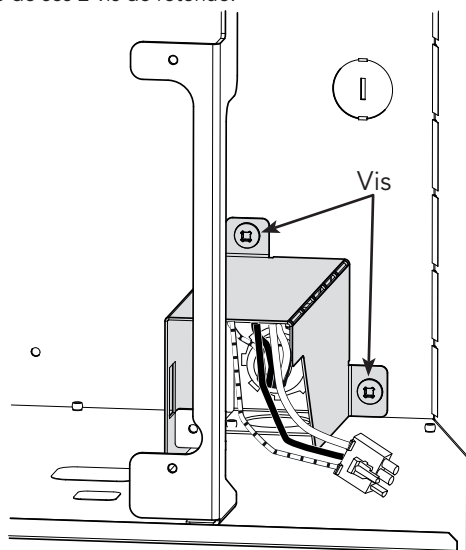
⚠ ATTENTION

Avant d'effectuer le branchement, couper l'alimentation électrique au panneau de distribution et le verrouiller pour éviter une mise en marche accidentelle.

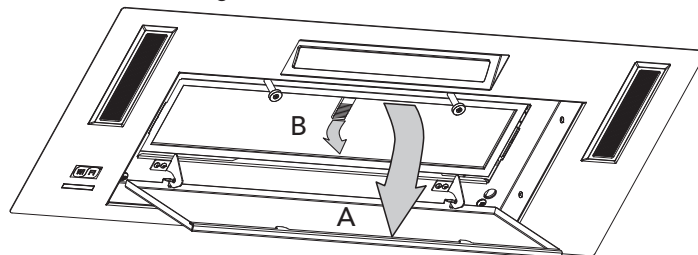
1. Effectuer le branchement électrique comme suit : à l'aide de capuchons de connexion approuvés par UL, connecter le fil NOIR du câblage domestique au fil NOIR du connecteur de la hotte, le fil BLANC du câblage domestique au fil BLANC du connecteur de la hotte et le fil VERT ou dénudé du câblage domestique au fil VERT du connecteur de la hotte. Puis, retirer et mettre de côté pour usage ultérieur la vis indiquée dans l'illustration ci-dessous.



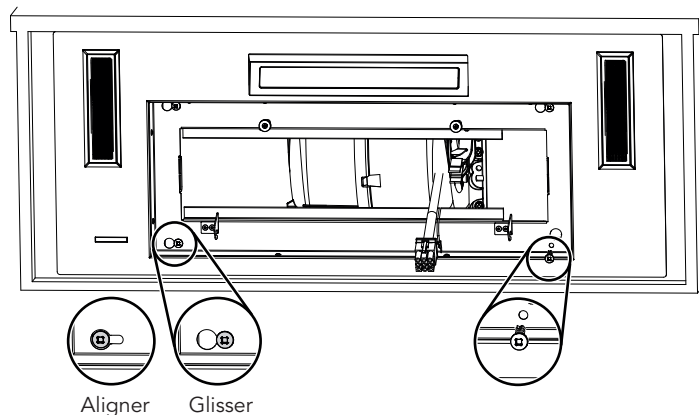
2. Remettre en place la section supérieure du compartiment électrique à l'aide de ses 2 vis de retenue.



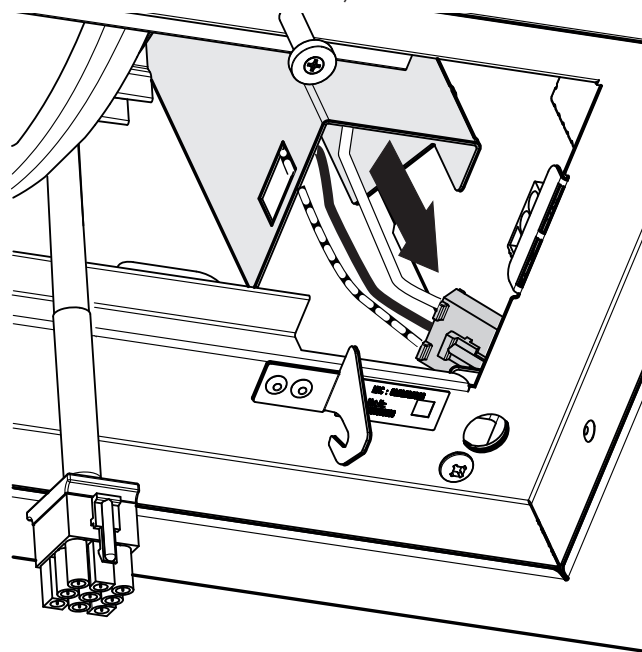
3. Ouvrir et retirer le panneau décoratif (A) de l'ensemble module et cadre, puis retirer et mettre de côté le filtre de l'ensemble module et cadre en tirant sur sa languette (B).



4. Assembler l'ensemble de module et cadre à la coque de la hotte; aligner les fentes en forme de trou de serrure aux 3 vis restantes situées sur le support de l'ensemble module et cadre. Le glisser vers la gauche jusqu'à ce que les vis soient engagées dans la partie étroite des fentes en trou de serrure (voir les médaillons de gauche). Remettre en place la vis retirée à l'étape 1, puis serrer les 3 vis restantes pour fixer l'ensemble de module et cadre à la hotte.

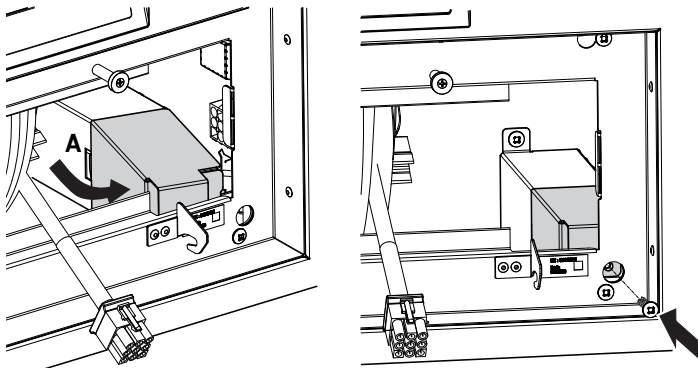


5. Brancher le connecteur de la hotte à son connecteur (pièce en gris foncé dans l'illustration ci-dessous).



INSTALLATION

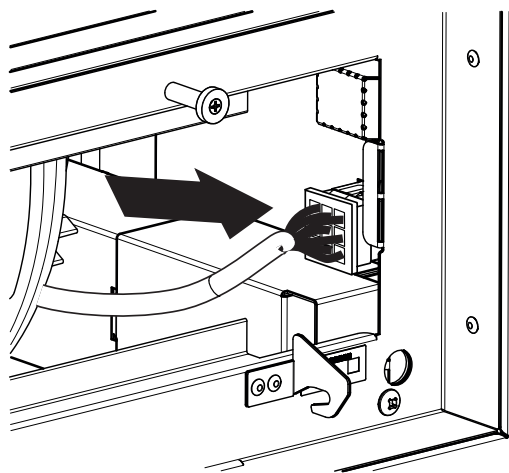
6. Assembler la section restante du couvercle du compartiment électrique à la première section en insérant la patte dans la fente latérale (A) tel qu'il est illustré ci-dessous. Fixer cette section à l'intérieur de la hotte à l'aide de la vis retirée précédemment.



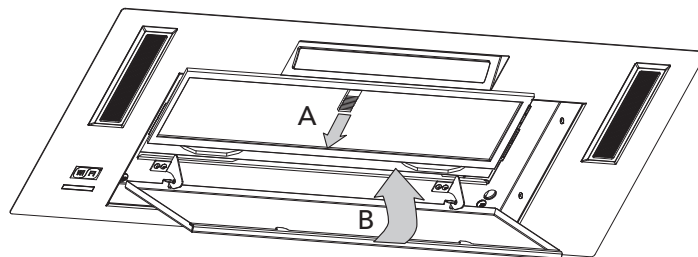
⚠ ATTENTION

S'assurer de ne pas pincer les fils lors de la remise en place du couvercle du compartiment électrique.

7. Brancher le ventilateur à son connecteur à l'intérieur de la hotte.



8. Remettre en place le filtre (A) et le panneau décoratif, puis fermer celui-ci (B).



9. Rétablir le courant au panneau de distribution, puis vérifier le fonctionnement de la hotte (voir le manuel de l'utilisateur).

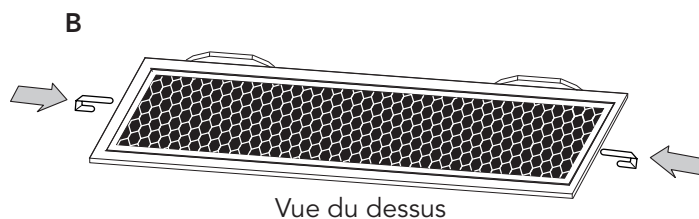
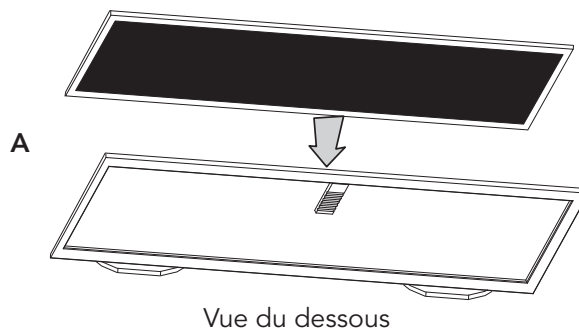
Filtere pour le mode recirculation

En mode recirculation, un filtre au charbon doit être installé afin de capturer les odeurs de cuisson. Les ensembles de filtre au charbon requis sont offerts en vente chez des détaillants spécialisés, auprès de notre service à la clientèle ou par notre boutique en ligne. Consulter le tableau ci-dessous pour connaître l'ensemble de filtre au charbon convenant au modèle d'appareil.

Modèle d'appareil	Ensemble de filtre au charbon
VCI3B30ZS	CHFVCI30ZS
VCI6B30ZS	
VCI3B36ZS	CHFVCI36ZS
VCI6B36ZS	

Installation du filtre pour le mode recirculation

1. Retirer le filtre à graisses de la hotte et déposer le filtre au charbon (inclus dans l'ensemble de filtre au charbon) sur son dos (A). Tenir en place le filtre au charbon à l'aide des 2 clips (incluses dans l'ensemble de filtre au charbon) (B).



2. Remettre en place le filtre à graisses.

DÉPANNAGE

Il est souvent facile de résoudre par vous-même des problèmes qui peuvent survenir. Avant de contacter le service à la clientèle, veuillez tenir compte des informations suivantes.

AVERTISSEMENT

RISQUE DE CHOC ÉLECTRIQUE

Les réparations non conformes sont dangereuses. Seul un technicien autorisé peut exécuter les réparations et peut remplacer les connexions endommagées. Si l'appareil est endommagé, retirer le fusible ou couper le courant au panneau de distribution. Appeler le service à la clientèle.

Anomalie	Cause possible et solution
Bruit lors du fonctionnement	<p>Il est normal que les vibrations et les mouvements d'air produisent du bruit.</p> <ul style="list-style-type: none">• Un bruit excessif pourrait être le résultat de l'une ou l'autre des causes suivantes:<ul style="list-style-type: none">-- le conduit est trop petit ou sous-dimensionné;-- le conduit est trop grand ou surdimensionné;-- le conduit n'est pas bien fixé en place;-- la pièce de transition est trop petite ou mal fixée;-- les vis à bois ne sont pas assez serrées; <p>Consultez le Manuel d'installation pour vous assurer que la taille du conduit utilisé est la bonne. Serrez les vis.</p>
Bruit lorsque l'appareil est éteint.	<ul style="list-style-type: none">• Le vent fait bouger le clapet du capuchon mural à l'extrémité du conduit située à l'extérieur. Cela est normal.
L'éclairage et le ventilateur ne fonctionnent pas.	<ul style="list-style-type: none">• Le disjoncteur de la hotte n'est peut-être pas enclenché. Enclenchez le disjoncteur.
Le ventilateur ne fonctionne pas.	<ul style="list-style-type: none">• Alimentation électrique insuffisante.• Câblage électrique incorrect. <p>Consultez le Manuel d'installation pour obtenir de plus amples renseignements.</p>
La hotte fait sauter le disjoncteur.	<ul style="list-style-type: none">• Câblage électrique incorrect.• Circuit insuffisant.

Anomalie	Cause possible et solution
La hotte n'assure pas une bonne ventilation.	<ul style="list-style-type: none">• La hotte est peut-être installée trop haut au-dessus de la surface de cuisson.• La hotte n'est peut-être pas centrée au-dessus de la surface de cuisson.• Air d'appoint insuffisant.• Le vent en provenance d'une fenêtre ouverte près de la hotte nuit à la ventilation. Fermez toutes les fenêtres pour éliminer les courants d'air extérieurs.• Ouverture du conduit d'aération bloqué. Enlevez tous les éléments susceptibles de bloquer l'ouverture ou le conduit.• Un conduit est trop long, un trop grand nombre de coudes, des coudes installés côte à côte, ou un capuchon de toit ou mural trop petit peuvent tous nuire à la circulation de l'air.
Tonalité de panne	<ul style="list-style-type: none">• Deux bips courts retentissent chaque fois que l'utilisateur appuie sur un bouton pour obtenir une fonction qui n'est pas possible pour le système. <p>Le bip sonore peut être désactivé en appuyant simultanément sur les touches FILTER et LIGHTS pendant au moins 3 secondes. Si vous appuyez simultanément sur les touches FILTER et LIGHTS lorsque le bip sonore est désactivé, le bip sonore retentit.</p>
L'éclairage ne fonctionne pas.	<ul style="list-style-type: none">• Les modules DEL sont défectueux. <p>Les modules DEL ne sont remplaçables que par un technicien autorisé. Consulter la section Service dans la page Assistance Thermador®.</p>

ASSISTANCE THERMADOR®

Avant d'appeler le service à la clientèle

Premièrement, consulter la section Dépannage. Consulter la «Déclaration de garantie limitée du produit» dans le guide de l'utilisateur.

Pour joindre un représentant du service d'assistance, voir nos coordonnées dans la colonne de droite. Veuillez avoir sous la main les renseignements imprimés sur la plaque signalétique du produit au moment d'appeler.

Plaque signalétique

La plaque signalétique indique les numéros de modèle et de série. Consulter la plaque signalétique de l'appareil lors de toute demande d'assistance.

La plaque signalétique se trouve à l'intérieur de la coque de la hotte.

Pour éviter d'avoir à les rechercher en cas de besoin, vous pouvez inscrire ici les données de votre appareil et le numéro de téléphone du service à la clientèle.

N° de modèle	/															
Date FD 4 chiffres																
N° de série 18 chiffres																
Date d'achat	/ /															

Conserver votre facture ou contrat de dépôt pour valider la garantie en cas de demande de service.

Service

Nous sommes conscients que vous avez fait un investissement considérable dans votre cuisine. Nous nous engageons à vous aider à profiter de nombreuses années de cuisine créative avec votre appareil.

Pour toute question dans l'éventualité peu probable où votre appareil THERMADOR® nécessite une intervention, n'hésitez pas à communiquer avec notre service à la clientèle STAR®. Notre équipe d'assistance est prête à vous aider.

États-Unis

800 735-4328
www.thermador.com/us/support/customer-care

Canada

800 735-4328
www.thermador.ca/en/support

Pièces et accessoires

Vous pouvez vous procurer des pièces, filtres, détartrants, nettoyants pour acier inoxydable et plus à la boutique électronique THERMADOR® ou par téléphone.

États-Unis

www.thermador.com/us/accessories

Canada

www.thermador.ca/en/support/filters-cleaners-accessories

Tabla de CONTENIDO

DEFINICIONES DE SEGURIDAD.....	35	INSTALACIÓN	42-15
INSTRUCCIONES IMPORTANTES DE SEGURIDAD.....	36-7	Preparación del gabinete	42
Instalación y mantenimiento adecuados	37	Preparación de la campana	42
Seguridad en incendios	38	Instalación de la campana	43
Advertencias de la Propuesta 65 del estado de California.....	38	Conexión de los conductos	44
Protección del medioambiente	38	Instalación eléctrica.....	45-46
Causas de los daños	38	SOLUCIÓN DE PROBLEMAS	47
ANTES DE COMENZAR	39	SERVICIO TÉCNICO DE THERMADOR®	48
Herramientas y materiales necesarios	39	Antes de llamar a Servicio al Cliente	48
Piezas incluidas	39	Placa de identificación	48
Dimensiones de la unidad	39	Mantenimiento.....	48
Accesorios opcionales	39	Piezas y accesorios.....	48
PLANIFICACIÓN DE LA INSTALACIÓN	40		
Instalación del sistema de conductos.....	40		
Preparación del sistema de conductos.....	40		
TABLA DE CONDUCTOS EQUIVALENTES.....	41		

Este electrodoméstico THERMADOR está hecho por

**BSH Home Appliances Corporation
1901 Main Street, Suite 600
Irvine, CA 92614**

¿Tiene preguntas?

1-800-735-4328

www.thermador.com

¡Esperamos saber de usted!

DEFINICIONES DE SEGURIDAD

ADVERTENCIA

Esto indica que puede ocurrir la muerte o lesiones graves si no se acata esta advertencia.

PRECAUCIÓN

Esto indica que pueden ocurrir lesiones leves o moderadas si no se acata esta advertencia.

AVISO: Esto indica que pueden ocurrir daños al electrodoméstico o a la propiedad si no se acata este aviso.

Nota: Esto lo alerta sobre información importante o consejos.

⚠ INSTRUCCIONES IMPORTANTES DE SEGURIDAD

LEA Y GUARDE ESTAS INSTRUCCIONES

ADVERTENCIA

Lea todas las instrucciones detenidamente antes de usar. Estas precauciones reducirán el riesgo de descarga eléctrica, incendio y lesiones a las personas. Cuando use electrodomésticos de cocina, se deben tomar precauciones básicas de seguridad, incluso las de las siguientes páginas.

Examine el electrodoméstico después de desembalarlo. En caso de daños durante el transporte, no lo conecte.

ADVERTENCIA

PARA REDUCIR EL RIESGO DE INCENDIO, DESCARGA ELÉCTRICA O LESIONES A LAS PERSONAS, ACATE LO SIGUIENTE:

- Use esta unidad solo de la manera que destina el fabricante. Si tiene preguntas, comuníquese con el fabricante.
- Antes de realizar mantenimiento o limpiar la unidad, corte la energía desde el panel de servicio y bloquee los medios de desconexión del servicio para evitar que se encienda la energía accidentalmente.
- Cuando no se puede bloquear el medio de desconexión de servicio, fije firmemente un dispositivo de advertencia visible, como una etiqueta, en el panel de servicio.

ADVERTENCIA

PARA REDUCIR EL RIESGO DE INCENDIO, DESCARGA ELÉCTRICA O LESIONES A LAS PERSONAS, ACATE LO SIGUIENTE:

- El trabajo de instalación y el cableado eléctrico lo deben realizar personas calificadas, de acuerdo con todos los códigos y normas, incluso la construcción resistente al fuego.
- Se necesita suficiente aire para una combustión adecuada y el escape de gases a través del tiro (chimenea) del equipo que usa combustible, con el fin de evitar la contracorriente. Siga las normas de seguridad y pautas del fabricante del equipo de calefacción, como las publicadas por la Asociación Nacional de Protección contra Incendios (NFPA, National Fire Protection Association) y la Sociedad Americana para Ingenieros en Calefacción, Refrigeración y Aire Acondicionado (ASHRAE, American Society for Heating, Refrigeration and Air Conditioning Engineers), además de las autoridades del código local.
- Cuando corte o perforo en una pared o techo, no dañe el cableado eléctrico ni otros servicios ocultos.
- Los ventiladores con conducto siempre deben ventilar hacia el exterior.

INSTALADOR: DEJE ESTAS INSTRUCCIONES CON EL ELECTRODOMÉSTICO DESPUÉS DE COMPLETAR LA INSTALACIÓN.

PROPIETARIO: GUARDE ESTAS INSTRUCCIONES PARA QUE LAS USE EL INSPECTOR LOCAL.

⚠ INSTRUCCIONES IMPORTANTES DE SEGURIDAD

LEA Y GUARDE ESTAS INSTRUCCIONES

Instalación y mantenimiento adecuados

ADVERTENCIA

Retire todas las cintas y el embalaje antes de usar el electrodoméstico. Deseche el embalaje después de sacar el electrodoméstico. Nunca permita que los niños jueguen con el material de embalaje.

INSTALADOR: Muestre al propietario la ubicación del disyuntor o fusible. Márquelo para consultarlo fácilmente.

Un técnico calificado debe instalar y conectar correctamente a tierra este electrodoméstico. Conecte solo a un tomacorriente con conexión a tierra adecuada. Consulte las Instrucciones de instalación para conocer detalles.

Este electrodoméstico está destinado solo para uso doméstico normal. No está aprobado para uso en exteriores. Si tiene preguntas, comuníquese con el fabricante.

No almacene ni use productos químicos corrosivos, vapores, productos inflamables o no alimentarios dentro o cerca de este electrodoméstico. Está especialmente diseñado para su uso cuando calienta o cocina alimentos. El uso de productos químicos corrosivos durante el calentamiento o la limpieza dañará el electrodoméstico y podría provocar lesiones.

No opere este electrodoméstico si no funciona correctamente, o si se ha dañado. Comuníquese con un centro de servicio autorizado.

No repare ni reemplace ninguna pieza de este electrodoméstico, a menos que se recomiende específicamente en este manual. Derive todo el mantenimiento a un proveedor de servicio autorizado de la fábrica.

ADVERTENCIA

La instalación incorrecta de los aparatos de gas y de las campanas de ventilación puede crear un riesgo de monóxido de carbono que puede ser perjudicial. Para reducir el riesgo de intoxicación con monóxido de carbono, asegúrese de que los aparatos de gas estén bien instalados, conforme a las instrucciones del fabricante, y que los gases o humos de la campana se expulsen, de manera adecuada, hacia el exterior. Consultar los códigos locales de edificación por los últimos requisitos y restricciones a la instalación de productos de ventilación en modo recirculación.

PRECAUCIÓN

La grasa que queda en los filtros se puede derretir y entrar al ventilador.

ADVERTENCIA

Las superficies ocultas pueden tener bordes afilados. Tenga cuidado cuando meta la mano atrás, dentro o debajo del electrodoméstico.

ADVERTENCIA

Se recomienda que al menos dos personas realicen la instalación de este producto.

ADVERTENCIA

Cuando la campana se opera en modo de aire de escape simultáneamente con un electrodoméstico distinto que también usa la misma chimenea (como calentadores de gas, petróleo o carbón, calentadores de flujo continuo, calderas de agua caliente), se debe tener cuidado para garantizar que haya un suministro adecuado de aire fresco, el que necesitará el electrodoméstico para la combustión. Esto se puede lograr si el aire de combustión puede fluir a través de aberturas sin bloqueo, como puertas, ventanas y por medio de una caja de pared de aire de entrada y escape de aire, o mediante otros medios técnicos, como interbloqueo recíproco, etc.

ADVERTENCIA

Aire de reposición: Los códigos de construcción locales pueden exigir el uso de sistemas de aire de reposición cuando se usen sistemas de ventilación con conducto mayores que los CFM especificados de movimiento de aire. Los CFM especificados varían de un lugar a otro. Consulte con su profesional de HVAC para conocer los requisitos específicos de su área.

Nota: Cuando evalúe los requisitos generales, se debe considerar el sistema de ventilación combinada de toda la casa. Esta regla no se aplica al uso de equipos de cocción, como placas de cocción y hornos.

ADVERTENCIA

Para evitar el peligro de descarga eléctrica, antes de instalar, corte la energía en el panel de servicio y bloquee el panel para evitar que se encienda la energía accidentalmente. Requisito: 120 V CA, 60 Hz, 15 A.

ADVERTENCIA

Dispositivo de accionamiento automático. Para reducir el riesgo de lesiones, desconecte el suministro de energía antes de realizar mantenimiento.

Instrucciones de conexión a tierra

Este electrodoméstico debe estar conectado a tierra. En caso de un cortocircuito eléctrico, la conexión a tierra reduce el riesgo de descarga eléctrica, ya que proporciona un cable de escape para la corriente eléctrica.

Asegúrese de que un técnico calificado instale y conecte correctamente a tierra este electrodoméstico. La instalación, las conexiones eléctricas y la conexión a tierra deben cumplir con todos los códigos pertinentes. Si lo requiere el National Electrical Code (o el Canadian Electrical Code), este electrodoméstico debe estar instalado en un circuito derivado independiente.

Códigos y normas de seguridad

Este electrodoméstico cumple con una o más de las siguientes normas:

- UL 507, Norma para la seguridad de ventiladores eléctricos
- CSA C22.2 N.º 113, Ventiladores

Es responsabilidad del propietario y del instalador determinar si se aplican requisitos o normas adicionales a las instalaciones específicas.

⚠ INSTRUCCIONES IMPORTANTES DE SEGURIDAD

LEA Y GUARDE ESTAS INSTRUCCIONES

Seguridad en incendios

ADVERTENCIA

Use este electrodoméstico solo para su uso previsto como se describe en este manual.

Siempre tenga un detector de humo que funcione cerca de la cocina. En caso de que se prenda fuego en la ropa o el cabello, tírese al suelo y ruede inmediatamente para apagar las llamas.

Tenga un extintor de incendios adecuado disponible, cerca, a la vista y con fácil acceso cerca del electrodoméstico.

Ahogue las llamas de incendios de comida, que no sean incendios de grasa, con bicarbonato de sodio. Nunca use agua en incendios en la cocina.

ADVERTENCIA

PARA REDUCIR EL RIESGO DE LESIONES A LAS PERSONAS EN CASO DE UN INCENDIO DE GRASA EN LA ESTUFA, OBSERVE LO SIGUIENTE:^a

- AHOQUE LAS LLAMAS con una tapa de cierre ajustado, bandeja para galletas o bandeja metálica, luego apague el quemador. TENGA CUIDADO PARA EVITAR QUEMADURAS. Si las llamas no se apagan inmediatamente, EVACUE Y LLAME AL DEPARTAMENTO DE BOMBEROS.
- NUNCA TOME UN SARTÉN EN LLAMAS: Se puede quemar.
- NO USE AGUA, como paños o toallas mojados; se provocará una explosión violenta de vapor.
- SOLO use un extintor si:
 - Sabe que tiene un extintor Clase ABC, y ya sabe cómo usarlo.
 - El incendio es pequeño y está contenido en el área dónde comenzó.
 - Ya llamó a los bomberos.
 - Puede combatir el fuego con su espalda hacia una salida.

^a Según los "Consejos de seguridad en incendios de cocina" publicados por la NFPA.

Cuando sea posible, no opere el sistema de ventilación durante un incendio en la placa de cocción. Sin embargo, no meta las manos a través del fuego para apagarlo.

Selle adecuadamente los puntos de conexión de los conductos.

- El sistema de conductos debe ventilarse hacia el exterior y no, por ejemplo, a espacios de ático.

ADVERTENCIA

RIESGO DE INCENDIO

Cuando los quemadores de gas están en funcionamiento sin utensilios de cocina sobre ellos, pueden acumular mucho calor. Un electrodoméstico de ventilación instalado sobre la cocina se puede dañar o quemar. Solo opere los quemadores de gas con utensilios sobre ellos.

ADVERTENCIA

RIESGO DE INCENDIO

El aceite y la grasa calientes prenden fuego rápido. Nunca deje aceite y grasa calientes sin supervisión. Nunca apague un incendio con agua. Apague la posición de cocción. Ahogue las llamas con cuidado con una tapa, una manta ignífuga o un elemento similar.

ADVERTENCIA

RIESGO DE INCENDIO

Los depósitos de grasa en el filtro de grasa se pueden inflamar. Limpie el filtro de grasa al menos cada dos meses, o con la frecuencia necesaria. Nunca opere el electrodoméstico sin el filtro de grasa.

ADVERTENCIA

RIESGO DE INCENDIO

Solo use sistemas de conductos de metal.

ADVERTENCIA

RIESGO DE QUEMADURAS

Las piezas accesibles se calientan durante el funcionamiento. Nunca toque las piezas calientes.

PRECAUCIÓN

Se recomienda usar guantes y mangas largas para proteger las manos y los antebrazos contra la abrasión y posibles rasguños durante el proceso de instalación y el mantenimiento.

Advertencias de la Propuesta 65 del estado de California

ADVERTENCIA

Este producto puede contener una sustancia química reconocida por el estado de California como causante de cáncer o daño reproductivo. Por lo tanto, el embalaje del producto puede portar la siguiente etiqueta, según lo exija California:

ADVERTENCIA DE LA PROPUESTA 65 DEL ESTADO DE CALIFORNIA:



ADVERTENCIA

Cáncer y daños reproductivos - www.P65Warnings.ca.gov

Protección del medioambiente

Desembale el electrodoméstico y deseche el embalaje conforme a los requisitos medioambientales.

Causas de los daños

Riesgo de daños por reflujo de condensación. Instale el extractor con una pendiente leve hacia abajo alejado del electrodoméstico (pendiente de 1°).

ANTES DE COMENZAR

Herramientas y materiales necesarios (no incluidos)

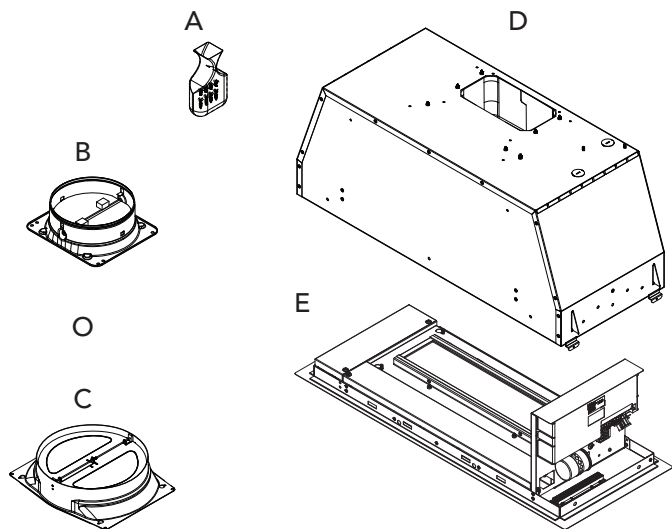
- Alivio de tensión aprobado por UL de 7/8" (22 mm) de diámetro
- 2 bloques de madera de 7/4" (184 mm) de largo máximo x 2" (51 mm) de altura mínima, y con grosor para caber en las dimensiones del gabinete (consulte Preparación del gabinete en la página 43)
- Tornillos de madera n.º 8 de cabeza plana (para fijar los bloques de madera al gabinete)
- Cinta para conductos de aluminio (NO use cinta aisladora)
- Cinta métrica
- Lápiz
- Taladro
- Broca para madera de 1/8"
- Sierra sable o sierra caladora
- Pelacables o cuchilla multiuso
- Destornillador Phillips n.º 2
- Tijeras de hojalatero
- Gafas de seguridad y guantes de trabajo

PRECAUCIÓN

Se recomienda usar guantes y mangas largas para proteger las manos y los antebrazos contra la abrasión y posibles rasguños durante el proceso de instalación y el mantenimiento.

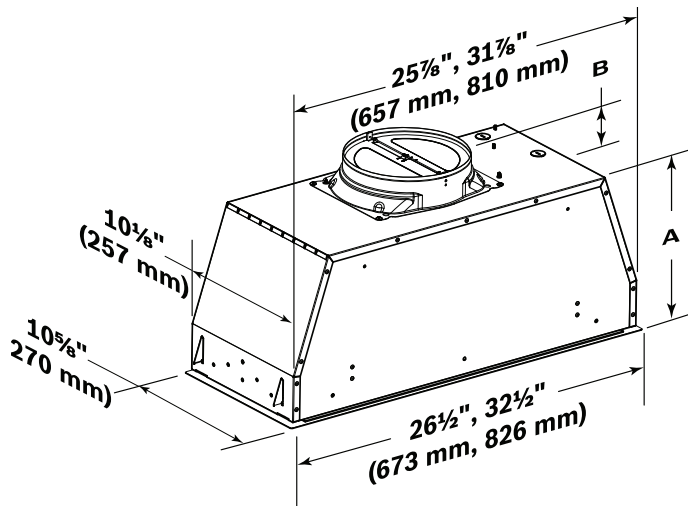
Piezas incluidas

Desembale la unidad y revise el contenido de la caja.



- A: La bolsa de piezas contiene: 8 tornillos Phillips, n.º 8 x 3/8" y 4 tornillos Phillips, n.º 8 x 3/4"
- B: Conector de conducto de 6" Ø para modelo VCI3B30ZS o VCI3B36ZS
- C: Conector de conducto de 8" Ø para modelo VCI6B30ZS o VCI6B36ZS
- D: Carcasa de la unidad
- E: Conjunto de módulo y bastidor de la unidad.

Dimensiones de la unidad



A: Unidad de 10 1/2" (267 mm) con conjunto de módulo y bastidor instalado

A: Unidad de 10 3/8" (260 mm) sin conjunto de módulo y bastidor instalado

B: Conector de conducto de 6" Ø: 2 3/8 (60 mm)

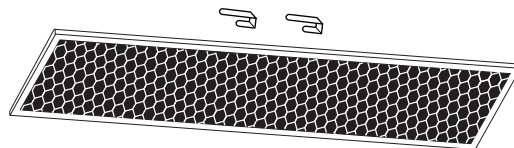
B: Conector de conducto de 8" Ø: 2 1/8 (60 mm)

Accesorios opcionales

Los accesorios opcionales se venden por separado.

Kits de filtro de carbón

Kit de filtro de carbón (obligatorio solo para la instalación de recirculación). Consulte los números de pieza a continuación:



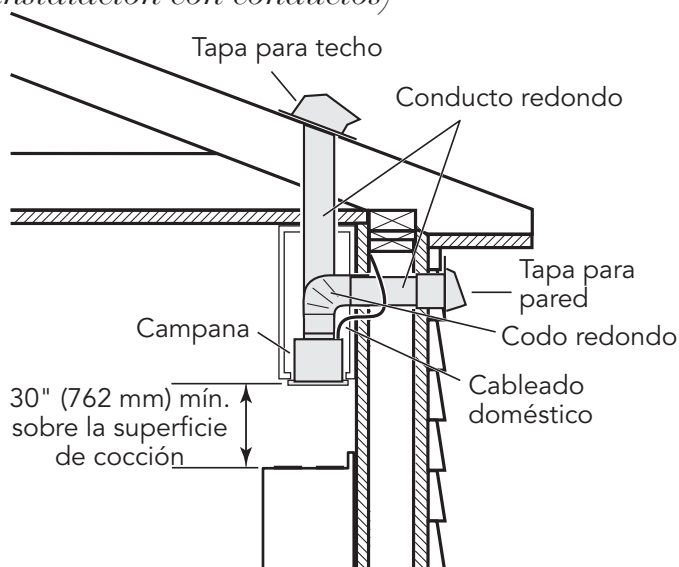
Modelo de la unidad	Kit de filtro de carbón
VCI3B30ZS	CHFVCI30ZS
VCI6B30ZS	
VCI3B36ZS	CHFVCI36ZS
VCI6B36ZS	

Control remoto

- REMCPW: Contro remoto opcional

PLANIFICACIÓN DE LA INSTALACIÓN

Instalación del sistema de conductos (solo instalación con conductos)



La altura de instalación de una campana por encima de una placa de cocción, una superficie de cocción o de una estufa puede variar. Para obtener la altura de instalación necesaria por encima de una placa de cocción, de una superficie de cocción o de una estufa, consultar el manual de instalación del aparato o el guía de combinación.

AVISO: La campana puede ser dañada por un calor excesivo si una placa de cocción, una superficie de cocción o una estufa funciona con varios quemadores ajustados a alto rendimiento debajo de una campana apagada, instalada a las distancias mínimas.

Distancia de la superficie de cocción

Se recomienda una altura de instalación mínima de 30" (762 mm) por encima de una placa de cocción, una superficie de cocción o una estufa. Sin embargo, es necesario seguir las instrucciones de instalación del fabricante del aparato de cocción para obtener la altura de instalación adecuada por la campana.

Consultar los códigos locales de edificación por los últimos requisitos y restricciones a la instalación de productos de ventilación

NOTA: Para reducir el riesgo de incendio, solo use sistemas de conductos de metal.

El tamaño de los conductos varía de acuerdo con el modelo instalado:

Modelo	Conductos
VCI3B30ZS	6" redondo
VCI3B36ZS	6" redondo
VCI6B30ZS	8" redondo
VCI6B36ZS	8" redondo

1. Decida dónde se tenderá el sistema de conductos entre la campana y el exterior.
2. Un tendido corto y recto del conducto permitirá que la campana funcione más eficazmente.
3. Los tendidos largos de conducto y las transiciones reducirán el rendimiento de la campana. Use la menor cantidad posible. Es posible que se requieran conductos más grandes para un mejor rendimiento con tendidos de conductos más largos.
4. Instale la tapa de pared o la tapa de techo (se venden por separado). Conecte el sistema de conductos de metal a la tapa y de regreso hacia la ubicación de la campana. Use cinta para conductos de aluminio de 2" para sellar las juntas entre las secciones del sistema de conductos.

NOTA: El fabricante no es responsable de quejas de rendimiento debido a la sección del conducto.

Preparación del sistema de conductos

RECOMENDACIONES PARA LOS CONDUCTOS

El rendimiento adecuado depende de los conductos adecuados.

AIRE DE REPOSICIÓN: Los códigos de construcción locales pueden exigir el uso de sistemas de aire de reposición cuando se usen sistemas de ventilación con conducto mayores que los CFM especificados de movimiento de aire. Los CFM especificados varían de un lugar a otro. Es responsabilidad del propietario y del instalador determinar si se aplican requisitos o normas adicionales a las instalaciones específicas.

NO USE CONDUCTOS FLEXIBLES; crean contrapresión o turbulencia de aire y reducen el rendimiento.

Siempre instale una cubierta de ventilación de metal donde el sistema de conductos salga de la casa.







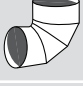

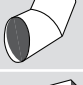

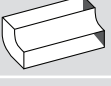




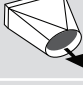
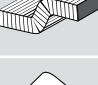
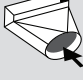

Las instalaciones en **CLIMAS FRÍOS** deben tener, como parte del sistema de conductos, un regulador de tiro de contratiro adicional instalado para minimizar el flujo de aire frío hacia atrás y una barrera térmica no metálica para minimizar la conducción de las temperaturas exteriores.

El regulador de tiro debería estar en el lado de aire frío de la barrera térmica. La barrera debería estar lo más cerca posible al ingreso de los conductos a la parte calefaccionada de la casa.

Por motivos de seguridad, los conductos deberían ventilarse directamente hacia el exterior (no en un ático, bajo la casa, en el garaje o en cualquier otro espacio cerrado). En aplicaciones de cocción de gas, la unidad no se puede usar en conjunto con una unidad de recirculación.

THERMADOR® recomienda no superar los 50 pies (15 m) de conducto equivalente. Consulte la siguiente página para ver la Tabla de conductos equivalentes.

TABLA DE CONDUCTOS EQUIVALENTES

Pieza de conducto	Tamaño (pulg./mm)	Longitud equivalente (pies/m)	Pieza de conducto	Tamaño (pulg./mm)	Longitud equivalente (pies/m)
 Liso, recto	6 (152)	1.2 (0.37)	 3/4 pulg. x 10 pulg. (83 mm x 254 mm) a codo redondo de 90°	6 (152)	10 (3)
	8 (203)	0.7 (0.21)			
	10 (254)	0.6 (0.18)			
 Recto de 3/4 pulg. x 10 pulg. (83 mm x 254 mm)	N/A	1 (0.3)	 Codo inverso central de 3/4 pulg. x 10 pulg. (83 mm x 254 mm), izquierdo	N/A	15 (4.6)
 Recto de 3/4 pulg. x 14 pulg. (83 mm x 356 mm)	N/A	0.7 (0.21)	 Codo inverso central de 3/4 pulg. x 10 pulg. (83 mm x 254 mm), derecho	N/A	25 (7.6)
 Codo de 90°, redondo	6 (152)	12 (3.7)	 Codo inverso izquierdo de 3/4 pulg. x 10 pulg. (83 mm x 254 mm)	N/A	15 (4.6)
	8 (203)	6 (1.8)			
	10 (254)	5 (1.5)			
 Codo de 45°, redondo	6 (152)	5 (1.5)	 Codo inverso derecho de 3/4 pulg. x 10 pulg. (83 mm x 254 mm)	N/A	25 (7.6)
	8 (203)	3 (0.9)			
	10 (254)	2 (0.6)			
 Codo de 90° de 3/4 pulg. x 10 pulg. (83 mm x 254 mm), redondo	N/A	5 (1.5)	 Tapa redonda de pared	6 (152)	2 (0.6)
 Codo de 45° de 3/4 pulg. x 10 pulg. (83 mm x 254 mm), redondo	N/A	15 (4.6)		8 (203)	2 (0.6)
				10 (254)	2 (0.6)
 Codo plano de 3/4 pulg. x 10 pulg. (83 mm x 254 mm)	N/A	20 (6.1)	 Tapa redonda de techo	6 (152)	2 (0.6)
				8 (203)	2 (0.6)
				10 (254)	2 (0.6)
 3/4 pulg. x 10 pulg. (83 mm x 254 mm) a redondo	6 (152)	5 (1.5)	 Flexible de 2 pulg. (51 mm) de largo, 3/4 pulg. x 10 pulg. (83 mm x 254 mm)	N/A	20 (6.1)
	8 (203)	2 (0.6)			
 Redondo a codo de 90° de 3/4 pulg. x 10 pulg. (83 mm x 254 mm)	6 (152)	10 (3)	 Tapa de techo y apagador 3/4 pulg. x 10 pulg. (83 mm x 254 mm)	N/A	2 (0.6)

NOTA: Estas piezas de instalación utilizadas usualmente se pueden comprar en una ferretería local. THERMADOR® no fabrica estas piezas.

Mediciones en pulgadas (milímetros).

INSTALACIÓN

ADVERTENCIA

Retire todas las cintas y el embalaje antes de usar el electrodoméstico. Deseche el embalaje después de sacar el electrodoméstico. Nunca permita que los niños jueguen con el material de embalaje.

Preparación del gabinete

NOTAS: A. La altura interna del gabinete debe ser un mínimo de 15" (381 mm), a menos que el sistema de conductos de escape esté configurado horizontalmente; en este caso la altura interna mínima del gabinete debería ser de 23" (584 mm) para que quede suficiente espacio para el codo en 90°.

B. La campana debería estar montada centrada sobre los quemadores de la placa de cocción.

El gabinete debe ser resistente al calor hasta 194 °F (90 °C).

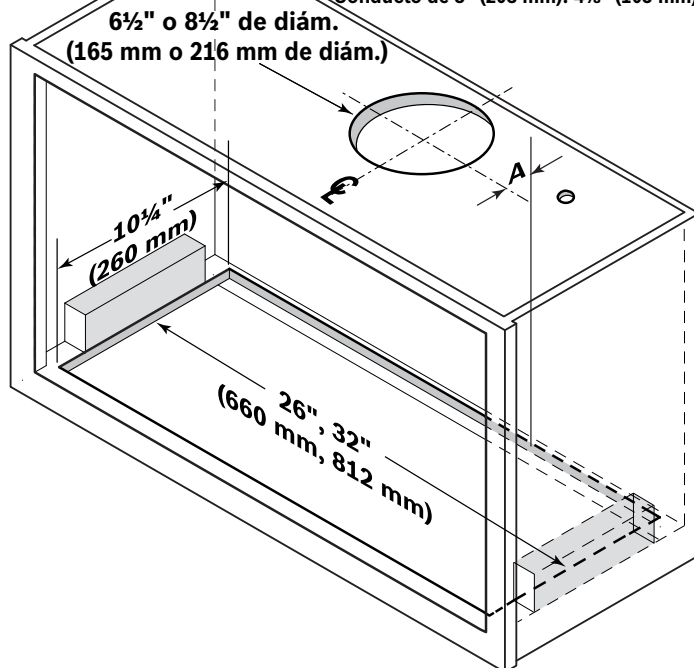
También se debe garantizar la estabilidad del gabinete después del trabajo de corte.

1. Corte un orificio en la parte inferior del gabinete, con las dimensiones que se muestran.
2. Haga el corte para el conducto de aire de escape y para el cable de la conexión doméstica en la parte superior del gabinete.

NOTA: Si la campana se instalará sin conducto, también se debe hacer un corte en el gabinete para permitir que el aire salga a través de una rejilla.

Después de realizar el trabajo de corte, retire las virutas.

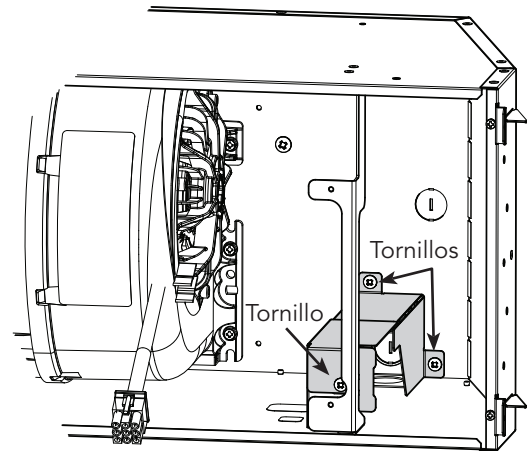
Dimensión A
(distancia desde el centro del orificio del conducto de aire y el borde del orificio en la parte inferior del gabinete)
Conducto de 6" (152 mm): 3¼" (83 mm)
Conducto de 8" (203 mm): 4½" (105 mm)



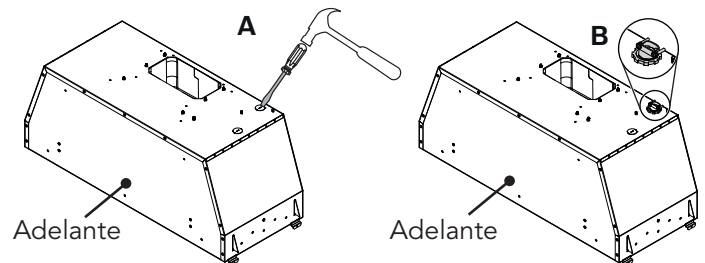
3. Centre y fije 2 bloques de madera (no incluidos) que tengan una altura mínima de 2" x 7¼" (51 mm x 184 mm) de largo máximo (con el grosor para llenar pero no superar el espacio al interior del gabinete), en los lados derecho e izquierdo de los orificios, a ras con los bordes (los tornillos para sujetar los bloques de madera no están incluidos).

Preparación de la campana

1. Desensamblar las dos secciones de la cubierta del compartimento eléctrico (piezas en color gris en la ilustración de abajo) desde el interior de la campana quitando los 3 tornillos de retención. Deje a un lado las secciones de la cubierta con los tornillos.

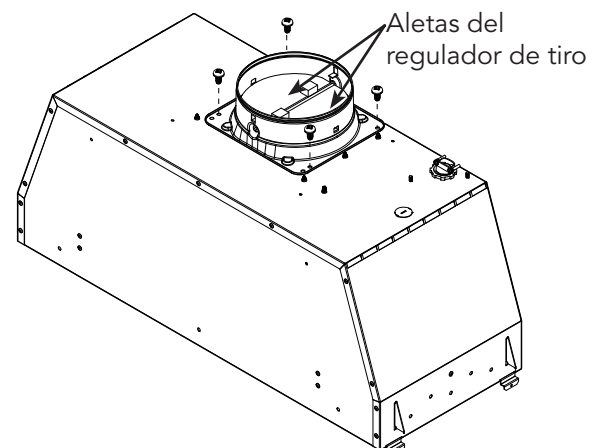


2. Perfore el orificio ciego en la parte superior de la unidad (A), luego instale un alivio de tensión aprobado por UL de 7/8" (22 mm) de diámetro (B) (no se incluye).



3. Fije el conector de conducto de 6" incluido (para modelo VCI3B30ZS o VCI3B36ZS) o el conector de conducto redondo de 8" incluido (para modelo VCI6B30ZS o VCI6B36ZS) a la parte superior de la campana con 4 tornillos n.º 8 x 3/8" (incluidos en la bolsa de piezas). Selle la junta con cinta para conductos de aluminio.

NOTA: Si la campana se instalará sin conducto, retire ambas aletas del regulador de tiro desde el conector del conducto.

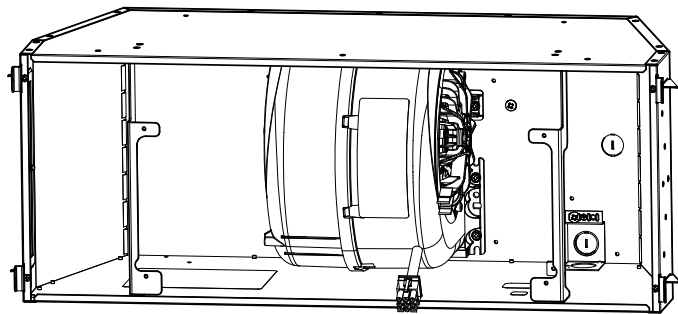


INSTALACIÓN

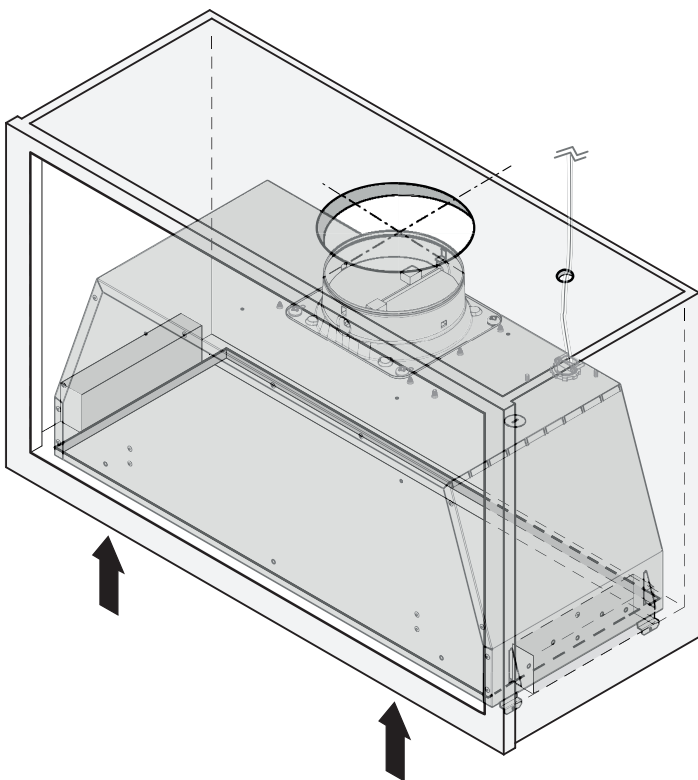
Instalación de la campana

1. Tienda el cable de alimentación doméstico entre el panel de servicio y la ubicación de la campana. Deje un cable de alimentación de 3 pies (914 mm) de largo al interior del gabinete. Conecte el cable de alimentación a la campana con el alivio de tensión instalado anteriormente.

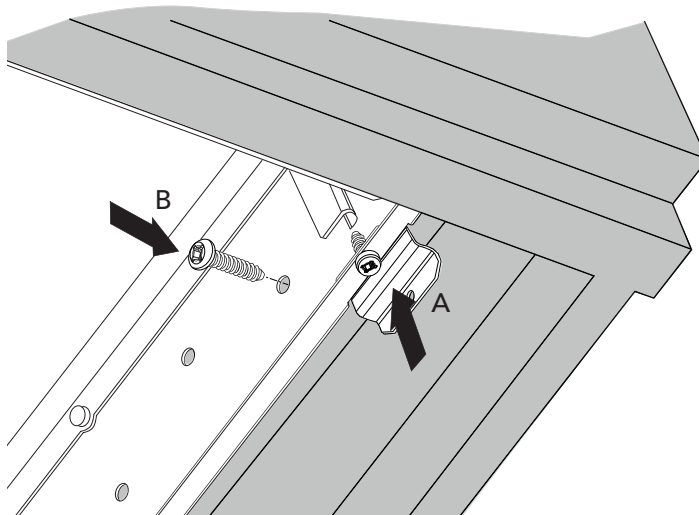
NOTA: La salida del ventilador debe orientarse hacia la parte posterior del gabinete y la caja de conexiones debe colocarse en el lado derecho.



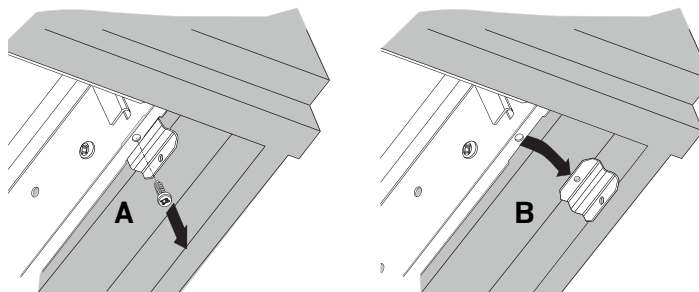
2. Inserte la campana en el gabinete; ambos resortes en cada lado encajarán con un clic. Asegúrese de que todos los resortes se hayan enganchado antes de soltar la unidad.



3. Levante la campana hasta que haya contacto entre los soportes de instalación y el gabinete (A). Fije la campana a los bloques de madera previamente instalados con los (4) tornillos de madera incluidos en la bolsa de piezas (2 tornillos por lado) (B). Consulte la ilustración a continuación.



4. Retire los 4 soportes de instalación (1 por esquina de la unidad). Para cada soporte, retire el tornillo (A), luego gire el soporte para desengancharlo (B) del gabinete. Deseche los soportes junto con los tornillos, de acuerdo con las leyes y reglamentos locales.



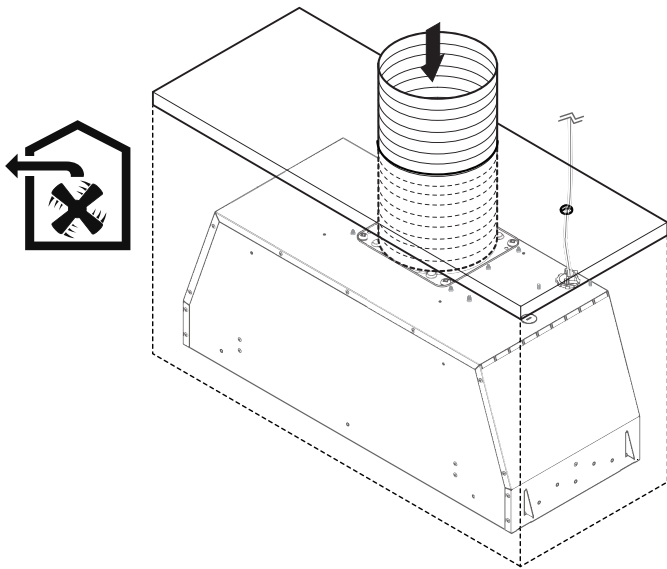
INSTALACIÓN

Conexión de los conductos

NOTAS:

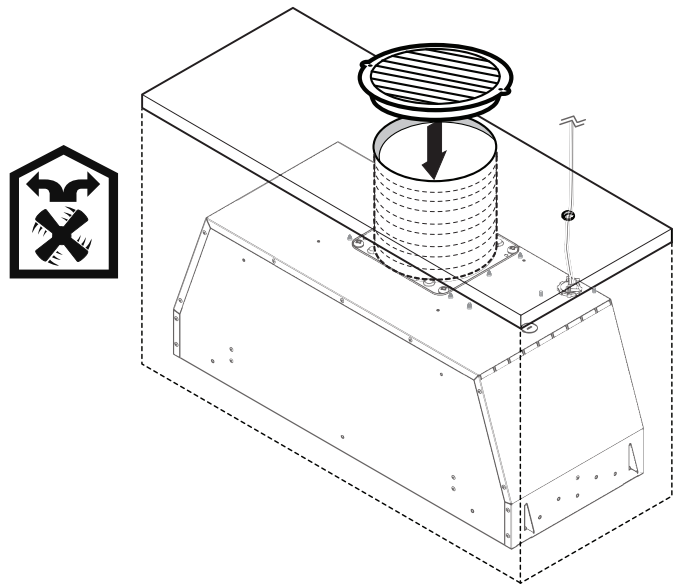
- Si se usa un conducto de aluminio, pula el área de conexión de antemano.
- Modelos VCI3B30ZS o VCI3B360ZS: Conducto de aire de escape de 6" (150 mm) de diám.
- Modelos VCI6B30ZS o VCI6B360ZS: Conducto de aire de escape de 8" (205 mm) de diámetro.

Establecimiento de la conexión para el aire de escape



1. Conecte el conducto de aire de escape directamente en el conector del conducto de aire. Conecte el otro extremo del conducto en el sistema de conductos anterior.
2. Selle las juntas con cinta para conductos de aluminio.

Establecimiento de la conexión para el aire recirculado



1. Conecte el conducto de aire de escape directamente en el conector del conducto de aire.
2. Establezca una conexión en la apertura de la unidad de gabinete.
3. Atornille la rejilla de guía de aire (no incluida) en el gabinete. Encaje la rejilla de guía de aire de manera que el aire pueda fluir libremente.
4. Selle las juntas con cinta para conductos de aluminio.
5. Instale el filtro de carbón.

ADVERTENCIA

La instalación incorrecta de los aparatos de gas y de las campanas de ventilación puede crear un riesgo de monóxido de carbono que puede ser perjudicial. Para reducir el riesgo de intoxicación con monóxido de carbono, asegúrese de que los aparatos de gas estén bien instalados, conforme a las instrucciones del fabricante, y que los gases o humos de la campana se expulsen, de manera adecuada, hacia el exterior.

Consultar los códigos locales de edificación por los últimos requisitos y restricciones a la instalación de productos de ventilación en modo recirculación.

INSTALACIÓN

Instalación eléctrica

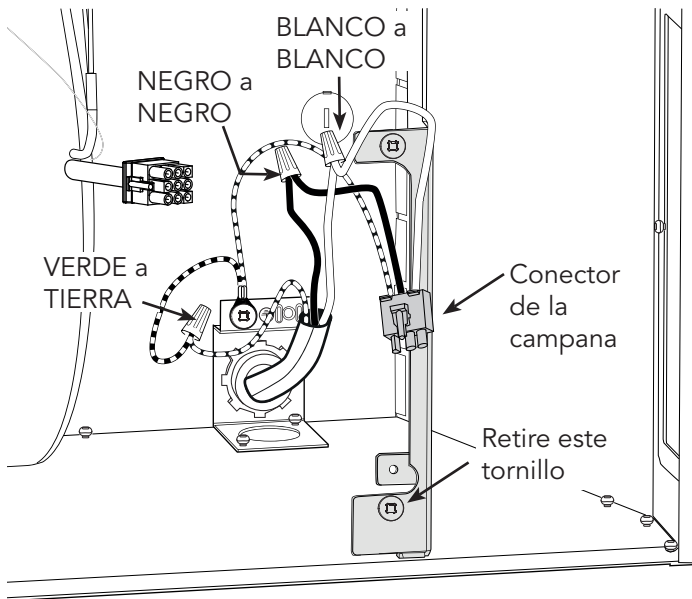
⚠ PRECAUCIÓN

El trabajo de instalación y el cableado eléctrico lo deben realizar personas calificadas, de acuerdo con todos los códigos y normas, incluso la construcción resistente al fuego.

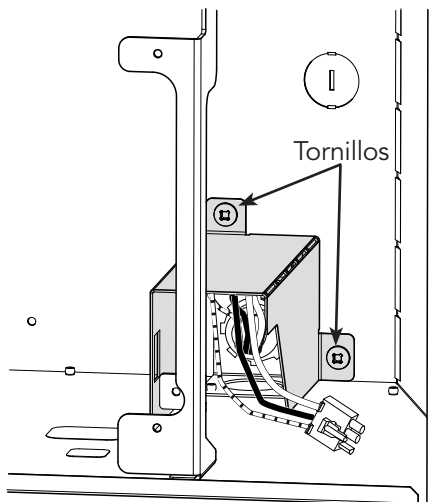
⚠ PRECAUCIÓN

Antes de instalar, corte el suministro de energía en el panel de servicio. Bloquee el panel de servicio para evitar que se encienda la energía accidentalmente.

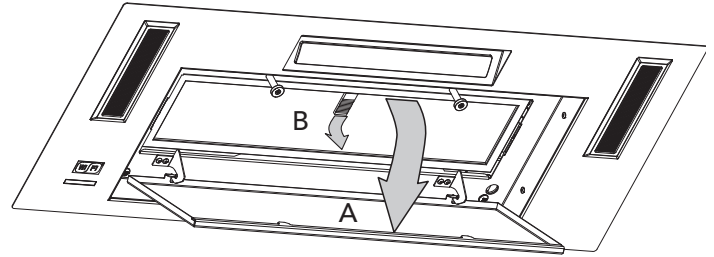
1. Realice la conexión eléctrica de la siguiente manera: Con tuercas metálicas aprobadas por UL, conecte el hilo NEGRO desde el cableado doméstico hasta el hilo NEGRO del conector de la campana, el hilo BLANCO desde el cableado doméstico hasta el hilo BLANCO del conector de la campana y el hilo de conexión a tierra VERDE o hilo descubierto desde el cableado doméstico hasta el hilo VERDE del conector de la campana. Luego, retire y deje a un lado el tornillo que se muestra en la siguiente ilustración para usarlo después.



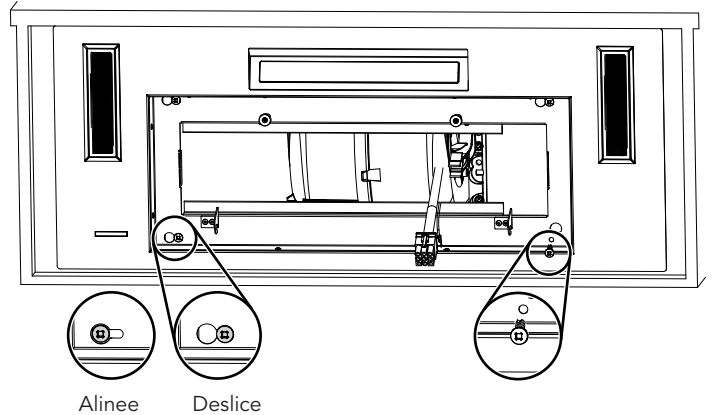
2. Vuelva a colocar la sección superior del compartimiento eléctrico con sus dos tornillos de retención.



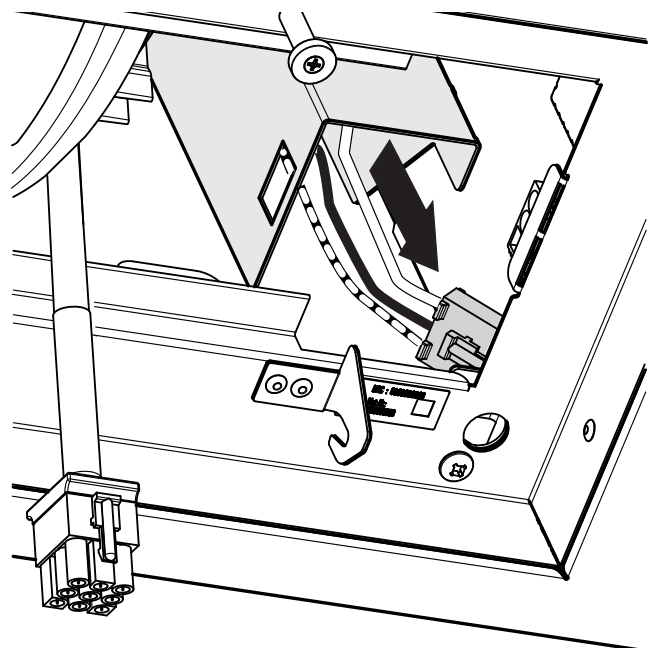
3. Abra y retire el panel inferior (A) en el conjunto de módulo y bastidor, luego empuje la lengüeta (B) hacia abajo para retirar el filtro del conjunto de módulo y bastidor, y déjelo a un lado.



4. Monte el conjunto de módulo y bastidor en la carcasa de la campana; alinee las ranuras de bocallave con los 3 tornillos restantes ubicados en el soporte del módulo y el bastidor. Deslice hasta que los tornillos estén enganchados en la parte pequeña de las bocallaves (consulte los recuadros a la izquierda). Vuelva a colocar el tornillo que se retiró en el paso 1, luego apriete los 3 tornillos restantes para fijar el conjunto de módulo y bastidor a la campana.

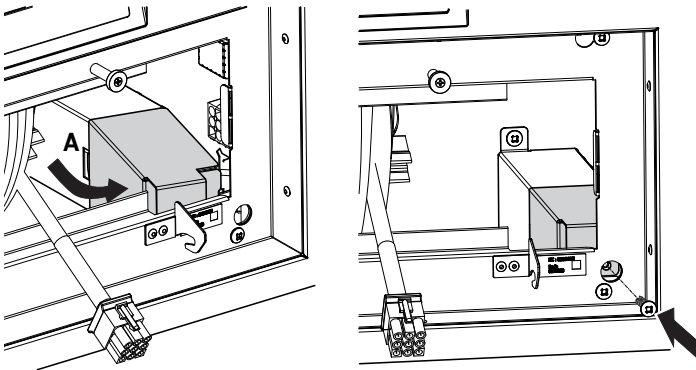


5. Conecte el conector de la campana a su conector (pieza en color gris oscuro en la ilustración de abajo)



INSTALACIÓN

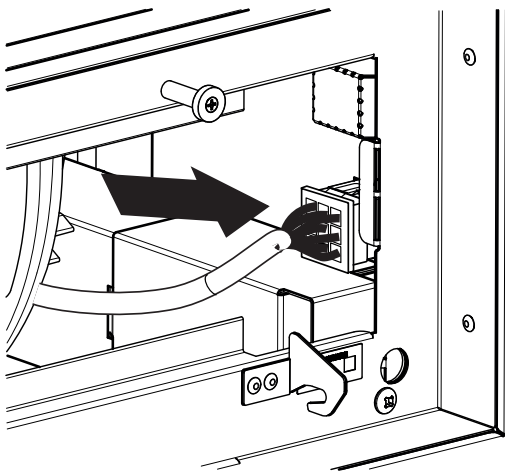
6. Ensamblar la sección restante de la cubierta del compartimiento eléctrico a la primera sección insertando la lengüeta en la ranura lateral (A), como se muestra a continuación. Sujetar esta sección en el interior de la campana con el tornillo que se ha retirado anteriormente.



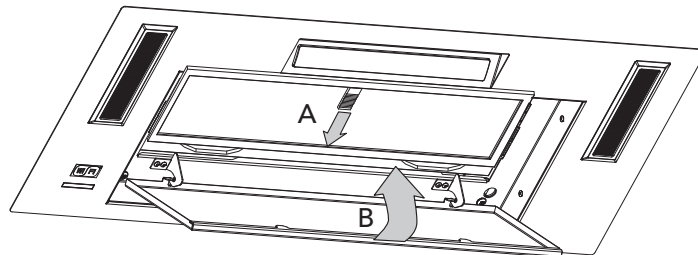
⚠ PRECAUCIÓN

Asegúrese de no aplastar los hilos cuando vuelva a instalar la cubierta del compartimiento.

7. Conecte el soplador a su conector al interior de la campana.



8. Vuelva a instalar el filtro (A) y el panel inferior, luego cierre el panel inferior (B).



9. Encienda el suministro de energía en el panel de servicio, y luego compruebe el funcionamiento de la campana (consulte el manual del usuario).

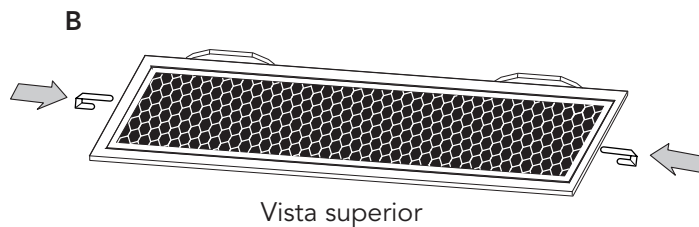
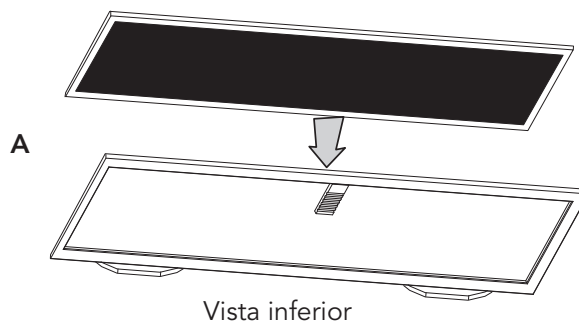
Filtros del modo de aire de recirculación

Para contener los olores en modo de aire de recirculación, se deben instalar filtros de carbón. Los kits de filtros de carbón requeridos están disponibles para comprarlos en tiendas minoristas especializadas, en Servicio al Cliente o en la tienda en línea. Consulte la siguiente tabla para conocer el número de pieza del kit de filtro que corresponde al modelo de la unidad.

Modelo de la unidad	Kit de filtro de carbón
VCI3B30ZS	CHFVCI30ZS
VCI6B30ZS	
VCI3B36ZS	CHFVCI36ZS
VCI6B36ZS	

Instalación de los filtros del modo de aire de recirculación

1. Retire el filtro de grasa de la campana. Instale un filtro de carbón (incluido en el kit de filtro de carbón) en la parte posterior de metal del filtro de grasa (A). Afirme el filtro de carbón en posición con ambos sujetadores de metal (incluidos en el kit de filtro de carbón) (B).



2. Vuelva a instalar el filtro de grasa.

SOLUCIÓN DE PROBLEMAS

Con frecuencia, podrá fácilmente eliminar usted mismo los problemas que puedan ocurrir. Antes de llamar a Servicio al Cliente, tenga en cuenta la siguiente información.

ADVERTENCIA

RIESGO DE DESCARGA ELÉCTRICA

Las reparaciones incorrectas son peligrosas. Solo un proveedor de servicio autorizado puede realizar reparaciones y puede reemplazar los conductores de conexión dañados. Retire el fusible o desactive el disyuntor en la caja de fusibles o disyuntores si el electrodoméstico está dañado. Llame a Servicio al Cliente.

Interrupción	Posible causa y solución
Ruido durante el funcionamiento	<p>Algo de ruido es normal debido a la vibración y al movimiento del aire.</p> <ul style="list-style-type: none">• El ruido excesivo podría indicar una de las siguientes situaciones:<ul style="list-style-type: none">-- el sistema de conductos es demasiado pequeño-- el sistema de conductos es demasiado grande-- el sistema de conductos está suelto-- la transición es demasiado pequeña o está suelta-- los tornillos de madera no están apretados completamente-- tornillos sueltos en piezas decorativas, etc. <p>Revise el manual de instalación para verificar que el sistema de conductos sea del tamaño adecuado. Apriete los tornillos.</p>
Ruido cuando la unidad está apagada.	<ul style="list-style-type: none">• La aleta de reflujo en la parte exterior de la tapa de pared del conducto se mueve con el viento. Esto es normal.
Las luces y el soplador de ventilación no funcionan	<ul style="list-style-type: none">• Es posible que el disyuntor de la campana se haya disparado. Restablezca el disyuntor.
El soplador de ventilación no funciona.	<ul style="list-style-type: none">• El suministro de energía es insuficiente.• El cableado eléctrico está conectado de manera incorrecta. <p>Consulte el manual de instalación para obtener más información.</p>
La campana dispara el disyuntor.	<ul style="list-style-type: none">• El cableado eléctrico está conectado de manera incorrecta.• El circuito no es suficiente.

Interrupción	Posible causa y solución
La campana no ventila adecuadamente	<ul style="list-style-type: none">• Es posible que la campana esté demasiado alta con respecto a la placa de cocción.• Es posible que la campana no esté centrada sobre la placa de cocción.• El aire de reposición no es suficiente.• El viento que viene desde ventanas abiertas en los alrededores afecta la ventilación de la campana. Cierre todas las ventanas para eliminar el flujo de aire exterior.• Bloqueo en la abertura del conducto o sistema de conductos. Retire todos los bloqueos del sistema de conductos o de la abertura del conducto.• El conducto es demasiado largo, tiene demasiados codos, tiene codos seguidos, o la tapa de pared o techo es demasiado pequeña; todo esto causará problemas con el ingreso de aire.
Tono de falla	<ul style="list-style-type: none">• Se escucharán dos pitidos cortos cuando el usuario presione un botón y esto genere una posible función que no puede realizar el sistema. <p>Para desactivar el tono del pitido, presione los botones FILTER y LIGHTS simultáneamente durante al menos 3 segundos. Si presiona simultáneamente los botones FILTER y LIGHTS cuando se apaga el pitido, lo encenderá.</p>
Las luces no funcionan.	<ul style="list-style-type: none">• Hay fallas en los módulos de iluminación LED. <p>Solo un proveedor de mantenimiento puede reemplazar los módulos LED. Consulte la información de contacto en la sección Servicio al Cliente.</p>

SERVICIO TÉCNICO DE THERMADOR®

Antes de llamar a Servicio al Cliente

Primero, consulte la sección Solución de problemas. Consulte la "Declaración de garantía limitada del producto" en el Manual de uso y cuidado.

Para comunicarse con un representante de servicio, consulte la información de contacto en la columna de la derecha. Tenga preparada la información impresa en la placa de identificación del producto cuando llame.

Placa de identificación

La etiqueta de datos muestra el número de modelo y de serie. Consulte la placa de identificación del electrodoméstico cuando solicite mantenimiento.

La placa de identificación se puede encontrar al interior de la carcasa de la campana.

Para evitar tener que buscar cada parte de la información cuando llame, puede ingresar los cuatro puntos necesarios en los siguientes espacios.

N.º de modelo	/																	
Fecha FD <i>4 dígitos</i>																		
N.º de serie <i>18 dígitos</i>																		
Fecha de compra	/		/															

Conserve la factura o papeles de garantía para la validación de la garantía si se necesita mantenimiento.

Mantenimiento

Nos damos cuenta que ha hecho una inversión considerable en su cocina. Nos dedicamos a respaldarlo a usted y a su electrodoméstico, de modo que tenga muchos años de cocción creativa.

No dude en comunicarse con el Departamento de Servicio al Cliente STAR® si tiene preguntas o en el caso poco común de que su electrodoméstico THERMADOR® necesite mantenimiento. Nuestro equipo de mantenimiento está listo para ayudarlo.

EE. UU.

800-735-4328
www.thermador.com/support

Canadá

800-735-4328
www.thermador.ca

Piezas y accesorios

Las piezas, filtros, productos para quitar el sarro, limpiadores de acero inoxidable y más se pueden comprar en la tienda virtual de THERMADOR® o por teléfono.

EE. UU.

<http://store.thermador.com/us>

Canadá

- Si vive en alguna de las provincias del Atlántico, Ontario o Quebec, comuníquese con:
Marcone 1.800.287.1627
- Si vive en alguno de los Territorios, Manitoba, Saskatchewan, Alberta, o Columbia Británica, comuníquese con:
Reliable Parts 1.800.663.6060