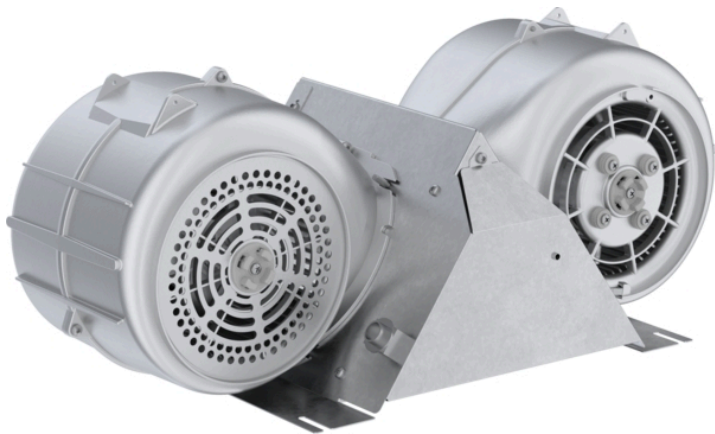


1000 CFM Internal Blower
VTN2FZ



Product Features

Internal blower mounted within hood



Notes: Please refer to installation instructions. Installation instructions are available at www.thermador.com. Specifications are correct at the time of printing. Thermador reserves the right to change product specifications and design at any time, without notice.

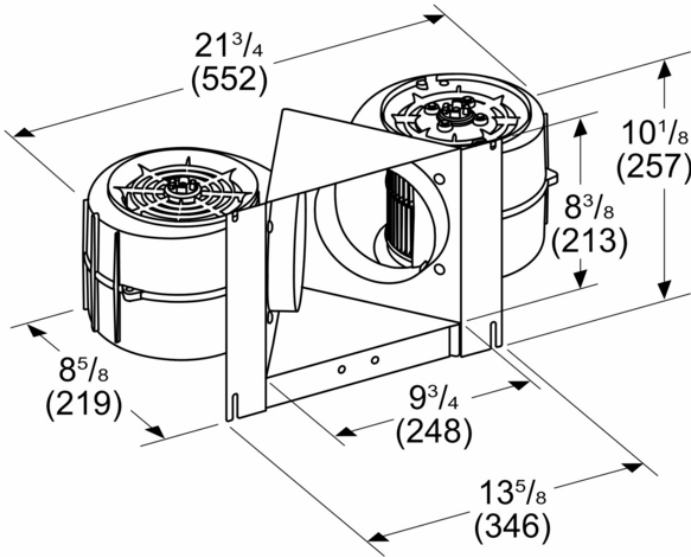
1 800 735 4328 | WWW.THERMADOR.COM | 1901 Main Street, Suite 600 Irvine, CA 92614

©2023 BSH HOME APPLIANCES CORPORATION, ALL RIGHTS RESERVED LITHO DATE: 06/2023

1000 CFM Internal Blower
VTN2FZ



Measurements in inches (mm)



Product Features

Product group	Accessory
Brand	Thermador
SKU	VTN2FZ
Internal article number	VTN2FZ
EAN code	825225964889
Product packaging dimensions (HxWxD)	10.75" x 12.7" x 24.1"
Net weight	19.000
Gross weight	21.000
UPC code	825225964889
Product image	19805780_VTN2FZ_Front_Facing_def.jpg

Technical Specification

Notes: Please refer to installation instructions. Installation instructions are available at www.thermador.com. Specifications are correct at the time of printing. Thermador reserves the right to change product specifications and design at any time, without notice.

1 800 735 4328 | WWW.THERMADOR.COM | 1901 Main Street, Suite 600 Irvine, CA 92614

©2023 BSH HOME APPLIANCES CORPORATION, ALL RIGHTS RESERVED LITHO DATE: 06/2023