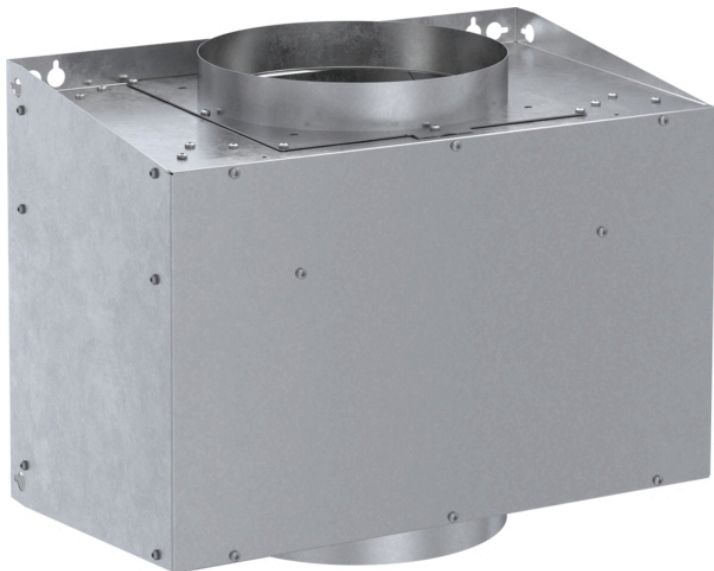


**1000 CFM Inline Blower**  
VTI2FZ



**Product Features**

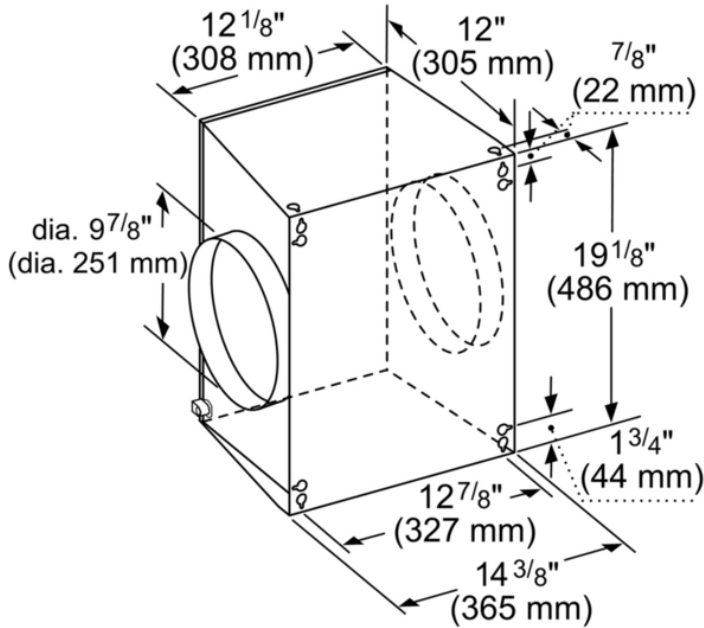


Notes: Please refer to installation instructions. Installation instructions are available at [www.thermador.com](http://www.thermador.com). Specifications are correct at the time of printing. Thermador reserves the right to change product specifications and design at any time, without notice.

1 800 735 4328 | [WWW.THERMADOR.COM](http://WWW.THERMADOR.COM) | 1901 Main Street, Suite 600 Irvine, CA 92614

©2023 BSH HOME APPLIANCES CORPORATION, ALL RIGHTS RESERVED LITHO DATE: 06/2023

**1000 CFM Inline Blower**  
VTI2FZ



measurements in inches (mm)

**Product Features**

Product group	Accessory
Brand	Thermador
SKU	VTI2FZ
Internal article number	VTI2FZ
EAN code	825225964865
Product packaging dimensions (HxWxD)	18" x 24" x 27"
Net weight	30.000
Gross weight	34.000
UPC code	825225964865
Product image	19805469_VTI2FZ_Front_Facing_3000_x_3000_c

**Technical Specification**

Notes: Please refer to installation instructions. Installation instructions are available at [www.thermador.com](http://www.thermador.com). Specifications are correct at the time of printing. Thermador reserves the right to change product specifications and design at any time, without notice.

1 800 735 4328 | [WWW.THERMADOR.COM](http://WWW.THERMADOR.COM) | 1901 Main Street, Suite 600 Irvine, CA 92614

©2023 BSH HOME APPLIANCES CORPORATION, ALL RIGHTS RESERVED LITHO DATE: 06/2023