

# MU30WSU

## BUILT-UNDER MICROWAVE HOOD

PROFESSIONAL SERIES HANDLE



### FEATURES & BENEFITS

- 2.1 cu. ft. oven capacity, 14 <sup>3</sup>/<sub>16</sub>" turntable and two level cooking rack accommodates large, oblong dishes
- 1,100-Watts of Power offers exceptional cooking speed and heating performance
- Sensor Cooking allows you to cook foods without selecting cooking times and power levels. The microwave oven automatically determines the required cooking time for each food item.
- Four-speed, 385 CFM ventilation system efficiently captures smoke, steam, grease and odors from the range or cooktop below
- Our innovated Triple Distribution Turntable Disk provides improved distribution of microwave energy for more even cooking

**IMPORTANT:** Thermador microwave model MU30WSU is approved for installation above Pro Harmony® 5-burner range models PRD305WHU and PRG305WH only.

### GENERAL PROPERTIES

Cavity Color	Grey
Max. Microwave Power (W)	1,100 W
Max. extraction rate (CFM)	385 CFM
Ducted	Yes
Ductless	Yes
Duct size	3 <sup>1</sup> / <sub>4</sub> " x 10"

### CAPACITY

Cavity Capacity (cu. ft.)	2.1 cu. ft.
Turntable Diameter (In.)	14 <sup>3</sup> / <sub>16</sub> "

### TECHNICAL DETAILS

Watts (W)	1,550 W
Circuit Breaker (A)	15 A
Volts (V)	120 V
Frequency (Hz)	60 Hz
Plug Type	120V-3 prong
Power Cord Length (In)	40"

### DIMENSIONS & WEIGHT

Overall Appliance Dimensions (HxWxD) (In)	16 <sup>1</sup> / <sub>2</sub> " x 29 <sup>7</sup> / <sub>8</sub> " x 15 <sup>7</sup> / <sub>8</sub> "
Required Cutout Size (HxWxD) (in.)	17 <sup>1</sup> / <sub>8</sub> " Min x 30" x 12" Min - 13" Max
Net Weight (Lbs)	63 lbs

### ACCESSORIES (INCLUDED)

Two level cooking rack

### WARRANTY

Limited Warranty, Entire Appliance, Parts and Labor	2 Year
---	--------

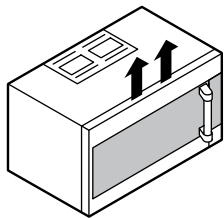
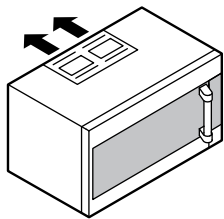
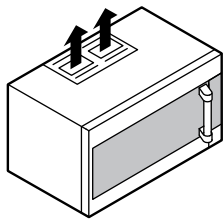
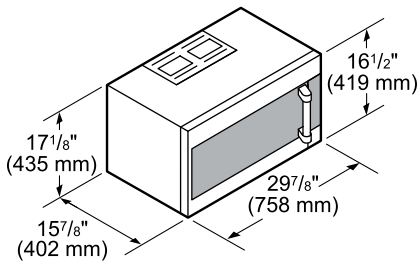
# MU30WSU

## BUILT-UNDER MICROWAVE HOOD

### PROFESSIONAL SERIES HANDLE

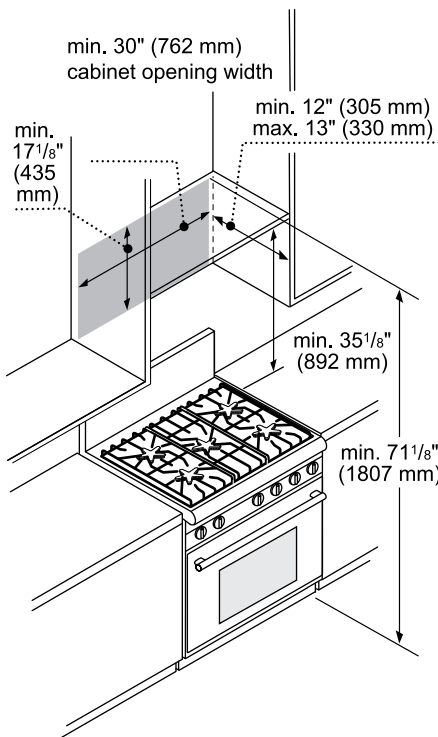
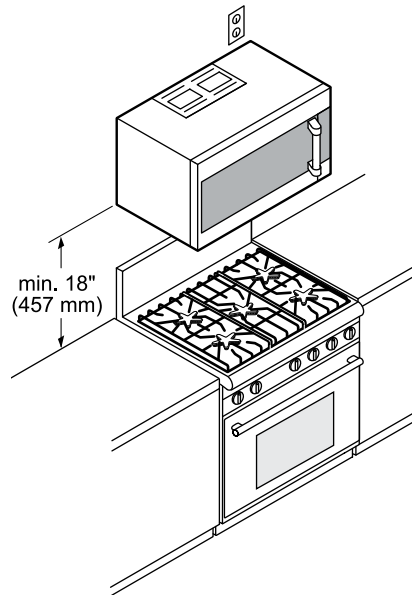


#### PRODUCT DIMENSIONS



#### STANDARD INSTALLATION

Grounded 120V outlet located inside the cabinet above the oven, right side shown as example.



These warranties give you specific legal rights and you may have other rights that vary from state to state. Limited warranty from date of delivery. For complete warranty details, refer to your Use & Care manual, or ask your dealer.

Specifications are for planning purposes only. Refer to installation instructions and consult your countertop supplier prior to making counter opening. Consult with a heating and ventilation engineer for your specific ventilation requirements. For the most detailed information, refer to installation instructions accompanying product or write to Thermador indicating the model number. Specifications are correct at time of printing. Thermador reserves the right to change product specifications or design without notice. Some models are certified for use in Canada. Thermador is not responsible for products that are transported from the U.S. for use in Canada.