

Use and care

GUIDE

Induction module

PRD364WIGU PRD486WIGU
PRD48WISGU PRD364WIGC
PRD486WIGC



Table of contents

1 IMPORTANT SAFETY INSTRUCTIONS.....	3
1.1 Safety definitions.....	3
1.2 Safe use.....	3
1.3 Electromagnetic interference.....	4
1.4 State of California Proposition 65 Warnings	4
2 Preventing material damage	5
2.1 Overview of the most common types of damage	5
3 Environmental protection and energy-saving	5
3.1 Disposal of packaging	5
3.2 Saving energy	5
4 Suitable cookware	6
4.1 Size and characteristics of the cookware	6
5 Familiarizing yourself with your appliance	6
5.1 Induction zone.....	6
5.2 Control knobs.....	6
5.3 Touch keys and displays	6
6 Operation.....	7
6.1 Setting the power level	7
6.2 Turning off the induction module	7
6.3 Recommended cooking settings	7
6.4 Liberty® cooking zone.....	8
6.5 PowerBoost®	8
6.6 HeatShift® function	8
6.7 Kitchen timer	9
7 Cleaning and maintenance.....	9
7.1 Cleaning agents	9
7.2 Cleaning the glass ceramic cooktop	9
7.3 Cleaning recommendations.....	10
7.4 Maintenance	11
8 Troubleshooting.....	12
9 Disposal.....	13
9.1 Disposal of your old appliance	13
10 Customer Service	13



IMPORTANT SAFETY INSTRUCTIONS

READ AND SAVE THESE INSTRUCTIONS

Read all instructions carefully before use. These precautions will reduce the risk of electrical shock, fire and injury to persons. When using kitchen appliances, basic safety precautions must be followed including those in the following pages.

⚠ WARNING:

Never Operate the Top Surface Cooking Section of this Appliance Unattended.

- **Failure to follow this warning statement could result in fire, explosion, or burn hazard that could cause property damage, personal injury, or death.**
- **If a fire should occur, keep away from the appliance and immediately call your fire department.**

DO NOT ATTEMPT TO EXTINGUISH AN OIL/GREASE FIRE WITH WATER.

1.1 Safety definitions

Here you can find explanations of the safety signal words used in this manual.

⚠ WARNING

This indicates that death or serious injuries may occur as a result of non-observance of this warning.

⚠ CAUTION

This indicates that minor or moderate injuries may occur as a result of non-observance of this warning.

NOTICE:

This indicates that damage to the appliance or property may occur as a result of non-compliance with this advisory.

Note: This alerts you to important information and/or tips.

1.2 Safe use

All product manuals may be downloaded online at www.thermador.com/us/support/owner-manuals.

WARNING

Please review the appliance's Use and Care Guide and Installation Guide for other important safety information regarding the appliance.

When properly cared for, your new appliance has been designed to be safe and reliable.

- ▶ Read all instructions carefully before use. These precautions will reduce the risk of burns, electric shock, fire, and injury to persons.
- ▶ When using kitchen appliances, basic safety precautions must be followed, including those in the following pages.

WARNING

DO NOT TOUCH SURFACE UNITS OR AREAS NEAR UNITS. Surface units may be hot even though they are dark in color. Areas near surface units may become hot enough to cause burns.

- ▶ During and after use, do not touch, or let clothing, potholders, or other flammable materials contact surface units or areas near units until they have had sufficient time to cool. Among these areas are the cooktop and areas facing the cooktop.

After each use, turn off the cooking zone using the control knob. **DO NOT** rely on the pan detection feature to turn off the cooking zones when you remove the pans.

WARNING

When cooking with a double-boiler, the cooktop and cooking vessel may crack due to overheating.

- ▶ The cooking vessel in the double-boiler must not come in direct contact with the bottom of the pot filled with water.



IMPORTANT SAFETY INSTRUCTIONS

READ AND SAVE THESE INSTRUCTIONS

- ▶ Use only heat-resistant cookware.

Liquid between the pot base and the cooktop may build up steam pressure. This may cause the pot to jump suddenly causing injury.

- ▶ Always keep the cooktop and bases of pots dry.

WARNING

WARNING - DO NOT PLACE METALLIC OBJECTS SUCH AS KNIVES, FORKS, SPOONS, AND LIDS ON THE COOKTOP SURFACE SINCE THEY CAN GET HOT.

WARNING

Do Not Cook on a Broken Cooktop - If the cooktop should break, cleaning solutions and spillovers may penetrate the broken cooktop and create a risk of electric shock.

- ▶ Contact an authorized service provider immediately.

1.3 Electromagnetic interference

WARNING

This induction cooktop generates and uses ISM frequency energy that heats cookware by using an electromagnetic field. It has been tested and complies with Part 18 of the FCC Rules for ISM equipment. This induction cooktop meets the FCC requirements to minimize interference with other devices in residential installation. Induction cooktops may cause interference with television or radio reception. If interference occurs, the user should try to correct the interference by

- ▶ Relocating the receiving antenna of the radio or television.
- ▶ Increasing the distance between the cooktop and the receiver.
- ▶ Connecting the receiver into an outlet different than the cooktop.
- ▶ It is the user's responsibility to correct any interference.

CAUTION

Persons with a pacemaker or similar medical device should exercise caution when standing near an induction cooktop while it is in use.

- ▶ Consult your doctor or the manufacturer of the pacemaker or similar medical device for additional information about its effects with electromagnetic fields from an induction cooktop.

1.4 State of California Proposition 65 Warnings

This product may contain a chemical known to the State of California, which can cause cancer or reproductive harm. Therefore, the packaging of your product may bear the following label as required by California:

STATE OF CALIFORNIA PROPOSITION 65 WARNING:



Cancer and Reproductive Harm - www.P65Warnings.ca.gov

2 Preventing material damage

NOTICE:

Cookware with rough bottoms scratch the glass ceramic surface.

- ▶ Check the bottom of the cookware before setting it down.

Salt, sugar or grains of sand scratch the glass ceramic surface.

- ▶ Never use the cooktop as a working surface or for setting things down.

Overheating can damage the cookware.

- ▶ Do not heat empty pots or pans.

Hot cookware can cause the electronics to overheat.

- ▶ Never set down hot pans and pots on the control panel or the cooktop frame.

When hard or sharp objects fall on the cooktop, they can cause damage.

- ▶ Do not let hard or pointed objects fall on the cooktop.

Aluminum foil and plastic melt on hot cooking zones.

- ▶ Do not let aluminum foil or plastic come into contact with hot cooking zones.

- ▶ Do not use cooktop protective film.

Unsuitable cleaning agents can cause shimmering metallic discolorations on the glass ceramic surface.

- ▶ Refer to the cleaning recommendations in this manual.

→ "Cleaning and maintenance", Page 9

2.1 Overview of the most common types of damage

Here you can find an overview of the most common types of damage and suggestions how to avoid them.

Stains

Cause	How to avoid
Boiled-over food	Remove boiled-over food immediately with a glass scraper.
Unsuitable cleaning agents	Use cleaning agents that are suitable for glass ceramic cooktops.

Scratches

Cause	How to avoid
Salt, sugar and sand	Do not use the cooktop as a work surface or storage space.
Cookware with rough bases	Check the cookware.

Discolorations

Cause	How to avoid
Unsuitable cleaning agents	Use cleaning agents that are suitable for glass ceramic cooktops.
Pot abrasion (e.g. aluminum)	Lift pots and pans when moving them.

Blisters

Cause	How to avoid
Sugar, food with a high sugar content	Remove boiled-over food immediately with a glass scraper.

3 Environmental protection and energy-saving

3.1 Disposal of packaging

The packaging materials are environmentally compatible and can be recycled.

- ▶ Sort the individual components by type and dispose of them separately.

3.2 Saving energy

If you follow these tips, your appliance consumes less energy.

Select cookware with a base diameter that matches the cooking zone. Center the cookware on the cooking zone.

Tip: For frying pans, cookware manufacturers usually state the top diameter of the cookware. The diameter of the pan base is usually smaller.

- ✓ The energy is targeted at the cookware.
If you use cookware that is too small, energy is wasted.
If the cookware is too large, much energy is used to heat up the cookware.

Close cookware with a fitting lid.

- ✓ Cooking without a lid consumes more energy.

Only lift the lid when necessary.

- ✓ If you lift the lid, a lot of energy can escape.

Use a glass lid.

- ✓ If you use a glass lid, you can look inside the cookware without lifting the lid.

Use cookware with a solid flat bottom.

- ✓ Curved cookware bases increase energy consumption.

Use a cookware size that matches the amount of food you want to cook.

- ✓ Large cookware with little content consumes a lot of energy.

Cook with a small amount of water.

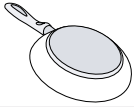


- ✓ More water requires more energy to heat it up.

Select a lower power level as soon as possible. Select a suitable power level to continue cooking.

- ✓ For ongoing cooking a lower power level is sufficient.

4 Suitable cookware

Cookware that is suitable for induction cooking must have a ferromagnetic base, i.e. it must be attracted by a magnet. The base must also match the size of the cooking zone. If cookware is not detected on a cooking zone, place it on the cooking zone with the next smallest diameter.

Cookware	Materials	Properties
Recommended cookware	Stainless steel cookware in a sandwich design that distributes the heat well.	This cookware distributes the heat evenly, heats up quickly, and ensures that it can be detected.
 Suitable	Ferromagnetic cookware made of enameled steel, cast iron or special induction cookware made of stainless steel.	This cookware distributes the heat evenly, heats up quickly, and ensures that it can be detected.
	The base is not fully ferromagnetic.	If the ferromagnetic area is smaller than the base of the cookware, only the area that is ferromagnetic heats up. As a result, the heat is not distributed evenly.
  Not suitable	Cookware bases with aluminum content.	These cookware bases reduce the ferromagnetic area, which means that less power is emitted to the cookware. This cookware may not be sufficiently detected or may not be detected at all, and therefore does not heat sufficiently.
	Cookware made from normal thin steel, glass, clay, copper or aluminum.	

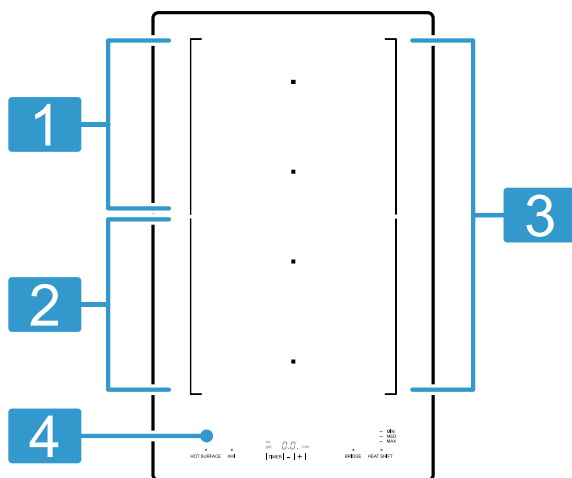
Notes

- Do not use adapter plates between the cooktop and the cookware.
- Do not heat up empty cookware and do not use cookware with a thin base, as this may become very hot.

5 Familiarizing yourself with your appliance

5.1 Induction zone

Your rangetop is equipped with an induction cooking zone.



1 Rear single cooking zone

2 Front single cooking zone

4.1 Size and characteristics of the cookware

To be able correctly detect the cookware, you must take the size and the material of the cookware into consideration. All cookware bases must be perfectly flat and smooth.



3 When used as combined cooking zone:

- Liberty® bridge zone
- HeatShift® function

4 Control panel

5.2 Control knobs

You can adjust the settings for the induction module with the two control knobs below the induction module.

Position	Setting
OFF	Cooking zone turned off
1 - 9	Power levels
	HeatShift® function
	Use the Liberty® cooking zone as a bridge zone
XHI	PowerBoost® function

5.3 Touch keys and displays

The display at the front of the induction module shows the active functions and lets you set a kitchen timer. The indicator lights above the printed words show which functions are active.

HOT SURFACE Cooking zone and residual heat indicator:
Lights up when the cooking zone is turned on and remains lit while the cooking zone emits heat.
DO NOT touch the cooking zones as long as the indicator lights up, even if the cooking zone is already turned off.

XHI PowerBoost® function

TIMER I - I +	Setting a kitchen timer
BRIDGE	Liberty® function Activate bridge zone for larger cookware
HEAT SHIFT	HeatShift® activated Indicator bar of the currently active zone lights up bright
MIN - MED - MAX	Preset power levels for HeatShift®
no pot	No cookware detected
0.0.	Timer and error display

6 Operation

Here you will find everything you need to know about operating your appliance.

6.1 Setting the power level

1. Push in the control knob and turn it left or right to the desired power level.
- ✓ The cooking zone indicator light turns on.
2. Place cookware on the cooking zone within 30 seconds.

Notes

- If there is no cookware on the cooking zone, or the cookware is not suitable for induction cooking, the cooking zone turns off automatically after 30 seconds. To reactivate the cooking zone, turn the control knob to OFF and reset the power level.
- If you remove the pan while the cooking zone is on, the no pot indicator flashes.

6.2 Turning off the induction module

- ▶ Turn both control knobs to the OFF position.
- ✓ The residual heat display remains lit until the cooking zone has cooled down, even if the knob is turned OFF.

6.3 Recommended cooking settings

Here you can find recommendations on cooking and an overview of various dishes with suitable heat levels.

- Stir thick liquids occasionally.
- Food that needs to be seared quickly, or food which loses a lot of liquid during initial frying, is best seared in several small portions.
- When you cook with a lid on, turn the heat setting down as soon as steam escapes between lid and cookware.
- Keep the lid on the cookware after cooking until you serve the food.
- When you cook with a pressure cooker, observe the manufacturer's instructions.
- Do not cook food for too long or in too much water. Otherwise the nutrients will be lost. You can use the kitchen timer to set the optimum cooking time.
→ "Kitchen timer", Page 9
- Do not heat oil or grease until it smokes. You will achieve healthier cooking results.
- When you brown food, fry small portions one after the other.
- Cookware may become very hot during cooking. We recommend the use of pot holders.
- → "Saving energy", Page 5

Cooking charts

The cooking chart shows which power level is suitable for each type of food. The cooking time may vary depending on the type, weight, thickness and quality of the food.

⚠ CAUTION

Stews or liquids can heat up very quickly during cooking and may overflow or spatter, e.g. soups, sauces or drinks.

- ▶ Stir continuously.
- ▶ Heat the food at a suitable power level.

Melting

Type of food	Power level
Chocolate	1 - 2
Chocolate chips	1 - 2
Butter	1 - 2

Heating

Broth	3 - 4
Thick soup	2 - 3
Milk ¹	1 - 2
¹ Cook without lid	

Simmering

Delicate sauce, e. g. Béchamel sauce	1 - 2
Spaghetti sauce	1 - 2
Pot roast	4 - 5
Fish ¹	4 - 5
¹ Ongoing cooking without lid	

Cooking

Rice, with double amount of water	1 - 2
Boiled potatoes, with 1-2 cups of water	6 - 8
Fresh vegetables, with 1-2 cups of water	6 - 8
Frozen vegetables, with 1-2 cups of water	6 - 8
Pasta, with 2-4 qt. water ¹	8 - 9
Pudding ²	3 - 4
Cereals	3 - 4
¹ Ongoing cooking without lid	
² Cook without lid	

Frying

Pork chop ¹	8 - 9
Chicken breast ¹	7 - 8
Bacon	8 - 9
Eggs	6 - 7
Fish	8 - 9
Pancakes	6 - 7
¹ Turn the food several times.	

Deep-fat frying

Fry in 1-2 qt. oil without a lid.

Deep-frozen foods, e. g. chicken nuggets (0.5 lb per serving)	8 - 9
---	-------

6.4 Liberty® cooking zone

The Liberty® zone allows you to use cookware of different sizes and shapes. It consists of 4 induction elements, which are controlled independently from each other. When you use the Liberty® function, only the area that is covered by cookware is activated.

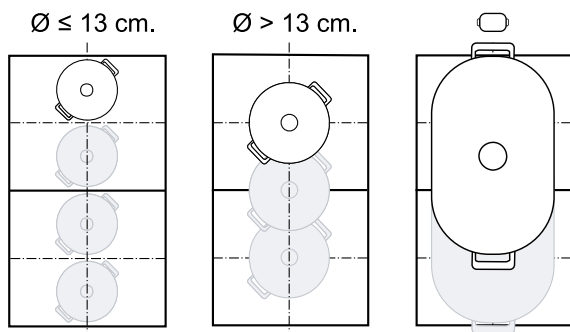
Positioning the cookware


The flexible cooking zone can be configured in two ways, depending on which cookware is used. In order to provide good thermal detection and heat distribution, we recommend positioning the cookware in the center, as shown in the images.

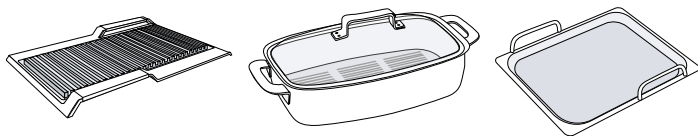
As a connected cooking zone

Recommended for cooking with just one item of cookware.

- Position the cookware depending on the size:

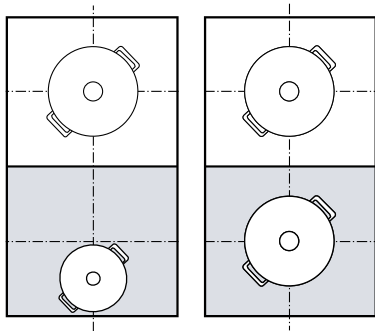


- Recommended oblong cookware :




As two separate cooking zones

Recommended for cooking with two items of cookware. You can use the front and rear zone independently of one another, and set a separate power level for each zone.



Activating the Liberty® zone

- Place the cookware on the cooking zone.

- Turn the right control knob for the induction zone to .
 - The BRIDGE indicator lights up on the cooking zone.
- Set the desired power level with the left control knob.
 - The appliance detects the cookware and activates the section that is covered by the cookware.
- To use the Liberty® zone as two individual cooking zones, set a power level with both control knobs.

6.5 PowerBoost®

With this function you can heat larger quantities of water faster than with power level 9. This function temporarily increases the top output of the selected cooking zone. You can also use this function on the flexible cooking zone if it is used as a joined cooking zone.

Restrictions for using PowerBoost®

- Both cooking zones are equipped with the PowerBoost® function.
- This function can only be used on one cooking zone segment at a time. The illustration shows these segments of your cooktop.



If the function is active on one cooking zone segment and you set a power level on the other cooking zone segment, the function will be deactivated. The cooking zone is automatically set to power level 9.

Activating PowerBoost®

- Turn the control knob of the desired cooking zone to **XHI**.

Deactivating PowerBoost®

If you do not deactivate the PowerBoost® function, it turns off automatically after 10 minutes. The cooking zone continues operating with power level 9.

- Turn the control knob of the desired cooking zone to any other power level.

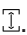
Note: The function does not turn on automatically when it becomes available again. To turn it on manually, set the control knob to any other heat level and then to **XHI** again.

6.6 HeatShift® function

You can change the power level for an item of cookware by moving it to a different position on the flexible cooking zone. The flexible cooking zone is divided into 3 cooking areas with different power levels.

Activating the Move function

Activating HeatShift®

- Turn the left control knob for the induction zone to .
 - The HEAT SHIFT indicator lights up on the cooking zone.

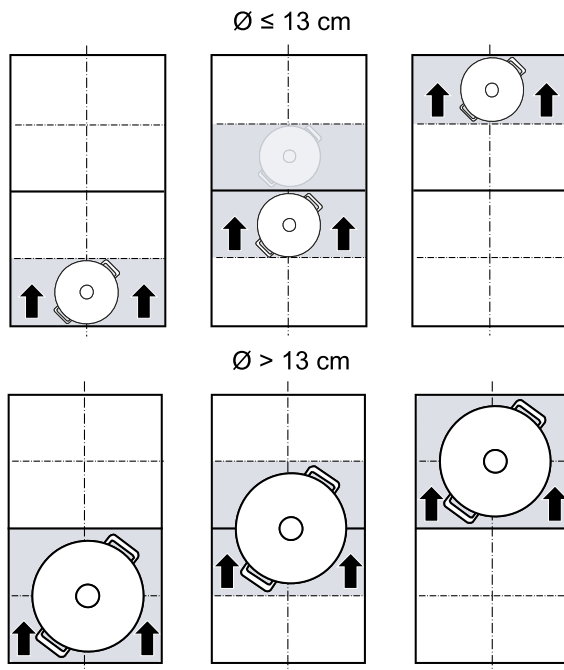
Positioning and moving the cookware

Use only one item of cookware. The cooking area depends on the size and position of the cookware.

Each cooking area has a predefined power level:

- Front area = Power level 9
- Center area = Power level 5
- Rear area = Power level 1

You can change the power levels in the basic settings.



Deactivating HeatShift®

- ▶ Turn the right control knob to a different power level.

6.7 Kitchen timer

You can use the Kitchen timer to set a time of up to 99 minutes.

The Kitchen timer is independent from other settings and does not switch off a cooking zone.

Setting the Kitchen timer

⚠ WARNING

Boilovers can cause smoke and some foods and oils may catch fire if left on high temperature settings.

- ▶ When using a timer, always supervise the cooktop.
- ▶ Do not allow anything to boil over or burn.

1. Press **TIMER**.
- ✓ **00** lights up in the timer display.
2. Set the desired duration with **+** or **-** within 10 seconds.

Notes

- If you do not make any settings the timer turns off automatically.
 - Touch and hold **+** or **-** to increase or decrease the set duration more rapidly.
3. Press **TIMER** to confirm.
 - ✓ A beep sounds and the timer starts to count down.

- ✓ If you do not press **TIMER** the timer begins to count down automatically after 10 seconds.
 - ✓ When the time has elapsed, a beep sounds. **00** blinks in the timer display.
4. Press **TIMER** or operate a control knob to turn off the signals. After 3 minutes the signals stop automatically.

Changing or canceling the kitchen timer

1. Press **TIMER**.
2. Adjust the duration with **+** or **-**.
To cancel the kitchen timer, set the time to **00**.

7 Cleaning and maintenance

To keep your appliance working efficiently for a long time, it is important to clean and maintain it carefully.

7.1 Cleaning agents

You can purchase suitable cleaners and glass scrapers from Customer Support or in our online shop www.thermador.com/us/accessories.

Recommended cleaning agents

- Glass ceramic cooktop cleaner
- BonAmi®¹
- Soft Scrub®¹ (without bleach)
- White vinegar

Unsuitable cleaning agents

- Glass cleaners which contain ammonia or chlorine bleach. These cleaners may damage or permanently stain the cooktop.
- Caustic cleaners such as Easy Off®¹. These cleaners may stain the cooktop surface.
- Abrasive cleaners.
- Metal scouring pads and scrub sponges such as Scotch Brite®¹. These cleaners may scratch the cooktop surface and/or leave metal marks.
- Soap-filled scouring pads such as SOS®¹. These cleaners may scratch the cooktop surface.
- Powdery cleaners containing chlorine bleach. These cleaners may permanently stain the cooktop surface.
- Flammable cleaners such as lighter fluid or WD-40.

7.2 Cleaning the glass ceramic cooktop

⚠ WARNING

Clean Cooktop With Caution.

- ▶ If a wet sponge or cloth is used to wipe spills on a hot cooking area, be careful to avoid steam burn.
- ▶ Some cleaners can produce noxious fumes if applied to a hot surface.
- ▶ Do not clean the appliance while it is still hot.

⚠ CAUTION

Do not use any kind of cleaner on the glass while the surface is hot; use only the glass scraper. The resulting fumes can be hazardous to your health. Heating the cleaner can chemically attack and damage the surface.

¹ These marks are registered trademarks of their respective owners. All other trademarks are trademarks of BSH Home Appliances Corporation or its affiliated companies.

Requirements

- The cooktop has cooled off.
 - Exception: Remove dry sugar, sugar syrup, milk and tomato products immediately.
→ "Cleaning recommendations", Page 10
1. Wipe off splatters with a clean, damp sponge or a paper towel.
 2. Rinse and dry.
 3. If a smudge remains use white vinegar.
 4. Rinse and dry again.
 5. Apply a small amount of cooktop cleaner with a clean paper towel or cloth and let it dry.
 6. Buff the surface with a clean paper towel or cloth.

7.3 Cleaning recommendations

Follow these cleaning instructions for removing common soiling.

WARNING

The blade of the glass scraper is extremely sharp. You can cut yourself.

- ▶ Replace the blade immediately, when you see any imperfections.
- ▶ Follow the manufacturer's instructions.

NOTICE:

Diamond rings may scratch the ceramic cooktop surface.

- ▶ Take off any rings before you clean the ceramic cooktop surface.

Type of soil	Recommendation
<ul style="list-style-type: none"> ■ Dry sugar ■ Sugar syrup ■ Milk ■ Tomato spills ■ Melted plastic film or foil 	<p>REMOVE IMMEDIATELY. Failure to remove these substances immediately can permanently damage the ceramic cooktop surface.</p> <p>Remove the soil with the glass scraper while the cooktop surface is still hot.</p> <p>Use a new, sharp razor in the glass scraper.</p> <ul style="list-style-type: none"> ■ Remove the cookware and turn off the cooking zone. ■ Put on an oven mitt. ■ Hold the glass scraper at 30° angle and scrape off the soil. Be careful not to gouge or scratch the glass ceramic surface. ■ Push the soil off the heated area. ■ Let the surface cool. ■ Remove the residue and apply glass ceramic cooktop cleaner.

¹ These marks are registered trademarks of their respective owners. All other trademarks are trademarks of BSH Home Appliances Corporation or its affiliated companies.

Type of soil	Recommendation
<ul style="list-style-type: none"> ■ Burned-on food soil ■ Dark streaks ■ Dark specks 	<ul style="list-style-type: none"> ■ Lay a damp paper towel or sponge on top of the soil for 30 minutes to soften the soil. ■ Remove the soil with a plastic scrubber and glass ceramic cooktop cleaner or with the glass scraper. ■ Rinse the cooktop surface and dry it.
Greasy spatters	<ul style="list-style-type: none"> ■ Remove grease with a soapy sponge or cloth. ■ Rinse the cooktop surface thoroughly and dry it. ■ Apply glass ceramic cooktop cleaner.
Metal marks: iridescent stain	<p>Pans with aluminum, copper or stainless steel bases may leave marks.</p> <p>Treat metal marks immediately after the cooktop surface has cooled off. Failure to do so makes removal very difficult.</p> <ul style="list-style-type: none"> ■ Clean the cooktop surface with glass ceramic cooktop cleaner. ■ If this does not remove the marks, clean the cooktop surface with a damp paper towel and a mild abrasive (Bon Ami®¹, Soft Scrub®¹ without bleach). ■ Rinse the cooktop surface and apply glass ceramic cooktop cleaner.
Hard water spots	<p>Hot cooking liquids may drip or spill on the cooktop surface. The minerals in some water can be transferred onto the surface and cause stains.</p> <p>Remove boilovers and stains before using the cooktop again.</p> <ul style="list-style-type: none"> ■ Clean the cooktop surface with undiluted white vinegar. ■ Rinse the cooktop surface and dry it. ■ Apply glass ceramic cooktop cleaner.
Surface scratches	<p>Small scratches are common and do not affect cooking. They become smoother and less noticeable with daily use of the glass ceramic cooktop cleaner.</p> <ul style="list-style-type: none"> ■ Apply glass ceramic cooktop cleaner before cooking to remove sand-like grains and grit such as salt and seasoning. ■ Scratches can be reduced by using pans with bases that are smooth, clean, and dry before use. Use recommended glass ceramic cooktop cleaner daily.

¹ These marks are registered trademarks of their respective owners. All other trademarks are trademarks of BSH Home Appliances Corporation or its affiliated companies.

7.4 Maintenance

This appliance requires no maintenance other than daily cleaning.
For best results, apply cooktop cleaning cream daily.

8 Troubleshooting

You can eliminate minor issues on your appliance yourself. Please read the information on eliminating issues before contacting Customer Service. This may avoid unnecessary repair visits.

WARNING

Improper repairs are dangerous.

- ▶ Only authorized service providers should repair the appliance.

- ▶ If the power cord of this appliance becomes damaged, it must be replaced by the manufacturer, the manufacturer's Customer Service, or an authorized service provider in order to prevent injury.
- ▶ Only original spare parts may be used to repair the appliance.
- ▶ If the appliance has an issue, call Customer Service.

Issue	Cause and troubleshooting
The induction module is not working	<p>The power supply has been disconnected.</p> <ul style="list-style-type: none"> ▶ Check whether the lighting in your kitchen or other appliances in the room are working. <p>The appliance has not been connected as shown in the circuit diagram.</p> <ol style="list-style-type: none"> 1. Disconnect the appliance from the power supply. 2. Make sure the appliance has been connected as shown in the circuit diagram. <p>There is an electronics fault</p> <ul style="list-style-type: none"> ▶ If the fault cannot be eliminated, call Customer Service.
The no pot indicator blinks and turns off	<p>The cooking zone is unable to detect cookware.</p> <ol style="list-style-type: none"> 1. Place cookware on the cooking zone within 30 seconds after setting a power level. 2. If cookware is present on the cooking zone, check if the cookware is suitable for induction cooking.
The cooking zone has turned OFF, the indicator light is blinking.	<p>The control knob has not been moved for a long time. The safety lock has been activated.</p> <ul style="list-style-type: none"> ▶ Turn the control knob to OFF and then set a power level again.
All cooking zones have switched off automatically.	<p>After a power failure, the induction module remains off for over 25 seconds for safety reasons.</p> <ul style="list-style-type: none"> ▶ Turn the control knob to OFF and then set a power level again.
<i>E_r/d/E</i> and numbers	<p>There is an electronics fault</p> <ol style="list-style-type: none"> 1. Disconnect the appliance from the power supply. 2. Wait a couple of seconds and reconnect the appliance to the power supply. 3. If the message persists, call Customer Support.
<i>F_B + H / h</i> and cooking zones not heating	<p>The cooking zone has been operating continuously for an extended period of time without interaction. The automatic time limitation has been triggered.</p> <ul style="list-style-type: none"> ▶ Touch any control element. ✓ You can set the cooking zone and continue to cook.
<i>F₂</i>	<p>The electronics have overheated. The induction module has switched off.</p> <ol style="list-style-type: none"> 1. Wait until the electronics have cooled down sufficiently. 2. Touch any control element. <ul style="list-style-type: none"> ✓ When error message disappears, the electronics have cooled down sufficiently. You can continue to cook.
<i>F₅</i> and the power level flash alternately. A signal tone sounds.	<p>There is hot cookware near the control panel. The electronics are at risk of overheating.</p> <ul style="list-style-type: none"> ▶ Remove the cookware from the control panel. ✓ You can continue to cook.
<i>F₅</i> and audible signal	<p>There is hot cookware near the control panel. The cooking zone has switched off to protect the electronics.</p> <ol style="list-style-type: none"> 1. Remove the cookware from the control panel. 2. Wait a few seconds. 3. Touch any control element. <ul style="list-style-type: none"> ✓ When error message disappears, the electronics have cooled down sufficiently. You can continue to cook.
<i>F₁/F₆</i>	<p>The cooking zone has overheated. It has switched off to protect the work surface.</p> <ol style="list-style-type: none"> 1. Wait until the electronics have cooled down sufficiently. 2. Switch the cooking zone back on. <ul style="list-style-type: none"> ✓ You can continue to cook.

Issue	Cause and troubleshooting
<i>E06/2</i>	The control knobs are not connected to the induction module. ▶ Call Customer Service.
<i>F0/F9</i>	There is an electronics fault 1. Disconnect the appliance from the power supply. 2. Wait a couple of seconds and reconnect the appliance to the power supply. 3. If the message persists, call Customer Support.
<i>F4</i>	There is hot cookware near the control panel. The cooking zone has switched off to protect the electronics. 1. Remove the pot from the cooking zone. 2. Turn all control knobs to OFF. 3. The error message goes out once the surface has cooled down sufficiently. Set a new power level if desired. 4. If the malfunction persists, call Customer Service.
<i>U1</i>	The supply voltage is incorrect. It is outside the normal operating range. ▶ Contact your electrical utility provider.
<i>U2/U3</i>	The cooking zone has overheated. It has switched off to protect the work surface. 1. Remove the pot from the cooking zone. 2. Turn all control knobs to OFF. 3. The error message goes out once the surface has cooled down sufficiently. Set a new power level if desired. 4. If the malfunction persists, call Customer Service.

8.1 Normal operating noises

The following noises are normal and do not constitute a malfunction or issue.

Type of noise	Cause
Low humming, like a transformer	Cooking at a high power level. It is based on the amount of energy transferred from the cooking surface to the cookware. The noise ceases or quiets down when you reduce the power level.
Quiet whistling	Cookware is empty. It ceases once you place water or food in the cookware.
Crackling	Cookware is comprised of various materials layered one upon the other. It is caused by the vibrations of the surfaces where different materials meet. The noise occurs on the cookware and can vary depending on the amount and method of preparation of the food.
Loud whistling	Cookware is comprised of different materials layered one upon the other, and maximum power level is used on both cooking zones. The noise ceases or quiets down when the heat level is reduced.

Information about current disposal methods can be obtained from your specialist dealer or local authority.

10 Customer Service

With any warranty repair, we will make sure your appliance is repaired by an authorized service provider using genuine replacement parts. We use only genuine replacement parts for all repairs.

Detailed information on the warranty period and terms of warranty can be found in the Statement of Limited Product Warranty, from your retailer, or on our website.

If you contact the Customer Service, you will need the model number (E-Nr.) and the production number (FD) of your appliance.

USA:

1-800-735-4328

www.thermador.com/support

www.thermador.com/us/accessories

CA:

1-800-735-4328

www.thermador.ca

www.thermador.ca/en/support/filters-cleaners-accessories

9 Disposal

9.1 Disposal of your old appliance

Environmentally compatible disposal allows valuable raw materials to be recycled.

- ▶ Dispose of the appliance in an environmentally responsible manner.

Table des matières

1 IMPORTANTES CONSIGNES DE SÉCURITÉ	15
1.1 Définitions des termes de sécurité	15
1.2 Utilisation sécuritaire	15
1.3 Interférence électromagnétique.....	16
1.4 Mises en garde conformément à la proposition 65 de l'État de Californie	16
2 Prévenir les dommages matériels	17
2.1 Vue d'ensemble des types de dommages les plus courants	17
3 Protection de l'environnement et économies	17
3.1 Mise au rebut de l'emballage	17
3.2 Économiser de l'énergie.....	17
4 Ustensiles adaptés	18
4.1 Dimensions et propriétés des ustensiles	18
5 Description de l'appareil	18
5.1 Zone d'induction.....	18
5.2 Boutons de commande	19
5.3 Touches tactiles et écrans.....	19
6 Fonctionnement	19
6.1 Réglage du niveau de puissance	19
6.2 Éteindre le module d'induction	19
6.3 Paramètres de cuisson recommandés	19
6.4 Zone de cuisson Liberty®	20
6.5 PowerBoost®	21
6.6 Fonction HeatShift®.....	21
6.7 minuterie de cuisine	21
7 Nettoyage et entretien	22
7.1 Produits de nettoyage	22
7.2 Nettoyage de la table de cuisson vitrocéramique	22
7.3 Recommandations en matière de nettoyage	23
7.4 Entretien	24
8 Dépannage	25
9 Élimination	26
9.1 Éliminer un appareil usagé.....	26
10 Service à la clientèle	26



IMPORTANTES CONSIGNES DE SÉCURITÉ

LIRE ET CONSERVER CES INSTRUCTIONS

Lisez toutes les instructions attentivement avant l'utilisation. Ces précautions réduiront le risque d'électrocution, d'incendie et de blessure pour les personnes utilisant l'appareil. Lorsque vous utilisez des appareils électroménagers, il importe de suivre les précautions de sécurité de base, y compris celles indiquées dans les pages suivantes.

⚠ AVERTISSEMENT :

Ne jamais faire fonctionner la surface de la table de cuisson de cet appareil sans surveillance.

- **Le non-respect de cet avertissement pourrait entraîner un risque d'incendie, d'explosion ou de brûlure qui pourrait provoquer des dommages matériels, des blessures ou un décès.**
- **En cas d'incendie, se tenir à l'écart de l'appareil et appeler immédiatement les pompiers.**

NE PAS ESSAYER D'ÉTEINDRE UN INCENDIE DE GRAISSE OU D'HUILE AVEC DE L'EAU.

1.1 Définitions des termes de sécurité

Vous trouverez ici des explications sur les mots de signalisation de sécurité utilisés dans ce manuel.

⚠ AVERTISSEMENT

Signale un risque de mort ou de blessure grave si l'avertissement n'est pas respecté.

⚠ MISE EN GARDE

Signale un risque de blessures mineures ou modérées si l'avertissement n'est pas respecté.

AVIS :

Ceci indique que la non-conformité à cet avis de sécurité peut entraîner des dégâts matériels ou endommager l'appareil.

Remarque : Ceci vous signale des informations et/ou indications importantes.

1.2 Utilisation sécuritaire

Tous les manuels des produits peuvent être téléchargés en ligne à l'adresse www.thermador.com/us/support/owner-manuals.

AVERTISSEMENT

Veillez revoir l'appareil manuel et manuel d'installation pour d'autres informations de sécurité importantes concernant l'appareil.

Lorsqu'il est correctement entretenu, votre nouvel appareil a été conçu pour être sûr et fiable.

- ▶ Lisez toutes les instructions attentivement avant l'utilisation. Ces consignes réduiront le risque de brûlure, d'électrocution, d'incendie et de blessure pour les personnes utilisant l'appareil.
- ▶ Lorsque vous utilisez des appareils électroménagers, il importe de suivre les précautions de sécurité de base, y compris celles indiquées dans les pages suivantes.

AVERTISSEMENT

NE PAS TOUCHER LES UNITÉS DE SURFACE OU LES ZONES À PROXIMITÉ DES UNITÉS. Les éléments de surface peuvent être chauds, même s'ils sont foncés. Les zones à proximité des éléments peuvent devenir suffisamment chaudes pour causer des brûlures.

- ▶ Pendant et après l'utilisation, ne touchez pas et ne laissez pas les vêtements, les maniques ou autres matériaux inflammables entrer en contact avec les unités de surface ou les zones proches des unités avant d'avoir suffisamment de temps pour refroidir. Parmi ces zones se trouvent la table de cuisson et les zones faisant face à la table de cuisson.

Après chaque utilisation, éteignez la zone de cuisson à l'aide du bouton de commande. **NE comptez PAS** sur la fonction de détection de casserole pour éteindre les zones de cuisson lorsque vous retirez les casseroles.



IMPORTANTES CONSIGNES DE SÉCURITÉ

LIRE ET CONSERVER CES INSTRUCTIONS

AVERTISSEMENT

Lors de la cuisson au bain-marie, la table de cuisson et le récipient de cuisson peuvent se fissurer en raison d'une surchauffe.

- ▶ Le plat de cuisson du bain-marie ne peut entrer en contact direct avec le fond de la casserole remplie d'eau chaude.
- ▶ N'utiliser que des ustensiles de cuisson résistants à la chaleur.

Le liquide entre la base de pot et la table de cuisson peut augmenter la pression de vapeur. Cela pourrait faire sauter le pot soudainement et causer des blessures.

- ▶ Gardez toujours la table de cuisson et les bases des casseroles sèches.

AVERTISSEMENT

AVERTISSEMENT - NE PLACER PAS DES OBJETS MÉTALLIQUES TELS QUE LES COUTEAUX, LES FOURCHETTES, LES CUILLÈRES ET LES COUVERCLES SUR LA SURFACE DE CAISSON PUISQU'ILS PEUVENT DEVENIR CHAUDS.

AVERTISSEMENT

Ne pas cuire sur une surface de cuisson cassée - Si la surface de cuisson se brise, les solutions de nettoyage et les débordements peuvent pénétrer dans la surface de cuisson cassée et créer un risque de choc électrique.

- ▶ Contactez immédiatement un fournisseur de services agréé.

1.3 Interférence électromagnétique

AVERTISSEMENT

Cette table de cuisson à induction génère et utilise de l'énergie à fréquence ISM qui chauffe les casseroles en utilisant un champ électromagnétique. Elle a été testée et est conforme avec la partie 18 des règlements FCC régissant les appareils ISM. Cette table de cuisson est conforme aux exigences FCC visant à réduire la perturbation des autres dispositifs dans des installations résidentielles. Les tables de cuisson à induction peuvent perturber la réception radio et télévision. En cas d'interférence, l'utilisateur doit essayer de corriger l'interférence en

- ▶ Relocalisant l'antenne de réception de la radio ou du téléviseur.
- ▶ Augmentant la distance entre la table de cuisson et le récepteur.

- ▶ Branchant le récepteur à une prise différente de celle du récepteur.
- ▶ C'est à l'utilisateur qu'il incombe de corriger toute perturbation.

MISE EN GARDE

Les personnes avec un stimulateur cardiaque ou autre dispositif médical similaire devraient redoubler de vigilance lorsqu'elles sont à proximité d'une table de cuisson à induction en marche.

- ▶ Consultez votre médecin ou le fabricant du stimulateur cardiaque pour de plus amples renseignements sur les effets que peuvent causer les champs électromagnétiques provenant d'une table de cuisson à induction.

1.4 Mises en garde conformément à la proposition 65 de l'État de Californie

Ce produit pourrait contenir un produit chimique reconnu par l'État de la Californie comme cancérigène ou ayant des effets nocifs sur la reproduction. Par conséquent, vous pourriez devoir apposer l'étiquette suivante sur l'emballage du produit comme requis par la Californie :

AVERTISSEMENT ISSUE DE LA PROPOSITION 65 DE L'ÉTAT DE LA CALIFORNIE :



AVERTISSEMENT

Cancer et dommages à la reproduction -
www.P65Warnings.ca.gov

2 Prévenir les dommages matériels

AVIS :

Les plats de cuisson dont le dessous est rugueux peuvent rayer la surface en vitrocéramique.

- ▶ Vérifiez le fond de l'ustensile avant de le poser.

Du sel, du sucre ou des grains de sable rayent la surface de la vitrocéramique.

- ▶ Ne jamais utiliser la table de cuisson comme surface de travail ou pour y déposer des objets.

La surchauffe peut endommager la batterie de cuisine.

- ▶ Ne chauffez pas de casseroles ou poêles vides.

Les ustensiles de cuisson chauds peuvent provoquer une surchauffe des composants électroniques.

- ▶ Ne posez jamais de poêles et de casseroles chaudes sur le panneau de commande ou le cadre de la table de cuisson.

Lorsque des objets durs ou pointus tombent sur la table de cuisson, ils peuvent l'endommager.

- ▶ Ne laissez pas d'objets durs ou pointus tomber sur la table de cuisson.

Le papier d'aluminium et le plastique fondent sur les zones de cuisson chaudes.

- ▶ Ne laissez pas de papier d'aluminium ou de plastique entrer en contact avec les zones de cuisson chaudes.
- ▶ N'utilisez pas de film protecteur pour table de cuisson.

Des agents de nettoyage inappropriés peuvent provoquer des décolorations métalliques chatoyantes sur la surface vitrocéramique.

- ▶ Reportez-vous aux recommandations de nettoyage de ce manuel.

→ "Nettoyage et entretien", Page 22

2.1 Vue d'ensemble des types de dommages les plus courants

Vous trouverez ici un aperçu des types de dommages les plus courants et des suggestions pour les éviter.

Taches

Cause	Comment éviter
Éclaboussure de nourriture	Retirez immédiatement les éclaboussures de nourriture à l'aide d'un grattoir à verre.
Produits de nettoyage inappropriés	Utilisez des agents de nettoyage adaptés aux tables de cuisson en vitrocéramique.

Rayures

Cause	Comment éviter
Sel, sucre et sable	N'utilisez pas la table de cuisson comme surface de travail ou espace de rangement.
Ustensiles de cuisine à fond rugueux	Vérifiez la batterie de cuisine.

Décolorations

Cause	Comment éviter
Produits de nettoyage inappropriés	Utilisez des agents de nettoyage adaptés aux tables de cuisson en vitrocéramique.

Cause	Comment éviter
Abrasion de casserole (par ex. Aluminium)	Soulevez les casseroles et les poêles lorsque vous les déplacez.

Cloques

Cause	Comment éviter
Sucre, aliment à haute teneur en sucre	Retirez immédiatement les éclaboussures de nourriture à l'aide d'un grattoir à verre.

3 Protection de l'environnement et économies

3.1 Mise au rebut de l'emballage

Les matériaux d'emballage sont écologiques et recyclables.

- ▶ Veuillez éliminer les pièces détachées après les avoir triées par matières.

3.2 Économiser de l'énergie

Si vous suivez ces conseils, votre appareil consomme moins d'énergie.

Choisissez des ustensiles de cuisine dont le diamètre de base correspond à la zone de cuisson. Centrez la casserole sur la zone de cuisson.

Conseil : Pour les poêles à frire, les fabricants d'ustensiles de cuisine indiquent généralement le diamètre supérieur de la batterie de cuisine. Le diamètre de la base de la casserole est généralement plus petit.

- ✓ L'énergie est destinée à la batterie de cuisine. Si vous utilisez des ustensiles de cuisine trop petits, vous gaspillez de l'énergie. Si la batterie de cuisine est trop grande, beaucoup d'énergie est utilisée pour chauffer la batterie de cuisine.

Fermez la casserole avec un couvercle approprié.

- ✓ Cuire sans couvercle consomme plus d'énergie.

Ne soulevez le couvercle que si nécessaire.

- ✓ Si vous soulevez le couvercle, beaucoup d'énergie peut s'échapper.

Utilisez un couvercle en verre.

- ✓ Si vous utilisez un couvercle en verre, vous pouvez regarder à l'intérieur de l'ustensile sans soulever le couvercle.

Utiliser des ustensiles de cuisson à base solide plate.

- ✓ Les bases incurvées des ustensiles de cuisine augmentent la consommation d'énergie.

Utilisez une taille d'ustensile qui correspond à la quantité d'aliments que vous souhaitez cuire.

- ✓ Les gros ustensiles de cuisine avec peu de contenu consomment beaucoup d'énergie.

Faites cuire avec un peu d'eau.

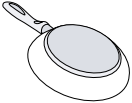

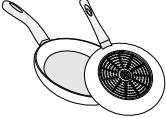
- ✓ Plus d'eau nécessite plus d'énergie pour la chauffer.

Sélectionnez un niveau de puissance inférieur dès que possible. Sélectionnez un niveau de puissance adapté pour poursuivre la cuisson.

- ✓ Pour une cuisson en cours, un niveau de puissance inférieur est suffisant.

4 Ustensiles adaptés

Les ustensiles adaptés à la cuisson par induction doivent être dotés d'une base ferromagnétique, c'est-à-dire, pouvoir être attirés par un aimant. Par ailleurs, leur base

Ustensile de cuisson	Matériaux	Propriétés
Ustensiles de cuisson recommandés	Batterie de cuisine en acier inoxydable au design en sandwich qui répartit bien la chaleur.	Cette batterie de cuisine répartit la chaleur uniformément, chauffe rapidement et garantit qu'elle peut être détectée.
	Batterie de cuisine ferromagnétique en acier émaillé, fonte ou batterie de cuisine spéciale induction en acier inoxydable.	Cette batterie de cuisine répartit la chaleur uniformément, chauffe rapidement et garantit qu'elle peut être détectée.
Convient	La base n'est pas entièrement ferromagnétique.	Si la zone ferromagnétique est plus petite que le fond de l'ustensile, seule la zone ferromagnétique s'échauffe. En conséquence, la chaleur n'est pas répartie uniformément.
 	Bases d'ustensiles de cuisine contenant de l'aluminium.	Ces bases de batterie de cuisine réduisent la zone ferromagnétique, ce qui signifie que moins de puissance est émise vers la batterie de cuisine. Cette batterie de cuisine peut ne pas être suffisamment détectée ou ne pas être détectée du tout, et donc ne chauffe pas suffisamment.
Ne convient pas	Ustensiles de cuisine en acier fin normal, verre, argile, cuivre ou aluminium.	

Remarques

- N'utilisez pas de plaques d'adaptation entre la table de cuisson et la batterie de cuisine.
- Ne faites pas chauffer d'ustensiles de cuisine vides et n'utilisez pas d'ustensiles de cuisine à fond fin, car cela peut devenir très chaud.

doit correspondre à la taille du foyer. Si un ustensile n'est pas détecté sur un foyer, placez-le sur le foyer de diamètre immédiatement inférieur.

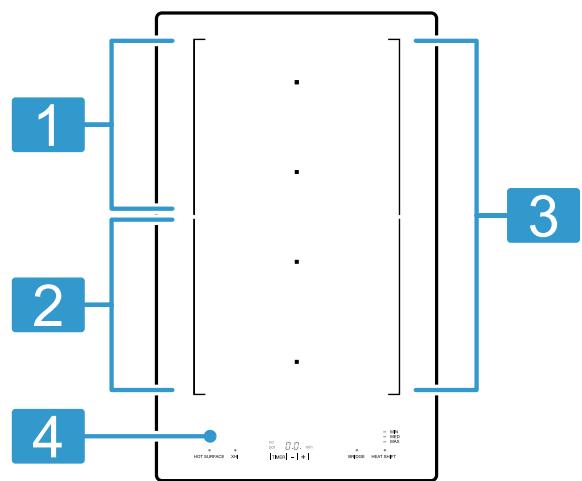
4.1 Dimensions et propriétés des ustensiles

Pour pouvoir détecter correctement la batterie de cuisine, vous devez tenir compte de la taille et du matériau de la batterie de cuisine. Tous les fonds de batterie de cuisine doivent être parfaitement plats et lisses.

5 Description de l'appareil

5.1 Zone d'induction

Votre table de cuisson est équipée d'une zone de cuisson à induction.



1 Zone de cuisson simple arrière

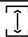
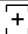
2 Zone de cuisson simple avant

- 3** En cas d'utilisation comme zone de cuisson combinée :
- Zone de pont Liberty®
 - Fonction HeatShift®

4 Panneau de commande

5.2 Boutons de commande


Vous pouvez ajuster les paramètres du module d'induction avec les deux boutons de commande sous le module d'induction.

Position	Réglage
OFF	Zone de cuisson désactivée
1 - 9	Niveaux de puissance
	Fonction HeatShift®
	Utilisez la zone de cuisson Liberty® comme zone pont
XHI	Fonction PowerBoost®

5.3 Touches tactiles et écrans

L'affichage à l'avant du module à induction indique les fonctions actives et vous permet de régler une minuterie de cuisine.

Les voyants lumineux au-dessus des mots imprimés indiquent les fonctions actives.

HOT SURFACE	Zone de cuisson et indicateur de chaleur résiduelle : S'allume lorsque la zone de cuisson est allumée et reste allumée tant que la zone de cuisson émet de la chaleur. NE touchez PAS les zones de cuisson tant que le voyant est allumé, même si la zone de cuisson est déjà éteinte.
XHI	Fonction PowerBoost®
TIMER I - I +	Réglage d'une minuterie de cuisine
BRIDGE	Fonction Liberty® Activez la zone de pont pour les ustensiles de cuisine plus grands
HEAT SHIFT	HeatShift® activé La barre d'indication de la zone actuellement active s'allume
MIN - MED - MAX	Niveaux de puissance prédéfinis pour HeatShift®
no pot	Aucun ustensile de cuisine détecté
	Minuterie et affichage des erreurs

6 Fonctionnement

Vous trouverez ici tout ce que vous devez savoir sur le fonctionnement de votre appareil.

6.1 Réglage du niveau de puissance

1. Appuyez sur le bouton de commande et tournez-le vers la gauche ou vers la droite jusqu'au niveau de puissance souhaité.

✓ Le voyant de la zone de cuisson s'allume.

2. Placez les ustensiles de cuisine sur la zone de cuisson dans les 30 secondes.

Remarques

- S'il n'y a pas d'ustensile sur la zone de cuisson ou si l'ustensile n'est pas adapté à la cuisson par induction, la zone de cuisson s'éteint automatiquement au bout de 30 secondes. Pour réactiver la zone de cuisson, tournez le bouton de commande sur OFF et réinitialiser le niveau de puissance.
- Si vous retirez la casserole pendant que la zone de cuisson est allumée, l'indicateur no pot clignote.

6.2 Éteindre le module d'induction

- ▶ Tournez les deux boutons de commande sur la position OFF.
- ✓ L'affichage de la chaleur résiduelle reste allumé jusqu'à ce que la zone de cuisson ait refroidi, même si le bouton est tourné OFF.

6.3 Paramètres de cuisson recommandés

Vous trouverez ici des recommandations sur la cuisson et un aperçu de différents plats avec des niveaux de chaleur appropriés.

- Brassez les liquides épais occasionnellement.
- Les aliments qui doivent être poêlés rapidement, ou les aliments qui perdent beaucoup de liquide au cours de la friture initiale, devraient normalement être poêlés en petites portions.
- Lorsque vous cuisinez avec un couvercle, baissez le niveau de chaleur dès que de la vapeur s'échappe entre le couvercle et la casserole.
- Gardez le couvercle sur l'ustensile après la cuisson jusqu'à ce que vous serviez les aliments.
- Lorsque vous cuisinez avec un autocuiseur, respectez les instructions du fabricant.
- Ne faites pas cuire les aliments trop longtemps ou dans trop d'eau. Sinon, les nutriments seront perdus. Vous pouvez utiliser la minuterie de cuisine pour régler le temps de cuisson optimal.
→ "minuterie de cuisine", Page 21
- Ne faites pas chauffer l'huile ou la graisse jusqu'à ce qu'elle fume. Vous obtiendrez des résultats de cuisson plus sains.
- Lorsque vous faites dorer les aliments, faites-les frire les uns après les autres.
- Les ustensiles de cuisine peuvent devenir très chauds pendant la cuisson. Nous recommandons l'utilisation de maniques.
→ "Économiser de l'énergie", Page 17

Tableaux de cuisson

Le tableau de cuisson indique le niveau de puissance adapté à chaque type d'aliment. Le temps de cuisson peut varier en fonction du type, du poids, de l'épaisseur et de la qualité des aliments.

MISE EN GARDE

Les ragoûts ou les liquides peuvent chauffer très rapidement pendant la cuisson et peuvent déborder ou éclabousser, par ex. soupes, sauces ou boissons.

- ▶ Remuez en permanence.
- ▶ Faites chauffer les aliments à un niveau de puissance approprié.

Fondre

Type d'aliment	Niveau de puissance
Chocolat	1 - 2
Brisures de chocolat	1 - 2
Beurre	1 - 2

Chauffer

Bouillon	3 - 4
Soupe épaisse	2 - 3
Lait ¹	1 - 2

¹ Cuisinez sans couvercle

Mijoter

Sauce délicate, p. ex. Sauce béchamel	1 - 2
Sauce à spaghetti	1 - 2
Bœuf braisé	4 - 5
Poisson ¹	4 - 5

¹ Cuisson continue sans couvercle

Cuisiner

Riz, avec le double de la quantité d'eau	1 - 2
Pommes de terre bouillies avec 1 à 2 tasses d'eau	6 - 8
Légumes frais avec 1 à 2 tasses d'eau	6 - 8
Légumes congelés avec 1 à 2 tasses d'eau	6 - 8
Pâtes avec 2 à 4 pintes d'eau ¹	8 - 9
Pouding ²	3 - 4
Céréales	3 - 4

¹ Cuisson continue sans couvercle
² Cuisinez sans couvercle

Frيره

Côtelette de porc ¹	8 - 9
Poitrine de poulet ¹	7 - 8
Bacon	8 - 9
Œufs	6 - 7
Poisson	8 - 9
Crêpes	6 - 7

¹ Retournez les aliments plusieurs fois.

Grande friture de gras

Frيره dans 1 à 2 pinte huile sans couvercle.

Produits alimentaires surgelés, p. ex., croquettes de poulet (0,5 lb par portion)	8 - 9
Autre, par ex. beignes (0,5 lb par portion)	5 - 6

6.4 Zone de cuisson Liberty®

La zone Liberty® vous permet d'utiliser des ustensiles de cuisine de différentes tailles et formes. Il se compose de 4 éléments à induction, qui sont contrôlés

indépendamment les uns des autres. Lorsque vous utilisez la fonction Liberty®, seule la zone couverte par les ustensiles de cuisine est activée.

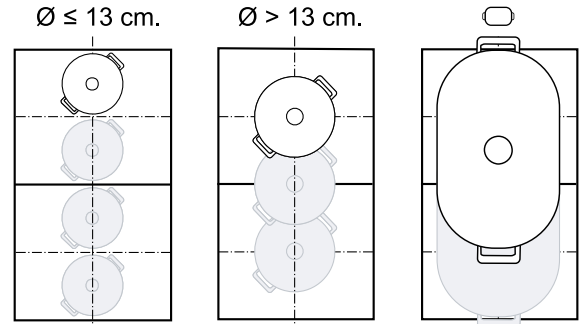
Positionnement de l'ustensile de cuisson

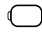
La zone de cuisson flexible peut être configurée de deux manières, selon la batterie de cuisine utilisée. Afin d'assurer une bonne détection thermique et une bonne répartition de la chaleur, nous vous recommandons de positionner la batterie de cuisine au centre, comme indiqué sur les images.

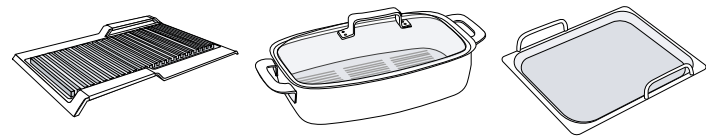
En tant que zone de cuisson connectée

Recommandé pour cuisiner avec un seul ustensile.

- Positionnez la batterie de cuisine en fonction de la taille :

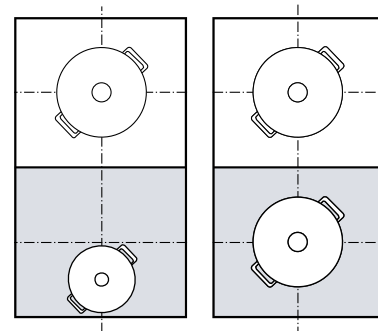



- Batterie de cuisine oblongue recommandée  :

**Comme deux zones de cuisson séparées**

Recommandé pour cuisiner avec deux ustensiles de cuisine.

Vous pouvez utiliser les zones avant et arrière indépendamment l'une de l'autre et définir un niveau de puissance distinct pour chaque zone.

**Activer la zone Liberty®**

- Placez les ustensiles de cuisine sur la zone de cuisson.
 - Tourner le bouton de commande droit de la zone d'induction sur .
- L'indicateur BRIDGE s'allume sur la zone de cuisson.

3. Réglez le niveau de puissance souhaité avec le bouton de commande gauche.
- ✓ L'appareil détecte la casserole et active la section couverte par la casserole.
4. Pour utiliser la zone Liberty® comme deux zones de cuisson individuelles, réglez un niveau de puissance avec les deux boutons de commande.

6.5 PowerBoost®

Avec cette fonction, vous pouvez chauffer de plus grandes quantités d'eau plus rapidement qu'avec le niveau de puissance 9. Cette fonction augmente temporairement la puissance supérieure de la zone de cuisson sélectionnée. Vous pouvez également utiliser cette fonction sur la zone de cuisson flexible si elle est utilisée comme zone de cuisson jointe.

Restrictions d'utilisation de PowerBoost®

- Les deux zones de cuisson sont dotées de la fonctionnalité PowerBoost®.
- Cette fonction ne peut être utilisée que sur un seul segment de zone de cuisson à la fois. L'illustration montre ces segments de votre table de cuisson.



Si la fonction est active sur un segment de zone de cuisson et que vous réglez un niveau de puissance sur l'autre segment de zone de cuisson, la fonction sera désactivée. La zone de cuisson est automatiquement réglée sur le niveau de puissance 9.

Activation de PowerBoost®

- ▶ Tournez le bouton de commande de la zone de cuisson souhaitée sur **XHI**.

Désactivation de PowerBoost®

Si vous ne désactivez pas la fonction PowerBoost®, elle s'éteint automatiquement au bout de 10 minutes. La zone de cuisson continue de fonctionner avec le niveau de puissance 9.

- ▶ Tournez le bouton de commande de la zone de cuisson souhaitée sur n'importe quel autre niveau de puissance.

Remarque : La fonction ne s'active pas automatiquement lorsqu'elle redevient disponible. Pour l'allumer manuellement, réglez le bouton de commande sur n'importe quel autre niveau de chaleur, puis sur **XHI** de nouveau.

6.6 Fonction HeatShift®

Vous pouvez modifier le niveau de puissance d'un ustensile de cuisine en le déplaçant sur une position différente sur la zone de cuisson flexible. La zone de cuisson flexible est divisée en 3 zones de cuisson avec différents niveaux de puissance.

Activer la fonction Déplacer

Activation de HeatShift®

- ▶ Tournez le bouton de commande gauche de la zone d'induction sur **I**.
- ✓ L'indicateur HEAT SHIFT s'allume sur la zone de cuisson.

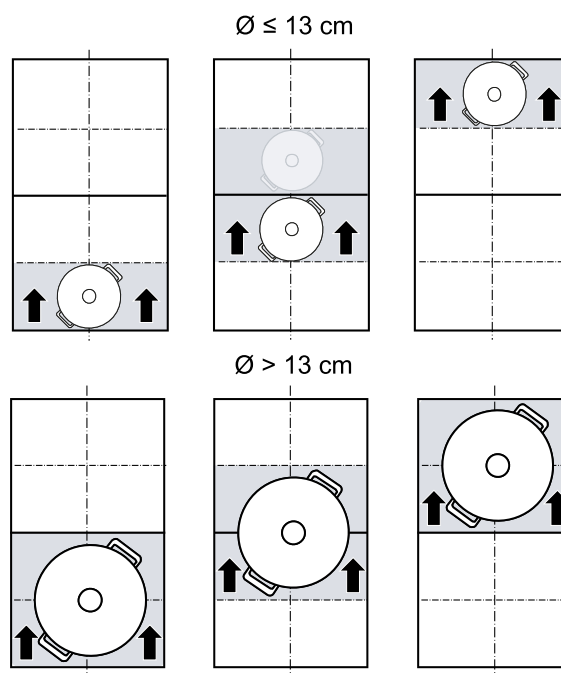
Positionner et déplacer la batterie de cuisine

N'utilisez qu'un seul ustensile de cuisson. La zone de cuisson dépend de la taille et de la position de l'ustensile de cuisson.

Chaque zone de cuisson a un niveau de puissance prédéfini :

- Zone avant = niveau de puissance 9
- Zone centrale = niveau de puissance 5
- Zone arrière = niveau de puissance 1

Vous pouvez modifier les niveaux de puissance dans les paramètres de base.



Désactivation de HeatShift®

- ▶ Tournez le bouton de commande droit à un niveau de puissance différent.

6.7 minuterie de cuisine

Vous pouvez utiliser la minuterie de cuisine pour régler une durée allant jusqu'à 99 minutes.

La minuterie de cuisine est indépendante des autres réglages et ne désactive pas une zone de cuisson.

Réglage du minuterie de cuisine

⚠ AVERTISSEMENT

Les débordements peuvent provoquer de la fumée et certains aliments et huiles peuvent prendre feu s'ils sont laissés sur des réglages de température élevée.

- ▶ Lorsque vous utilisez une minuterie, surveillez toujours la table de cuisson.
- ▶ Ne laissez rien bouillir ou brûler.

1. Appuyez sur **TIMER**.


- ✓  s'allument sur l'affichage de la minuterie.

2. Réglez la durée souhaitée avec + ou – dans les 10 secondes.

Remarques

- Si vous ne faites aucun réglage, la minuterie s'éteint automatiquement.
- Appuyez et maintenez enfoncer + ou – pour augmenter ou diminuer plus rapidement la durée réglée.

3. Appuyer sur **TIMER** pour confirmer.


- ✓ Un bip retentit et la minuterie commence à décompter.
- ✓ Si vous n'appuyez pas la minuterie **TIMER** le compte à rebours commence automatiquement au bout de 10 secondes.
- ✓ Une fois le temps écoulé, un bip retentit.  clignote sur l'affichage de la minuterie.

4. Appuyez sur **TIMER** ou actionnez un bouton de commande pour désactiver les signaux. Au bout de 3 minutes, les signaux s'arrêtent automatiquement.

Changer ou annuler la minuterie de cuisine

1. Appuyez sur **TIMER**.

2. Réglez la durée avec + ou –.

Pour annuler la minuterie de cuisine, réglez l'heure sur .

7 Nettoyage et entretien

Pour que votre appareil reste longtemps opérationnel, nettoyez-le et entretenez-le avec soin.

7.1 Produits de nettoyage

Vous pouvez acheter des nettoyeurs et des grattoirs à verre appropriés auprès du service à la clientèle ou dans notre boutique en ligne www.thermador.com/us/accessories.

Produits de nettoyage recommandés

- Nettoyeur pour table de cuisson vitrocéramique
- BonAmi®¹
- Soft Scrub®¹ (sans javellisant)
- Vinaigre blanc

Produits de nettoyage inappropriés

- Les produits de nettoyage pour les vitres qui contiennent de l'ammoniaque ou un agent de blanchiment au chlore. Ces nettoyeurs peuvent endommager ou tacher de façon permanente la table de cuisson.

- Les produits de nettoyage caustiques, tel Easy Off®¹. Ces nettoyeurs peuvent tacher la surface de cuisson.
- Produits de nettoyage abrasifs.
- Les tampons métalliques, les tampons à récurer, tel Scotch Brite®¹. Ces nettoyeurs peuvent rayer la surface de cuisson et / ou laisser des marques métalliques.
- La tampons à récurer savonneux, tel SOS®¹. Ces nettoyeurs peuvent rayer la surface de cuisson.
- Les produits de nettoyage en poudre contenant un agent de blanchiment au chlore. Ces nettoyeurs peuvent tacher de façon permanente la surface de cuisson.
- Les produits de nettoyage inflammables, tels que de l'essence à briquet ou WD 40.

7.2 Nettoyage de la table de cuisson vitrocéramique

⚠ AVERTISSEMENT

Nettoyez la table de cuisson avec prudence.

- ▶ Si une éponge ou un chiffon humide est utilisé pour essuyer les déversements sur une zone de cuisson chaude, veillez à ne pas brûler à la vapeur.
- ▶ Certains nettoyeurs dégagent des fumées nocives lorsqu'ils sont appliqués sur une surface chaude.
- ▶ Ne pas nettoyer l'appareil pendant qu'il est encore chaud.

⚠ MISE EN GARDE

N'utilisez aucun type de nettoyeur sur la vitre lorsque la surface est chaude; utilisez uniquement le grattoir à verre. Les émanations qui s'en dégagent peuvent être dangereuses pour la santé. Chauffer le produit nettoyeur peut chimiquement attaquer et endommager la surface.

Exigence

- La table de cuisson a refroidi.
 - Exception : Retirer immédiatement le sucre sec, le sirop de sucre, le lait et les produits à base de tomate.
→ "Recommandations en matière de nettoyage", Page 23
1. Essuyez les éclaboussures avec une éponge propre et humide ou une serviette en papier.
 2. Rincez et séchez.
 3. Si une tache persiste, utilisez du vinaigre blanc.
 4. Rincer et sécher à nouveau.
 5. Appliquez une petite quantité de nettoyeur pour table de cuisson avec une serviette en papier ou un chiffon propre et laissez sécher.
 6. Polissez la surface avec une serviette en papier ou un chiffon propre.

¹ Ces marques sont des marques déposées de leurs propriétaires respectifs. Toutes les autres marques sont des marques de BSH Home Appliances Corporation ou ses sociétés affiliées.

7.3 Recommandations en matière de nettoyage

Suivez ces instructions de nettoyage pour éliminer les salissures courantes.

⚠ AVERTISSEMENT

La lame du grattoir à verre est extrêmement tranchante. Vous pouvez vous couper.

- ▶ Remplacez la lame immédiatement, lorsque vous voyez des imperfections.
- ▶ Suivre les instructions du fabricant.

AVIS :

Les bagues en diamant peuvent rayer la surface de cuisson en céramique.

- ▶ Retirez tous les bagues avant de nettoyer la surface de cuisson en céramique.

Type de tache	Recommandations
<ul style="list-style-type: none"> ■ Sucre sec ■ Sirop de sucre ■ Lait ■ Taches de tomates ■ Feuille ou pellicule de plastique fondu 	<p>RETIREZ IMMÉDIATEMENT. Le fait de ne pas éliminer ces substances immédiatement peut endommager définitivement la surface de cuisson en céramique. Retirez la saleté avec le grattoir à verre pendant que la surface de cuisson est encore chaude. Utilisez un nouveau rasoir tranchant dans le grattoir à verre.</p> <ul style="list-style-type: none"> ■ Retirez la batterie de cuisine et éteignez la zone de cuisson. ■ Mettez un gant de cuisine. ■ Tenez le grattoir à verre à un angle de 30° et grattez le saleté. Veillez à ne pas entailler ou rayer la surface en vitrocéramique. ■ Retirer la tache de la zone chauffée. ■ Laissez refroidir la surface. ■ Retirez les résidus et appliquez un nettoyant pour table de cuisson en vitrocéramique.
<ul style="list-style-type: none"> ■ Tache alimentaire brûlé ■ Stries sombres ■ Taches sombres 	<ul style="list-style-type: none"> ■ Posez une serviette en papier humide ou une éponge sur le sol pendant 30 minutes pour ramollir la tache. ■ Enlevez la saleté avec un épurateur en plastique et un nettoyant pour table de cuisson en vitrocéramique ou avec le grattoir à verre. ■ Rincez la surface de cuisson et séchez-la.

¹ Ces marques sont des marques déposées de leurs propriétaires respectifs. Toutes les autres marques sont des marques de BSH Home Appliances Corporation ou ses sociétés affiliées.

Type de tache	Recommandations
Éclaboussures graisseuses	<ul style="list-style-type: none"> ■ Retirez la graisse avec une éponge ou un chiffon savonneux. ■ Rincez soigneusement la surface de cuisson et séchez-la. ■ Appliquer le produit de nettoyage pour table de cuisson en vitrocéramique.
Traces métalliques : tache iridescente	<p>Les casseroles dont la base est en aluminium, en cuivre ou en acier inoxydable peuvent laisser des traces. Traitez les marques de métal immédiatement après le refroidissement de la surface de cuisson. Le non-respect de cette consigne rend le retrait très difficile.</p> <ul style="list-style-type: none"> ■ Nettoyez la surface de cuisson avec un nettoyant pour table de cuisson vitrocéramique. ■ Si cela ne supprime pas les marques, nettoyez la surface de cuisson avec une serviette en papier humide et un abrasif doux (Bon Ami®¹, Soft Scrub®¹ sans javellisant). ■ Rincer la surface de cuisson et appliquer un nettoyant pour vitrocéramique.
Taches d'eau calcaire	<p>Des liquides de cuisson chauds peuvent s'égoutter ou se renverser sur la surface de cuisson. Les minéraux de certaines eaux peuvent être transférés sur la surface de la table de cuisson et provoquer des taches. Éliminer les débordements et les taches avant de réutiliser la table de cuisson.</p> <ul style="list-style-type: none"> ■ Nettoyez la surface de cuisson avec du vinaigre blanc non dilué. ■ Rincez la surface de cuisson et séchez-la. ■ Appliquez le produit de nettoyage pour table de cuisson en vitrocéramique.
Rayures sur la surface	<p>Les petites rayures sont courantes et n'affectent pas la cuisson. Elles deviennent plus lisses et moins visibles avec l'usage quotidien du produit de nettoyage pour table de cuisson en vitrocéramique.</p> <ul style="list-style-type: none"> ■ Appliquez un nettoyant pour table de cuisson vitrocéramique avant la cuisson. pour éliminer les

¹ Ces marques sont des marques déposées de leurs propriétaires respectifs. Toutes les autres marques sont des marques de BSH Home Appliances Corporation ou ses sociétés affiliées.

Type de tache	Recommandations
	<p>grains de sable et les gravillons tels que le sel et les assaisonnements.</p> <ul style="list-style-type: none">■ Il est possible de réduire les rayures en utilisant des casseroles dont la base est lisse, propre et sèche avant de les utiliser. Utiliser tous les jours le produit de nettoyage pour table de cuisson en vitrocéramique.
<p>¹ Ces marques sont des marques déposées de leurs propriétaires respectifs. Toutes les autres marques sont des marques de BSH Home Appliances Corporation ou ses sociétés affiliées.</p>	

7.4 Entretien

Cet appareil ne nécessite aucun entretien autre que le nettoyage quotidien.

Pour de meilleurs résultats, appliquez quotidiennement de la crème nettoyante pour table de cuisson.

8 Dépannage

Vous pouvez éliminer vous-même les défauts mineurs de votre appareil. Veuillez lire les informations de dépannage avant de contacter le service à la clientèle. Cela peut éviter des frais de visite inutiles.

AVERTISSEMENT

Des réparations mal exécutées sont dangereuses.

- ▶ Seuls les prestataires de services agréés doivent réparer l'appareil.

- ▶ Afin d'écartier tout danger, quand le cordon d'alimentation de cet appareil est endommagé, seul le fabricant, son service à la clientèle ou toute autre personne de qualification équivalente est habilité à le faire.
- ▶ Seules des pièces de rechange d'origine peuvent être utilisées pour réparer l'appareil.
- ▶ Si l'appareil a un problème, appelez le service client.

Défaut	Cause et dépannage
Le module d'induction ne fonctionne pas	<p>La source d'alimentation électrique a été coupée.</p> <ul style="list-style-type: none"> ▶ Vérifiez si les lumières et les autres appareils dans la pièce fonctionnent. <p>L'électroménager n'a pas été connecté correctement selon le schéma de raccordement.</p> <ol style="list-style-type: none"> 1. Débranchez l'appareil de l'alimentation électrique. 2. Vérifiez que l'électroménager a été branché tel qu'indiqué dans le schéma de connection. <p>Il y a un défaut électronique</p> <ul style="list-style-type: none"> ▶ Si le défaut ne peut être éliminé, appelez le service à la clientèle.
L'indicateur d'absence de pot clignote et s'éteint	<p>La zone de cuisson est incapable de détecter les ustensiles de cuisine.</p> <ol style="list-style-type: none"> 1. Placez les ustensiles de cuisson sur la zone de cuisson dans les 30 secondes après avoir réglé un niveau de puissance. 2. Si des ustensiles de cuisine sont présents sur la zone de cuisson, vérifiez si les ustensiles de cuisine sont adaptés à la cuisson à induction.
La zone de cuisson s'est éteinte, le voyant clignote.	<p>Le bouton de commande n'a pas bougé depuis longtemps. Le verrou de sécurité a été activé.</p> <ul style="list-style-type: none"> ▶ Tournez le bouton de commande sur OFF puis redéfinissez un niveau de puissance.
Toutes les zones de cuisson se sont éteintes automatiquement.	<p>Après une panne de courant, le module d'induction reste éteint pendant plus de 25 secondes pour des raisons de sécurité.</p> <ul style="list-style-type: none"> ▶ Tournez le bouton de commande sur OFF puis redéfinissez un niveau de puissance.
$E_r/d/E$ et des chiffres	<p>Il y a un défaut électronique</p> <ol style="list-style-type: none"> 1. Débranchez l'appareil de l'alimentation électrique. 2. Attendez quelques secondes et rebranchez l'appareil à l'alimentation électrique. 3. Si le message persiste, appelez le service client.
$F B + H / h$ et les zones de cuisson ne chauffent pas	<p>La zone de cuisson a fonctionné en continu pendant une période prolongée sans interaction. La limitation automatique du temps a été déclenchée.</p> <ul style="list-style-type: none"> ▶ Touchez n'importe quel élément de contrôle. ✓ Vous pouvez régler la zone de cuisson et continuer la cuisson.
$F 2$	<p>L'électronique a surchauffé. Le module d'induction s'est éteint.</p> <ol style="list-style-type: none"> 1. Attendez que le système électronique se soit suffisamment refroidi. 2. Touchez n'importe quel élément de contrôle. <ul style="list-style-type: none"> ✓ Lorsque le message d'erreur disparaît, l'électronique a suffisamment refroidi. Vous pouvez continuer de cuisiner.
$F 5$ et la position de chauffe clignotent en alternance. Un signal sonore retentit.	<p>Il y a un ustensile de cuisson chaud près du panneau de commande. L'électronique risque de surchauffer.</p> <ul style="list-style-type: none"> ▶ Retirez l'ustensile du panneau de commande. ✓ Vous pouvez continuer de cuisiner.
$F 5$ et signal sonore	<p>Il y a un ustensile de cuisson chaud près du panneau de commande. La zone de cuisson s'est éteinte pour protéger l'électronique.</p> <ol style="list-style-type: none"> 1. Retirez l'ustensile du panneau de commande. 2. Attendez quelques secondes. 3. Touchez n'importe quel élément de contrôle. <ul style="list-style-type: none"> ✓ Lorsque le message d'erreur disparaît, l'électronique a suffisamment refroidi. Vous pouvez continuer de cuisiner.

Défaut	Cause et dépannage
F 1 / F6	La zone de cuisson a surchauffé. Il s'est éteint pour protéger la surface de travail. 1. Attendez que le système électronique se soit suffisamment refroidi. 2. Remettez la zone de cuisson en marche. ✓ Vous pouvez continuer de cuisiner.
E06 / 2	Les boutons de commande ne sont pas connectés au module d'induction. ▶ Appelez avec le service à la clientèle.
F0 / F9	Il y a un défaut électronique 1. Débranchez l'appareil de l'alimentation électrique. 2. Attendez quelques secondes et rebranchez l'appareil à l'alimentation électrique. 3. Si le message persiste, appelez le service client.
F 4	Il y a un ustensile de cuisson chaud près du panneau de commande. La zone de cuisson s'est éteinte pour protéger l'électronique. 1. Retirez la casserole de la zone de cuisson. 2. Tournez tous les boutons de commande sur OFF (ARRÊT). 3. Le message d'erreur s'éteint une fois que la surface s'est suffisamment refroidie. Réglez un nouveau niveau de puissance si vous le souhaitez. 4. Si le dysfonctionnement persiste, appelez le service à la clientèle.
U 1	La tension d'alimentation est incorrecte. Elle est en dehors de la plage de fonctionnement normale. ▶ Contactez votre distributeur d'électricité.
U2 / U3	La zone de cuisson a surchauffé. Il s'est éteint pour protéger la surface de travail. 1. Retirez la casserole de la zone de cuisson. 2. Tournez tous les boutons de commande sur OFF (ARRÊT). 3. Le message d'erreur s'éteint une fois que la surface s'est suffisamment refroidie. Réglez un nouveau niveau de puissance si vous le souhaitez. 4. Si le dysfonctionnement persiste, appelez le service à la clientèle.

8.1 Bruits de fonctionnement normaux

Les bruits suivants sont normaux et ne constituent pas un dysfonctionnement ou un problème.

Type de bruit	Cause
Un faible bourdonnement, comme un transformateur	Cuisson à haut niveau de puissance. Il est basé sur la quantité d'énergie transférée de la surface de cuisson à la batterie de cuisine. Le bruit cesse ou s'atténue lorsque vous réduisez le niveau de puissance.
Bruit de sifflement	La batterie de cuisine est vide. Il cesse une fois que vous placez de l'eau ou des aliments dans la batterie de cuisine.
Bruits de craquement	Les ustensiles de cuisine sont composés de divers matériaux superposés les uns sur les autres. Elle est causée par les vibrations des surfaces où différents matériaux se rencontrent. Le bruit se produit sur la batterie de cuisine et peut varier en fonction de la quantité et de la méthode de préparation des aliments.
Sifflement fort	Les ustensiles de cuisine sont composés de différents matériaux superposés et le niveau de puissance maximum est utilisé sur les deux zones de cuisson. Le bruit cesse ou s'atténue lorsque le niveau de chaleur est réduit.

9 Élimination

9.1 Éliminer un appareil usagé

L'élimination dans le respect de l'environnement permet de récupérer de précieuses matières premières.

- ▶ Éliminez l'appareil dans le respect de l'environnement.

Pour connaître les circuits d'élimination actuels, veuillez vous adresser à votre revendeur ou à votre administration municipale.

10 Service à la clientèle

Lors de toute réparation réalisée dans le cadre de la garantie, nous nous assurons que votre appareil est réparé avec des pièces de rechange d'origine par un technicien dûment formé et agréé. Nous utilisons exclusivement des pièces de rechange d'origine lors des réparations.

Pour plus d'informations sur la durée et les conditions de la garantie dans votre pays, consultez nos modalités de garantie auprès de votre détaillant ou sur notre site Web. Si vous contactez le service à la clientèle, indiquez le numéro de modèle (E-Nr.) et le numéro de fabrication (FD) de l'appareil.

USA:

1-800-735-4328

www.thermador.com/support

www.thermador.com/us/accessories

CA:

1-800-735-4328
www.thermador.ca
www.thermador.ca/fr/soutien/filtres-nettoyants-accessoires



1901 MAIN STREET, SUITE 600 IRVINE, CA 92614 USA // 1-800-735-4328 // WWW.THERMADOR.COM
© 2023 BSH HOME APPLIANCES CORPORATION
8001275565 // en-us, fr-ca // 030214