

# INSTALLATION INSTRUCTIONS

For Model 73106-143C-L

READ AND SAVE THESE INSTRUCTIONS

**WARNING! SHUT POWER OFF AT FUSE OR CIRCUIT BREAKER.**

**AVERTISSEMENT! COUPER LE COURANT AU NIVEAU DES FUSIBLES OU DU DISJONCTEUR.**

## HANGING THE FIXTURE (Fig. 1)

1. Shut off the power at the circuit breaker and remove the old fixture including the mounting hardware.
2. Carefully unpack your new fixture and lay out all the parts on a clear area. Take care not to lose any small parts necessary for installation.

## CONNECTING THE WIRES (Fig. 2)

3. While supporting the fixture, connect the electrical wires as shown in Fig. 2, making sure that all wire connectors (J) are secured. If your post has a ground wire (green or bare copper), connect the fixture ground wire to it. If not, consult your electrician for proper grounding. After wires are connected, tuck them carefully inside the post cup (I).
4. Secure the post (H) to post cup (I) with the screws (M)
5. Bulb information: (1 x AC LED 13W included.)

**DO NOT EXCEED THE MAXIMUM WATTAGE RATING! (NE PAS DEPASSER LA PUISSANCE NOMINALE MAXIMALE!)**

## COMPLETING THE INSTALLATION (Fig. 1)

6. Remove the fixture frame (A) from the fixture body (E) by unscrewing the nuts(G), then attach the small glass (C) and large glass (F) into the fixture frame (A) with clips (B).
7. Place the small round glass (D) over the LED module.
8. Re-attach fixture frame (A) to the fixture body (E) with nuts (F).

## Replacing LED module (Fig. 3)

The LED module can be replaced by a qualified electrician and shut off the power at the circuit breaker and remove fixture from the post without cutting of wire and without damage to any decorative element to which the fixture is attached. See installation steps for more details (Fig 3.)

- a. Carefully disconnect the wire connectors (J). Remove the LED module (K) from the nipple (L).
- b. Carefully re-lamp the LED module (K), reverse steps a for installing the new LED module (K). Note: The LED module should be provided by a specified supplier.

**Your installation is now complete. Return power to the junction box and test the fixture**

Fig.1

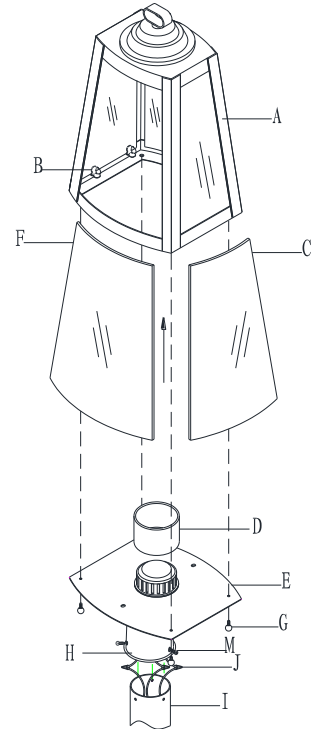


Fig. 2

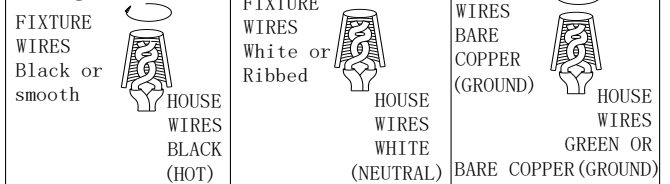
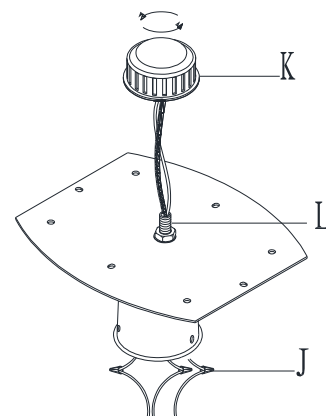


Fig.3



LED module # L-MD-C2403-13W