

# INSTALLATION INSTRUCTIONS

For Model 72422-212 (Rev. 06/19/2013)

READ AND SAVE THESE INSTRUCTIONS

**WARNING! SHUT POWER OFF AT FUSE OR CIRCUIT BREAKER.**

**AVERTISSEMENT! COUPER LE COURANT AU NIVEAU DES FUSIBLES OU DU DISJONCTEUR.**

## PREPARING FOR INSTALLATION (Fig. 1)

1. Shut off the power at the circuit breaker and remove the old fixture, including the mounting hardware.
2. Carefully remove the fixture from the carton and check that all parts are included as shown in the illustration.
3. Attach the circular strap (A) to the outlet box using the mounting screws (B) (Size: #8-32N\*L0.5"). The side of the circular strap (A) marked "GND" must face out.
4. Install 2 studs (C) into the circular strap (A), spaced the same distance apart as the holes in backplate (D).

## CONNECTING THE WIRES (Fig. 2)

5. At this point, connect the electrical wires as shown in figure 2, making sure that all wire connectors are secured. If your outlet has a ground wire (green or bare copper), connect the ground wire from the fixture to it. Otherwise, connect the ground wire from the fixture directly to the circular strap and secure with the green screw provided. After wires are connected, tuck them carefully into the outlet box.

## COMPLETING THE INSTALLATION (Fig. 1)

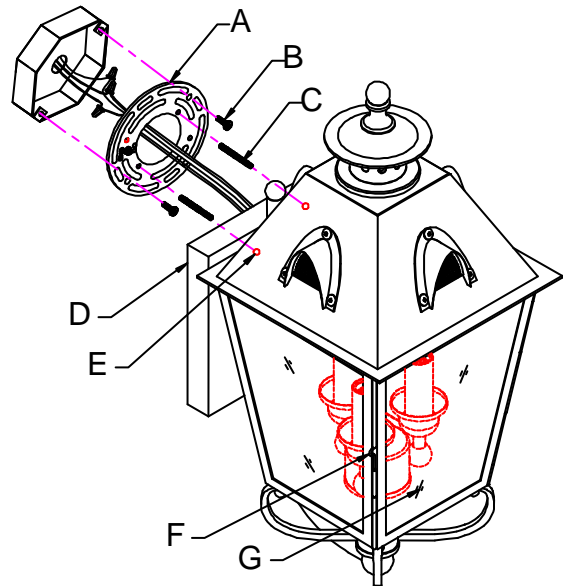
6. Align the backplate (D) over studs (C) and secure with cap nuts (E).
7. To prevent moisture from entering the outlet box and causing a shortage, use clear caulking (i.e. Indoor/Outdoor silicone sealant) to outline the outside of fixture backplate where it meets the wall leaving a space at the bottom to allow moisture a means to escape (Fig.3).
8. Pull up the latch (F) and open the door.
9. Install 3\*60W B10.5 bulb(s) (not included) in accordance with the fixture's specification. **(DO NOT EXCEED THE MAXIMUM WATTAGE RATING!) (NE PAS DEPASSER LA PUISSANCE NOMINALE MAXIMALE!).**
10. When replacing the glass (G), pull up the latch (F) and open the door. Loosen the clips and remove glass (G). After replacing the glass, re-tighten the glass clips, and then close the door.
11. For installing or replacing bulbs at a later date, pull up the latch (F) and open the door. (Fig.1)

Your installation is now complete. Return power to the junction box and test the fixture.

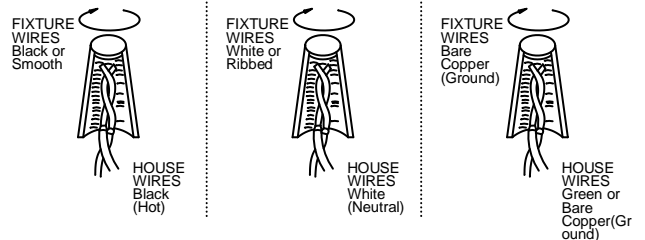
**Note: Illustration (Fig. 1) on this manual is for installation purposes only. It may or may not be identical to the fixture purchased.**

**Fig.1**

Set# A-020  
- Circular strap  
- Ground screw  
- Mounting Screw\*2



**Fig.2**



**Fig.3**

