

# INSTALLATION INSTRUCTIONS

For Model 72420-212 (Rev. 06/19/2013)

## READ AND SAVE THESE INSTRUCTIONS

**WARNING! SHUT POWER OFF AT FUSE OR CIRCUIT BREAKER.**

**AVERTISSEMENT! COUPER LE COURANT AU NIVEAU DES FUSIBLES OU DU DISJONCTEUR.**

### PREPARING FOR INSTALLATION (Fig.1)

1. Shut off the power at the circuit breaker and remove the old fixture and mounting hardware.
2. Carefully unpack your new fixture and lay out all the parts on a clear area. Take care not to lose any small parts necessary for installation.
3. Attach the crossbar (A) to the outlet box with mounting screws (B) (Size: #8-32N\*L0.5"). The side of the crossbar marked "GND" must face out.
4. Thread the nipple (C) part way into the center hole of the crossbar (A). Note: The length of nipple (C) into crossbar (A) may be adjusted if necessary.

### CONNECTING THE WIRES (Fig. 2)

5. Connect the electrical wires as shown in Fig. 2, making sure that all wire connectors are secured. If your outlet box has a ground wire (green or bare copper), connect the fixture's ground wire to it. Otherwise, connect the fixture's ground wire directly to the crossbar using the green screw provided. After the wires are connected carefully tuck them inside the outlet box.

### COMPLETING THE INSTALLATION (Fig.1)

6. Pull up the latch (E) and open the door.
7. Align the fixture body (G) to nipple (C) and secure with knurled knob (D).
8. To prevent moisture from entering the outlet box and causing a short, use clear caulking (i.e. Indoor/Outdoor Silicone Sealant) to outline the outside of fixture back-plate where it meets the wall leaving a space at bottom to allow moisture a means to escape (Fig.3).
9. Install 2\*60W B10.5 bulb(s) (not included) in accordance with the fixture's specifications. **(DON'T EXCEED THE MAXIMUM WATTAGE RATING!!) (NE PAS DEPASSER LA PUISSANCE NOMINALE MAXIMALE!)**
10. When replacing the glass (F), pull up the latch (E) and open the door. Loosen the clips and remove glass (F). After replacing the glass, re-tighten the glass clips, and then close the door.
11. For installing or replacing bulbs at a later date, pull up the latch (E) and open the door. (Fig.1)

Your installation is now complete. Return the power to the junction box and test the fixture.

**Note: Illustration (Fig. 1) on this manual is for installation purposes only. It may or may not be identical to the fixture purchased.**

Fig. 1

Set# A-016

- Crossbar
- Ground Screw
- Mounting Screw\*2

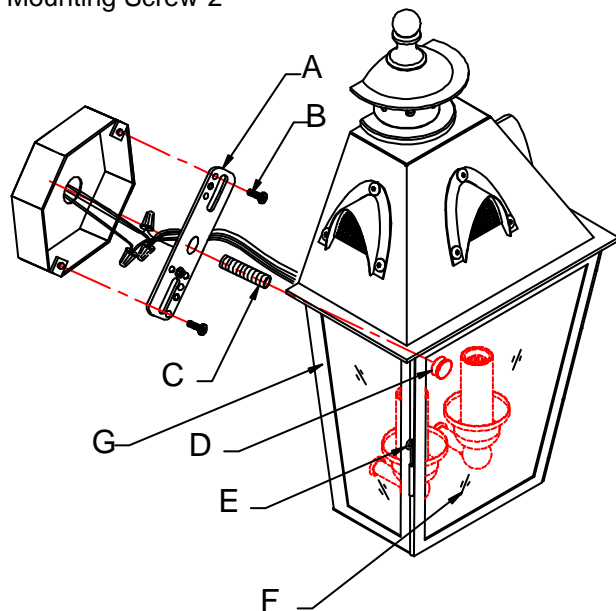


Fig. 2

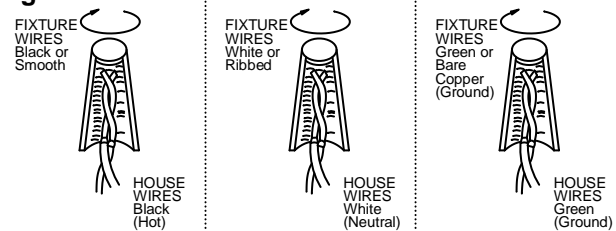
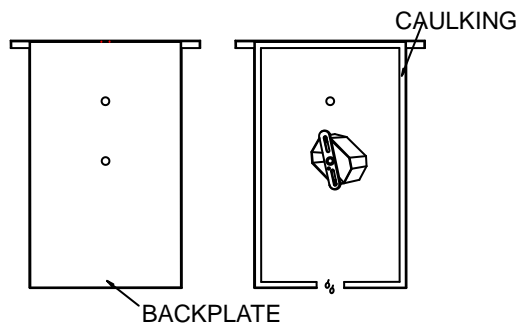


Fig. 3



MIN 90°C SUPPLY CONDUCTORS



LA-2324E