

INSTALLATION INSTRUCTIONS

For Model 72396

WARNING! SHUT POWER OFF AT FUSE OR CIRCUIT BREAKER.

AVERTISSEMENT! COUPER LE COURANT AU NIVEAU DES FUSIBLES OU DU DISJONCTEUR.

HANGING THE FIXTURE (Fig. 1)

1. Shut off the power at the circuit breaker and remove the old fixture including the mounting hardware.
2. Carefully unpack your new fixture and lay out all the parts on a clear area. Take care not to lose any small parts necessary for installation.

CONNECTING THE WIRES (Fig.2)

3. While supporting the fixture, connect the electrical wires as shown in figure 2. If your post has a ground wire (green or bare copper), connect the fixture ground wire to it. If not, consult your electrician for proper grounding. After the wires are connected, tuck them carefully inside the post (A).

COMPLETING THE INSTALLATION (Fig. 1)

4. Place the fixture (B) onto post (A), and secure with the 3 mounting screws (C)

5. Bulb (G) information: (1 x AC LED 10W included.)

**DO NOT EXCEED THE MAXIMUM WATTAGE RATING!
(NE PAS DEPASSER LA PUISSANCE NOMINALE MAXIMALE!)**

Replacing LED module (Fig. 3)

The LED module can be replaced by a qualified electrician without cutting of wire and without damage to any decorative element to which the fixture is attached. See installation steps for more details (Fig 4.)

- a. **Take off the fixture roof (D) by loosening two screws (E) (Fig.1),** then remove aluminum (O) by loosening screws (K).
- b. Remove wire nuts (L) hex-nuts (N) washers (M) and carefully remove LED module (Q) for re-lamping. Note: The LED module should be provided by specified supplier. For better heat dissipation the LED module (Q) should be installed with the heat transfer material (P) when re-lamping

Your installation is now complete. Return power to the junction box and test the fixture

Fig. 1

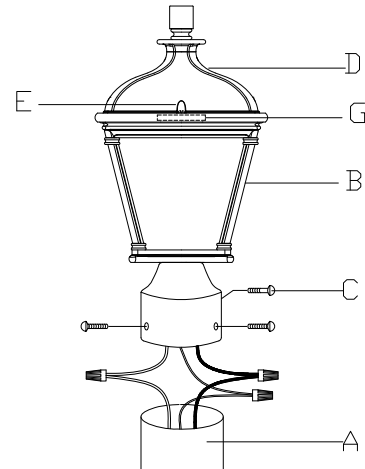


Fig. 2

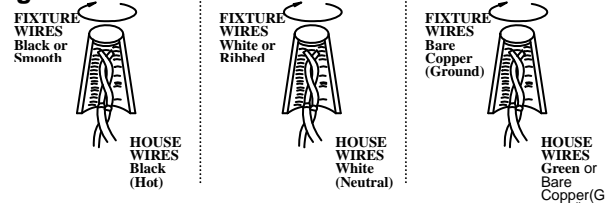


Fig. 3

