

# INSTALLATION INSTRUCTIONS

For 8882-A39-PL (Rev. 07/15/2011)

U.S. Patents; D461,593;D465,604

READ AND SAVE THESE INSTRUCTIONS

**WARNING! SHUT POWER OFF AT FUSE OR CIRCUIT BREAKER.**

## PREPARATION (Fig. 1)

1. Shut off power at the circuit breaker and remove the old fixture including mounting hardware.
2. Carefully unpack your new fixture and lay out all the parts on a clear area. Take care not to lose any small parts necessary for installation.
3. Remove finial (H) from the fixture. Secure the scrolled end of arm (F) to the top of the fixture with finial (E). Next, secure the straight end of arm (F) to the back plate (P) using knurled knobs (G) (with allthread nipple attached) key washers (I) and hex nuts (J).
4. Replace finial (H), previously removed.
5. Mount the reinforcement plate (K) to the junction box with screws (M) For additional stability on large fixtures, use the 4 screws and plastic anchors (L & N) provided. The side of the plate marked "GND" must face out. (Fig. 1)

## CONNECTING THE WIRES (Fig. 2)

6. Connect the electrical wire as shown in figure 2, making sure that all wire connectors are secured. If your outlet has a ground wire (green or bare copper), connect the fixture ground wire to it. Otherwise, connect the fixture ground wire directly to the reinforcement plate using the green screw provided. After wires are connected, tuck them carefully inside the outlet box.

## COMPLETING THE INSTALLATION

7. Align the fixture to the mounting screws on the reinforcement plate (K) and secure fixture with knurled knobs (O). (Fig.1)
  8. To prevent moisture from entering the outlet box and causing a short, use clear caulking (i.e. Indoor/Outdoor Silicone Sealant) to outline the outside of fixture back plate where it meets the wall leaving a space at bottom to allow moisture a means to escape. (Fig. 3)
  9. Remove the bottom finial (A), lock washer (B), tube (R), and metal leaf (S). Remove bottom cover (C). Remove any plastic bag material from the socket cluster. Install the CFL bulb (Q) (1X26W included) in accordance with the fixture's specification. **(DO NOT EXCEED THE SPECIFIED WATTAGE!)** Replace the bottom cover (C) and secure with the metal leaf (S) tube (R), lock washer (B) and finial (A).
  10. The ballast in each of these models can be replaced by a qualified electrician without cutting of wires and without damage to the housing, trim, decorative elements or carpentry to which the fixture is attached. The ballast and lamp are combined. To replace or install, twist pins into socket as shown on Fig 4.
  11. This fixture contains an integrated photo sensor that automatically prevents operating during daylight hours.
  12. This fixture is rated for a minimum start temperature of 0 degrees Fahrenheit (-17 degree Celsius).
  13. This fixture is ETL Listed for Wet Location applications.
- Your installation is now complete. Return power to the junction box and test the fixture.

**Note:** Illustration (Fig. 1) on this manual is for installation purposes only. It may or may not be identical to the fixture purchased.

The color correlated Temperature (CCT) for replacing the enclosed lamp is (2700K).

**Caution:** CFLs contain Mercury (Hg) Dispose of according to Local, State and Federal Law. ([www.epa.gov/bulbrecycling](http://www.epa.gov/bulbrecycling)).

Fig. 1

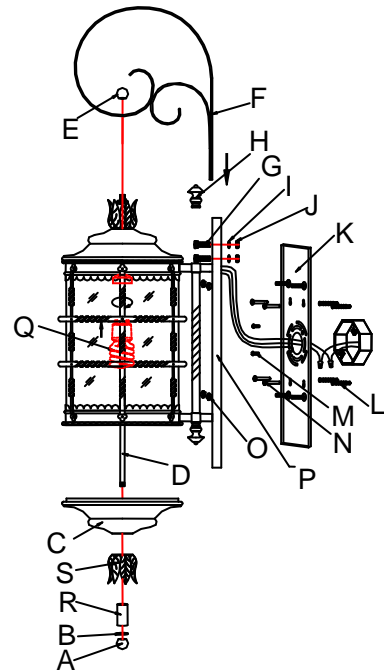


Fig. 2

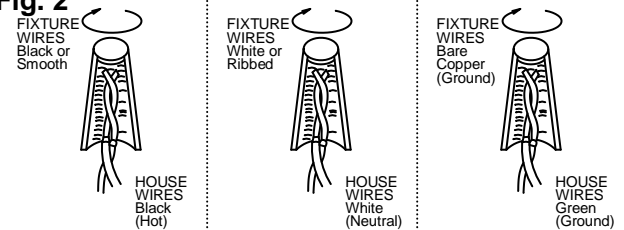


Fig. 3

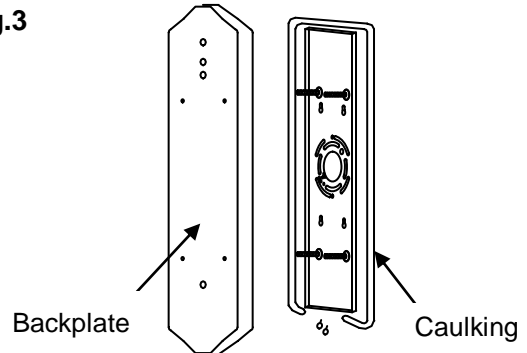
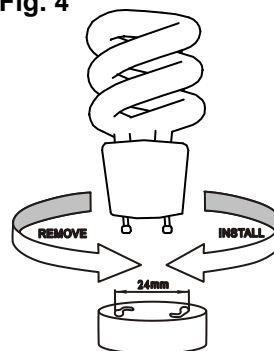


Fig. 4



**Warning: When re-lamping, please use UL and CUL Listed Self-Ballast Fluorescent Lamp, certificated by UL1993.**

## LIMITED 2 YEAR WARRANTY

This Fixture is covered by a Limited 2 year Warranty from the Manufacturer, effective from the date of purchase. This fixture is warranted against defects in the quality of the housing, trims, diffuser, shades, and electrical components. Fixture finishes and/or lamps (bulbs) are expressly excluded from this warranty; refer to bulb manufacturer for lamp warranty. This Fixture, if supplied with an automatic shut off sensor, motion control sensor, or photocell, cannot be installed in conjunction with any other device without voiding warranty. Modifying this fixture or use of another non-provided control will also void Product Warranty and ETL listing.

LA-2061E



american lighting association