

# INSTALLATION INSTRUCTIONS

item#72029-A179-PL(Rev. 05/10/2012)

READ AND SAVE THESE INSTRUCTIONS

**WARNING! SHUT POWER OFF AT FUSE OR CIRCUIT BREAKER.**  
**AVERTISSEMENT! COUPER LE COURANT AU NIVEAU DES FUSIBLES OU DU DISJONCTEUR.**

## MOUNTING THE FIXTURE (Fig.1)

1. Shut off power at the circuit breaker box. Remove the old fixture including the mounting hardware.
2. Carefully unpack your new fixture and lay out all the parts on a clear area. Take care not to lose any small parts necessary for installation.
3. Thread the two mounting screws (C) about 1/4" into the pre-drilled holes in the crossbar (A) spaced the same distance apart as the holes in the ceiling pan (D).
4. Attach the crossbar (A) to the outlet box using the two junction box screws (B). The side of the crossbar marked "GND" must face out.

## CONNECTING THE WIRES (Fig.2)

5. While holding the fixture body towards the ceiling, connect the electrical wires as shown in Fig.2, making sure that all wire connectors are secured. If your outlet has a ground wire (green or bare copper), connect the fixture's ground wire to it. Otherwise, connect the fixture's ground wire directly to the crossbar using the green screw provided. After wires are connected, tuck them carefully into the ceiling junction box.

## FINISHING THE INSTALLATION (Fig. 1)

6. Finish mounting the ceiling pan assembly by placing it over both mounting screws (C) and tightening.
7. Install the CFL bulb 1\*26 W (G) (included) into the socket in accordance with the fixture's specification. **(DO NOT EXCEED THE SPECIFIED WATTAGE!) (NE PAS DEPASSER LA PUISSANCE NOMINALE MAXIMALE!)**
8. The ballast and lamp are combined, to replace or install, twist pins into socket as shown Fig 3.
9. Place the glass shade (H) into metal ring (I), align the holes on the metal ring (I) with the tapped holes on the fixture body (E) and secure them with screws (J).

Your installation is now complete. Return power to the junction box and test the fixture.

**Note: Illustration (Fig. 1) on this manual is for installation purposes only. It may or may not be identical to the fixture purchased.**

Fig. 1

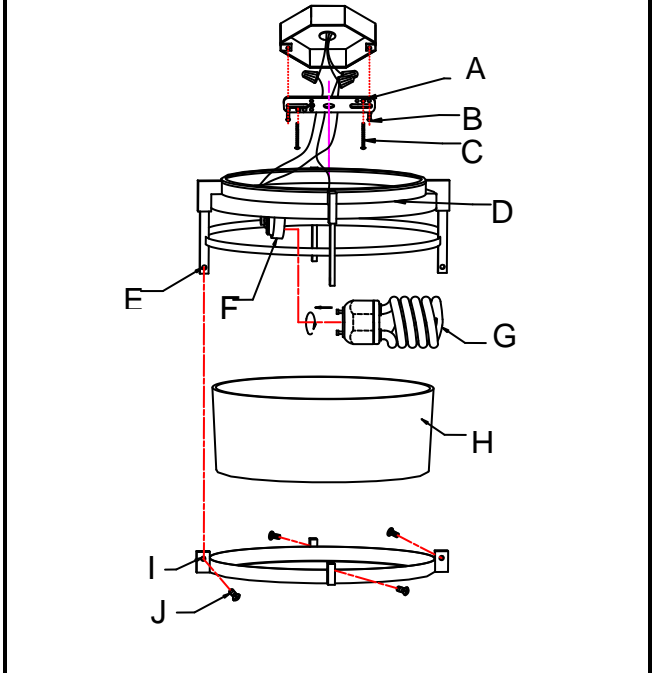


Fig. 2

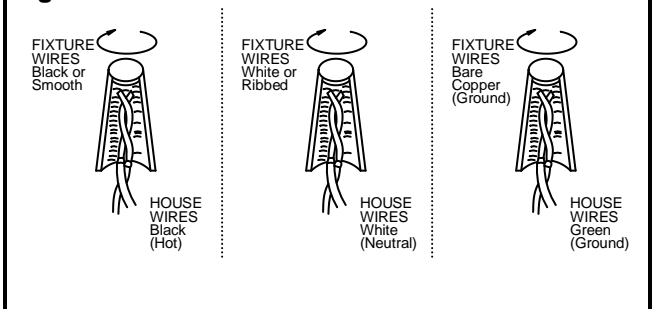
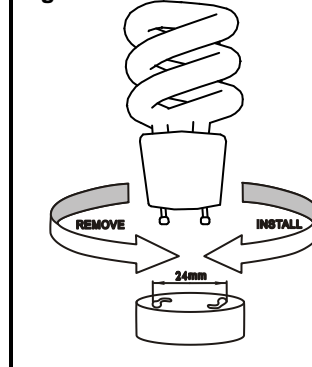


Fig. 3



Warning: When re-lamping, please use UL and CUL Listed Self-Ballast Fluorescent Lamp, certificated by UL1993.

