

INSTALLATION INSTRUCTIONS

For Model 8729

READ AND SAVE THESE INSTRUCTIONS

WARNING! SHUT POWER OFF AT FUSE OR CIRCUIT BREAKER.
AVERTISSEMENT! COUPER LE COURANT AU NIVEAU DES FUSIBLES OU DU DISJONCTEUR.

MOUNTING THE FIXTURE (Fig.1)

1. Shut off the power at the circuit breaker and remove the old fixture, including the mounting hardware.
2. Carefully unpack your new fixture and lay out all the parts on a clear area. Take care not to lose any small parts necessary for installation.
3. Thread the two mounting screws (B) into the pre-drilled holes in crossbar (A) spaced the same distance apart as the holes in the canopy (E).
4. Attach the crossbar (A) to the outlet box using outlet box screws (C). The side of the crossbar (A) marked "GND" must face out.

CONNECTING THE WIRES (Fig.2)

5. While holding the canopy (E) toward the ceiling, connect the electrical wire as shown in (Fig.2), making sure that all wire connectors are secured. If your outlet has a ground wire (green or bare copper), connect the fixture's ground wire to it. Otherwise, connect the fixture ground wire directly to the mounting plate using the green screw provided.

COMPLETING THE INSTALLATION

6. Align the canopy (E) to the two mounting screws (B) and secure with the nuts (D). (Fig.1).
7. Install the 2*60W A19 Light bulbs (not included) in accordance with the fixture's specification. **(DO NOT EXCEED THE SPECIFIED WATTAGE!) (NE PAS DEPASSER LA PUISSANCE NOMINALE MAXIMALE!).**
8. Align the glass shade housing (G) to the studs (F) on canopy (E) and secure with cap nuts (H).

Your installation is now complete. Return power to the junction box and test the fixture.

Note: Illustration (Fig. 1) on this manual is for installation purposes only. It may or may not be identical to the fixture purchased.

MIN 90° C SUPPLY CONDUCTORS

Fig. 1

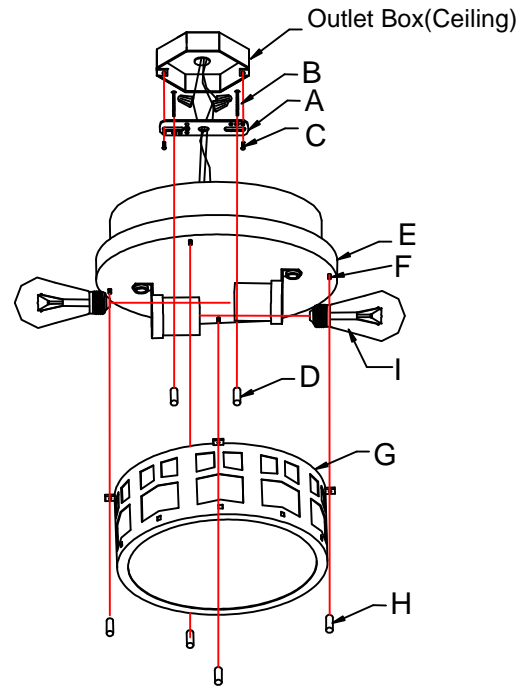


Fig. 2

