

INSTALLATION INSTRUCTIONS

For Model 8210-A61-PL

READ AND SAVE THESE INSTRUCTIONS

WARNING! SHUT POWER OFF AT FUSE OR CIRCUIT BREAKER.

AVERTISSEMENT! COUPER LE COURANT AU NIVEAU DES FUSIBLES OU DU DISJONCTEUR.

MOUNTING THE BACKPLATE (Fig.1)

1. Shut off the power at the circuit breaker and remove the old fixture, including the mounting hardware.
2. Carefully unpack your new fixture and lay out all the parts on a clear area. Take care not to lose any small parts necessary for installation.
3. Attach the crossbar to the junction box using the two junction box screws (Size: #8-32N*L0.5"). The side of the crossbar marked "GND" must face out.
4. Thread the nipple into the center hole of the crossbar. The length of the nipple into the crossbar may be adjusted if needed.

CONNECTING THE WIRES (Fig. 2)

5. Connect the electrical wires as shown in Fig. 2, making sure that all wire connectors are secured. If your outlet box has a ground wire (green or bare copper), connect the fixture's ground wire to it. Otherwise, connect the fixture's ground wire directly to the mounting plate using the green screw provided. After the wires are connected carefully tuck them inside the junction box.

MOUNTING FIXTURE (Fig.1)

6. After the wires are connected, tuck them carefully inside the junction box as you place the backplate over the nipple and secure with cap nuts (E).
7. To prevent moisture from entering the outlet box and causing a short, use clear caulking (ie. Indoor/Outdoor Silicone Sealant) to outline the outside of fixture backplate where it meets the wall leaving a space at bottom to allow moisture a means to escape (Fig.4).
8. Install the PL 1*13W bulb (included) in accordance with the fixture's specification. **(DO NOT EXCEED THE MAXIMUM WATTAGE RATING!!) (NE PAS DEPASSER LA PUISSANCE NOMINALE MAXIMALE!)**. Note: To prevent damage to the bulb during installation, hold the bulb by the base only while installing into the socket.
9. The ballast in each of these models can be replaced by a qualified electrician without cutting of wires and without damage to the housing, trim, decorative elements or carpentry to which the fixture is attached. See installation steps for more detail. (Fig.3)
10. For installing or replacing the bulb at a later date, pull up the bolt (D) and open the glass (C), install bulb (A) to socket (B). After the installation, close the glass (C) and secure it with the bolt (D).
11. This fixture is rated for a minimum start temperature of -17° Celsius
12. This fixture is ETL Listed for Wet Location applications.

Your installation is now complete. Return power to the junction box and test the fixture.

The color correlated Temperature (CCT) for replacing the enclosed lamp is (2700K).

Caution: CFLs contain Mercury (Hg) Dispose of according to Local, State and Federal Law. (www.epa.gov/bulbrecycling).

Fig.1

Set# **A-016**

- Crossbar
- Ground screw
- Mounting Screw*2

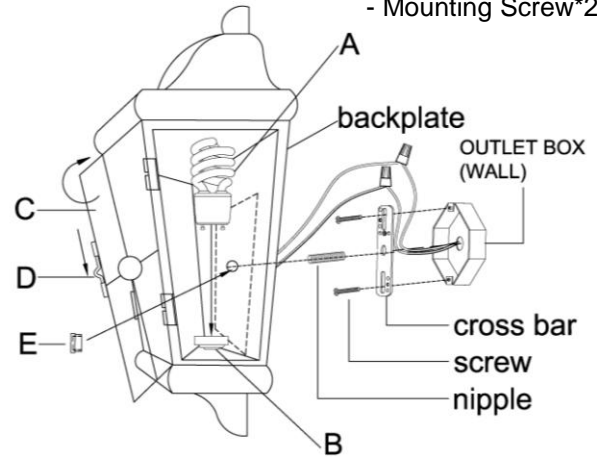


Fig. 2

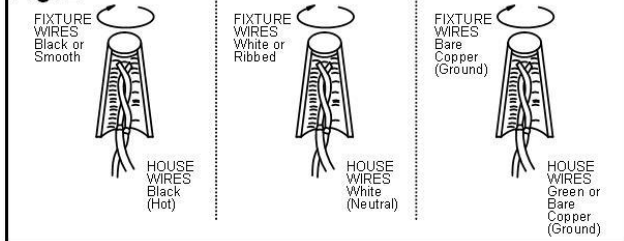
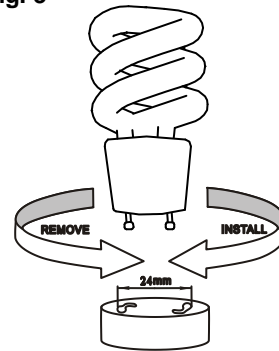


Fig. 3



Warning: When re-lamping, please use UL and CUL Listed Self-Ballast Fluorescent Lamp, certificated by UL1993.

Fig. 4

