

INSTALLATION INSTRUCTIONS

For Model 8723-A615B

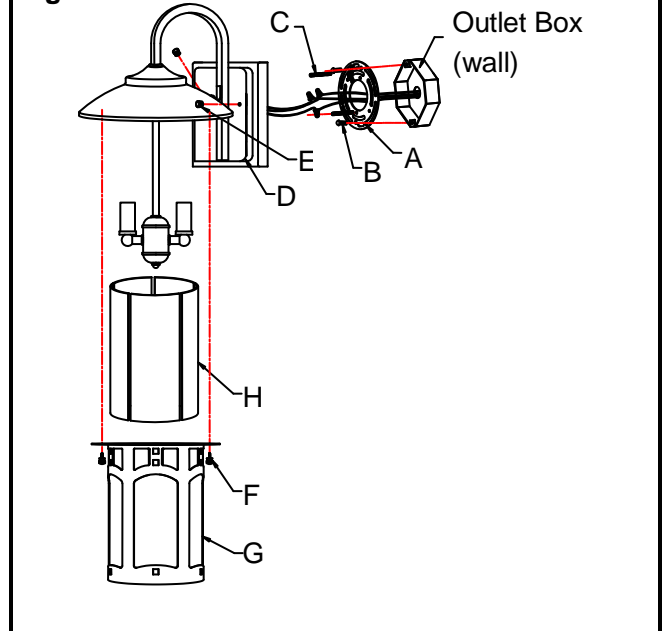
WARNING! SHUT POWER OFF AT FUSE OR CIRCUIT BREAKER.

AVERTISSEMENT! COUPER LE COURANT AU NIVEAU DES FUSIBLES OU DU DISJONCTEUR.

MOUNTING THE BACKPLATE (Fig.1)

1. Shut off the power at the circuit breaker and remove the old fixture, including the mounting hardware.
2. Carefully unpack your new fixture and lay out all the parts on a clear area. Take care not to lose any small parts necessary for installation.
3. The circular strap (A) contains several pairs of threaded holes. Find the pair of holes that match the hole spacing in your fixture's back plate (D) and thread the two mounting screws (C) into the circular strap (A) (You can adjust the length of the screws if necessary).
4. Place the circular strap (A) over the outlet box and secure it with screws (B) through the slotted holes. The side of the circular strap (A) marked "GND" must face out.
5. Loosen screw (F) and remove the metal frame (G). Insert glass panels (H) into metal frame (G) and secure them using the clips provided.

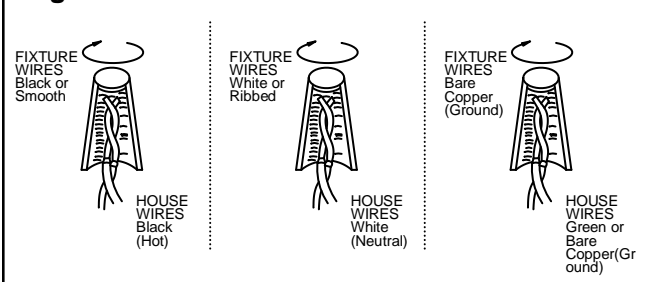
Fig. 1



CONNECTING THE WIRES (Fig. 2)

6. Connect the electrical wires as shown in Fig. 2, making sure that all wire connectors are secured. If your outlet box has a ground wire (green or bare copper), connect the fixture's ground wire to it. Otherwise, connect the fixture's ground wire directly to the circular strap using the green screw provided. After the wires are connected carefully tuck them inside the Junction box.

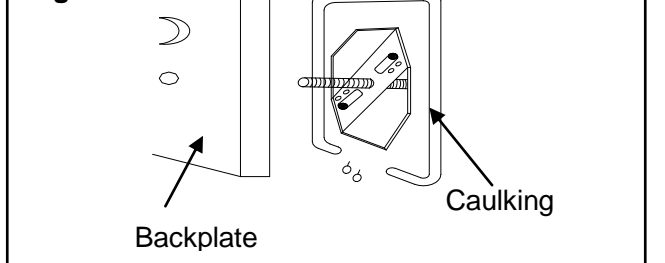
Fig.2



COMPLETING THE INSTALLATION

7. Align the back plate (D) to mounting screws (C) (previously installed) and secure with cap nuts (E).
8. To prevent moisture from entering the outlet box and causing a short, use clear caulking to outline the outside of the backplate (D) where it meets the wall leaving a space at the bottom to allow moisture a means to escape. (Fig.3)
9. Install 3*60W B10.5 bulb (not included) in accordance with the fixture's specification. **(DO NOT EXCEED THE MAXIMUM WATTAGE RATING!!) (NE PAS DEPASSER LA PUISSANCE NOMINALE MAXIMALE!).**
10. Attach the metal frame (G) to the fixture's top dome with screws (F).
11. For installing or replacing bulb at later date, install through the bottom of the fixture.

Fig.3



Your installation is now complete. Return power to the junction box and test the fixture.

Note: Illustration (Fig. 1) on this manual is for installation purposes only. It may or may not be identical to the fixture purchased.

