

# INSTALLATION INSTRUCTION

For item#72023-A179-PL (Rev. 09/27/2011)

READ AND SAVE THESE INSTRUCTIONS

**WARNING! SHUT POWER OFF AT FUSE OR CIRCUIT BREAKER.**

**AVERTISSEMENT! COUPER LE COURANT AU NIVEAU DES FUSIBLES OU DU DISJONCTEUR.**

## MOUNTING THE BACKPLATE (Fig.1)

1. Shut off the power at the circuit breaker and remove the old fixture, including the mounting hardware.
2. Carefully unpack your new fixture and lay out all the parts on a clear area. Take care not to lose any small parts necessary for installation.
3. Attach the mounting plate (A) to the junction box with Screws (B) (Size: #8-32N\*L0.5"). The side of the mounting plate marked "GND" must face out.

## CONNECTING THE WIRES (Fig. 2)

4. Connect the electrical wires as shown in Fig. 2, making sure that all wire connectors are secured. If your outlet box has a ground wire (green or bare copper), connect the fixture's ground wire to it. Otherwise, connect the fixture's ground wire directly to the mounting plate using the green screw provided. After the wires are connected carefully tuck them inside the junction box.

## COMPLETING THE INSTALLATION

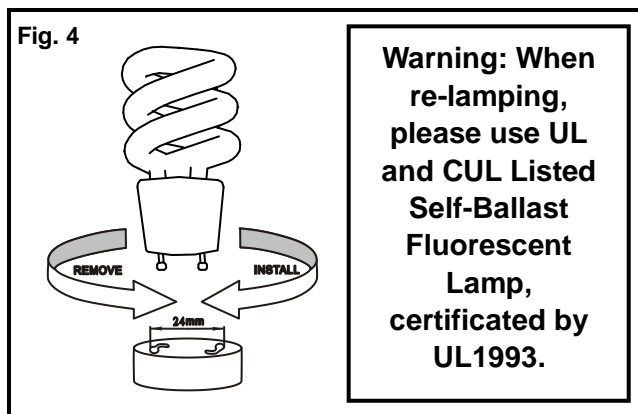
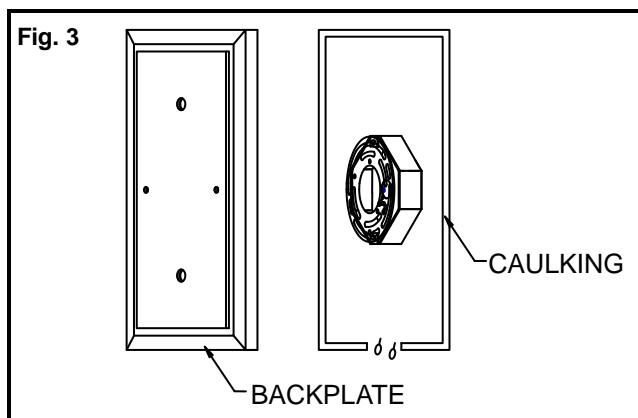
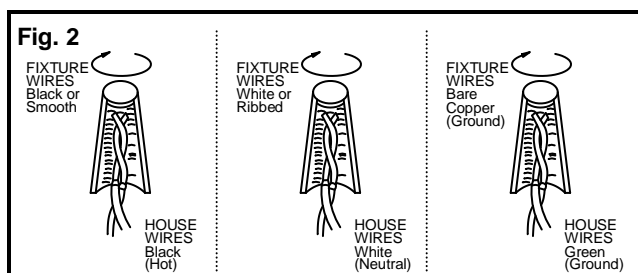
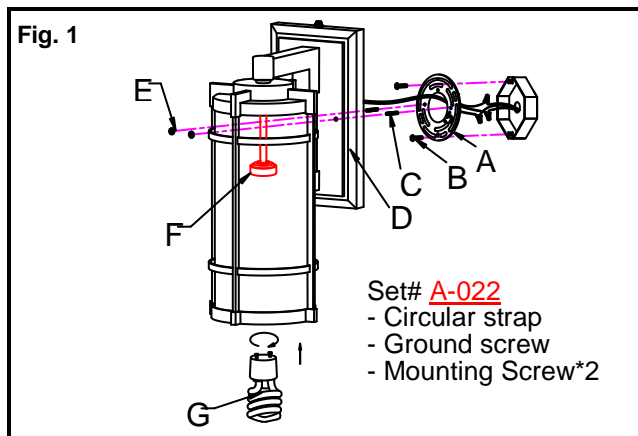
5. Install screws (C) into the mounting plate (A) equal distance apart to align with the mounting holes on back plate (D).
6. Place the back plate (D) over screws (C), and secure with cap nuts (E).
7. To prevent moisture from entering the outlet box and causing a short, use clear caulking (i.e. Indoor/Outdoor Silicone Sealant) to outline the outside of fixture back-plate where it meets the wall leaving a space at bottom to allow moisture a means to escape (Fig.3).
8. Install the CFL 1\*13W bulb (G) (included) into socket (F) in accordance with the fixture's specification. **(DO NOT EXCEED THE SPECIFIED WATTAGE!) (NE PAS DEPASSER LA PUISSANCE NOMINALE MAXIMALE!).**
9. The ballast and lamp are combined, to replace or install, twist pins into socket as shown on Fig 4.
10. This fixture is rated for a minimum start temperature of 0 degrees Fahrenheit (-17 degree Celsius).
11. This fixture is ETL Listed for Wet Location applications.

Your installation is now complete. Return power and test the fixture.

**Note: Illustration (Fig. 1) on this manual is for installation purposes only. It may or may not be identical to the fixture purchased.**

The color correlated Temperature (CCT) for replacing the enclosed lamp is (2700K).

**Caution:** CFLs contain Mercury (Hg) Dispose of according to Local, State and Federal Law. ([www.epa.gov/bulbrecycling](http://www.epa.gov/bulbrecycling))



LA-1162E



american  
lighting  
association