

# INSTALLATION INSTRUCTIONS

For Model 71199-PL

## READ AND SAVE THESE INSTRUCTIONS

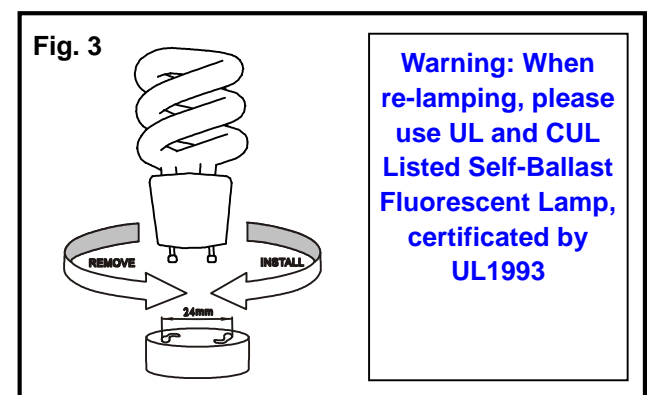
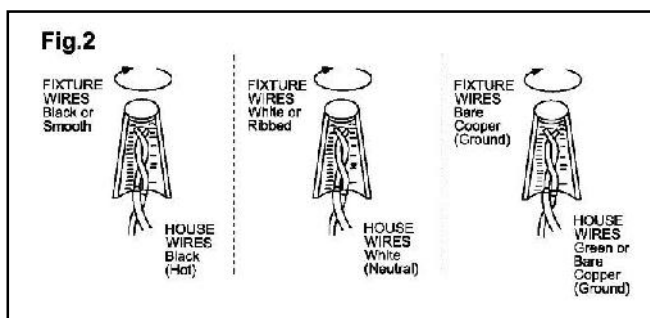
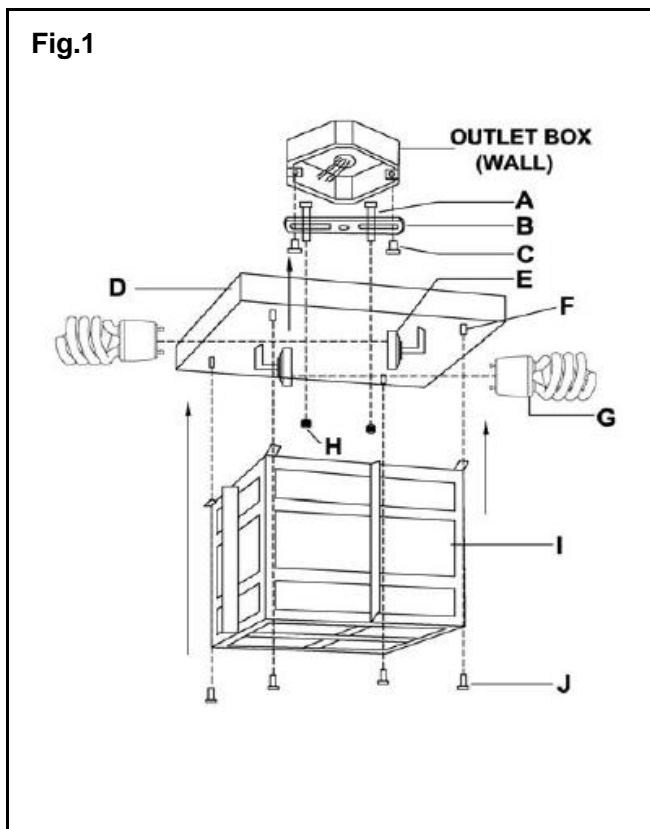
**WARNING! SHUT POWER OFF AT FUSE OR CIRCUIT BREAKER.**  
**AVERTISSEMENT! COUPER LE COURANT AU NIVEAU DES FUSIBLES OU DU DISJONCTEUR.**

### MOUNTING THE FIXTURE (Fig. 1)

1. Shut off power at the fuse box or circuit breaker box and remove the old fixture including the mounting hardware.
2. Carefully unpack your new fixture and lay out all the parts on a clear area. Take care not to lose any small parts necessary for installation.
3. Thread the two screws (A) into crossbar (B) evenly spaced with the holes in the canopy (D).
4. Attach the crossbar (B) to the outlet box using the two screws (C). The side of the crossbar marked "GND" must face out.
5. While supporting the fixture, connect the electrical wires as shown in Fig. 2, making sure that all wire connectors are secured. If your outlet has a ground wire (green or bare copper), connect the fixture's ground wire to it. Otherwise, connect the fixture's ground wire directly to the crossbar using the green screw provided. Tuck the wire connections neatly into the junction box.
6. Align the canopy (D) to the previously installed screws (A) and secure with ball nuts (H).
7. Install 2\*13W PL light bulbs (G) (included) in accordance with the lamp's specifications. **(DO NOT EXCEED THE MAXIMUM WATTAGE RATING) (NE PAS DEPASSER LA PUISSANCE NOMINALE MAXIMALE!)**
8. The ballast and lamp are combined, to replace or install, twist pins into socket as shown on Fig.3.
9. Align the frame (I) to studs (F) and secure with screws (J).

Your installation is now complete. Return power to the junction box and test the fixture.

Note: Illustration (Fig. 1) on this manual is for installation purposes only. It may or may not be identical to the fixture purchased.



LA-1984E

