

LINE-VOLTAGE PENDANTS/SUSPENSION

Echo Pendant



DESCRIPTION

Transparent cylinder shade over a white case glass cylinder. Black satin nickel, and white finish options highlighted with three satin nickel cylinder details and clear cable; antique bronze finish highlighted with three antique bronze cylinder details and brown cable. Available in two sizes: large and small. Large includes 120 volt, 75 watt or equivalent A19 medium base lamp or 18 watt GX24Q-2 base triple tube compact fluorescent lamp (electronic ballast included). Small includes 120 volt, 60 watt mini candelabra base lamp. Fixture is provided with six feet of field-cutable cable. Incandescent version dimmable with standard incandescent dimmer.

INSTALLATION

This product can mount to either a 4" square electrical box with round plaster ring or an octagon electrical box.

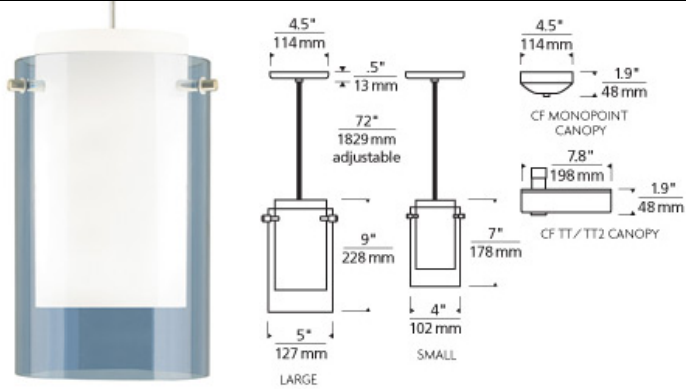
ACCESSORIES & OPTICAL CONTROLS

Line-voltage Swag Hook

WEIGHT

1.3lb / 0.59kg ±

COLOR OPTIONS



steel blue

ORDERING INFORMATION

700	SYSTEM	ECP	SHAPE OR SIZE	COLOR	FINISH	LAMP
TD	LINE-VOLTAGE PENDANTS/SUSPENSION		LARGE	A AMBER	Z ANTIQUE BRONZE	INCANDESCENT 120V
TT	SINGLE-CIRCUIT T-TRAK		S SMALL	Q AQUAMARINE	B BLACK	-CF COMPACT FLUORESCENT 120V
TT2	TWO-CIRCUIT T-TRAK			C CLEAR	S SATIN NICKEL	-CF277 COMPACT FLUORESCENT 277V
				B HAVANA BROWN	W WHITE	
				S SMOKE		
				U STEEL BLUE		

Compact Fluorescent available with large version only.

For use on Halo*, Juno* or Lightolier* 120 volt single-circuit track, order as follows:

Incandescent: Order pendant as **700TD** and order appropriate [120V Track Adapter](#)

Compact Fluorescent: Substitute 700TD with one of the following: **700TH** (fits Halo*), **700TJ** (fits Juno*) or **700TI** (fits Lightolier*) and by substituting the finish with one of the following: **BZ** (Black/Antique Bronze), **BS** (Black/Satin Nickel), **WZ** (White/Antique Bronze) or **WS** (White/Satin Nickel).

*Tech Lighting is not affiliated, nor is it endorsed by any of the companies listed nor does Tech Lighting distribute any of their products.



Tech Lighting, L.L.C.

700 ____ ECP _____

FIXTURE TYPE: _____

JOB NAME: _____

NOTES: _____

