

LINE-VOLTAGE PENDANTS/SUSPENSION

Beacon Pendant

DESCRIPTION

Transparent cylinder shade. Black, satin nickel, and white finish options highlighted with three satin nickel cylinder details and clear cable; antique bronze finish highlighted with three antique bronze cylinder details and brown cable. Includes 120 volt, 30 watt or equivalent medium base T9 Classic Edison Style lamp. Fixture is provided with six feet of field-cutable cable. Dimmable with standard incandescent dimmer.

INSTALLATION

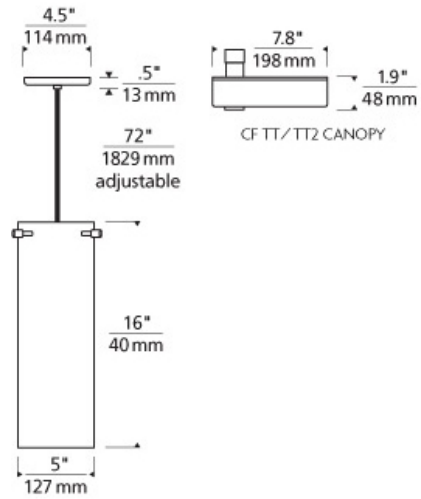
This product can mount to either a 4" square electrical box with round plaster ring or an octagon electrical box.

WEIGHT

4.25lb / 1.93kg ±



amber



COLOR OPTIONS



amber



aquamarine



clear

havana brown



smoke



steel blue

ORDERING INFORMATION

700 SYSTEM	BCNP	COLOR	FINISH	LAMP
TD	LINE-VOLTAGE PENDANTS/SUSPENSION	A AMBER Q AQUAMARINE C CLEAR B HAVANA BROWN K SMOKE U STEEL BLUE	Z ANTIQUE BRONZE B BLACK S SATIN NICKEL W WHITE	INCANDESCENT 120V -CF COMPACT FLUORESCENT 120V



TECH LIGHTING®
7400 Linder Avenue T 847.410.4400
Skokie, Illinois 60077 F 847.410.4500

Tech Lighting, L.L.C.

700 ____ BCNP _____

FIXTURE TYPE: _____

JOB NAME: _____

NOTES: _____



©2013 Tech Lighting, L.L.C. All Rights Reserved. The "Tech Lighting" graphic is a registered trademark of Tech Lighting, L.L.C. Tech Lighting reserves the right to change specifications for product improvements without notification.