

LOW-VOLTAGE HEADS

John Head

DESCRIPTION

Adjustable head tilts and rotates infinitely. Integral louver lens holder can hold a single glass lens (sold separately) or an eggcrate louver (included). Low-voltage, MR16 lamp of up to 50 watts (not included).

INSTALLATION

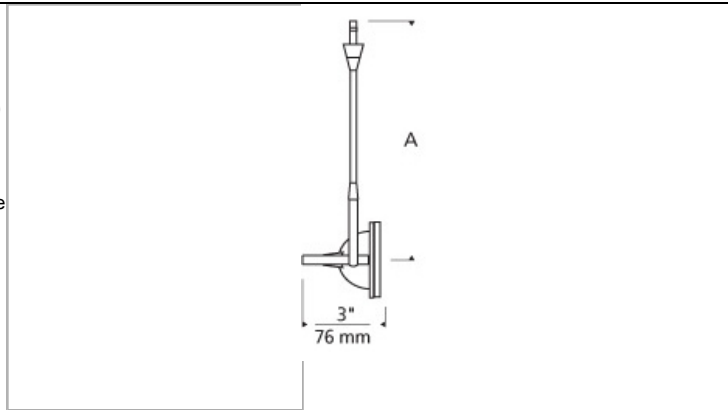
Socket terminates with FreeJack male connector, which may be installed into a system connector. Elements ordered with a system prefix include a connector for that system. For use on T~TRAK, order FreeJack version and T~TRAK FreeJack Connector (sold separately).

ACCESSORIES & OPTICAL CONTROLS

Colored Lens, Dichroic Lens, Diffuser Lens, Eggcrate Louver, Linear Spread Lens, Soft Focus Lens, UV Filter

WEIGHT

0.2lb / 0.09kg ±



ORDERING INFORMATION

700 SYSTEM	JON	LENGTH	FINISH
FJ	FREEJACK	03 3"	Z ANTIQUE BRONZE
MO	MONORAIL	06 6"	C CHROME
MO2	TWO-CIRCUIT MONORAIL	12 12"	S SATIN NICKEL
WMO	WALL MONORAIL	18 18"	
		24 24"	



TECH LIGHTING®

7400 Linder Avenue T 847.410.4400
Skokie, Illinois 60077 F 847.410.4500

Tech Lighting, L.L.C.

700 ____ JON ____

FIXTURE TYPE: _____

JOB NAME: _____

NOTES: _____



©2013 Tech Lighting, L.L.C. All Rights Reserved. The "Tech Lighting" graphic is a registered trademark of Tech Lighting, L.L.C. Tech Lighting reserves the right to change specifications for product improvements without notification.