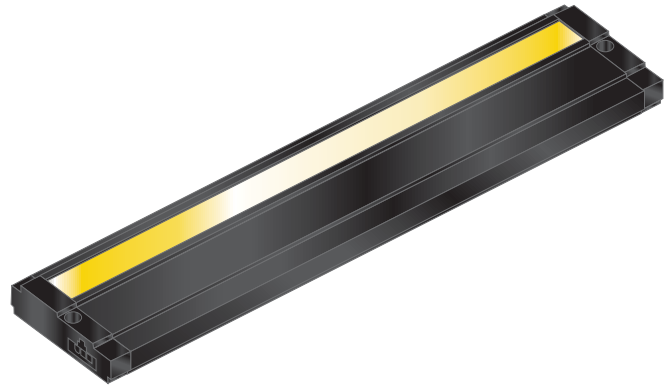


Unilume LED Undercabinet

700UCF_-LED 1.2



GENERAL PRODUCT INFORMATION:



This product is suitable for damp locations.

This product can be dimmed with a low-voltage electronic dimmer.

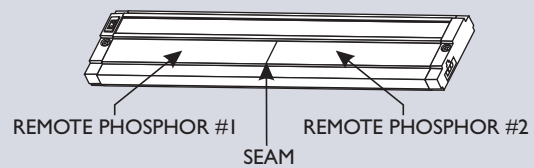
This instruction shows a typical installation.

CAUTION—RISK OF FIRE

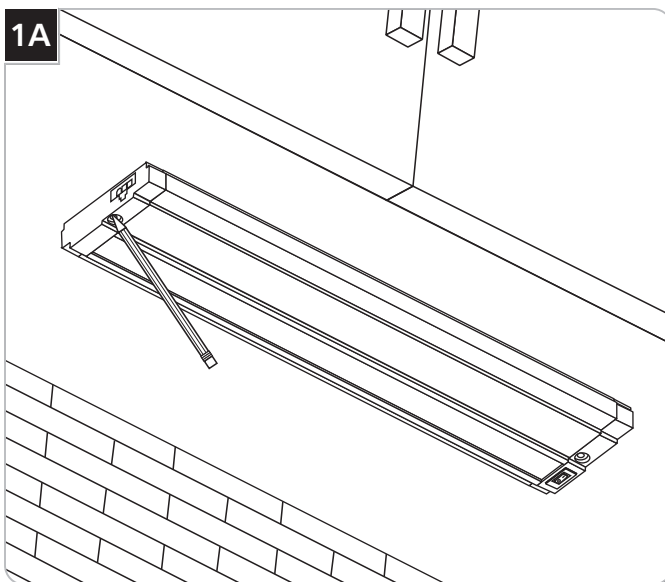
This product requires installation by a qualified electrician. Before installing be sure to read all instructions and DISCONNECT POWER TO THE ELECTRICAL BOX.

NOTE: A string of Undercabinet unit connections from a single power source cannot exceed a 600 watt limit.

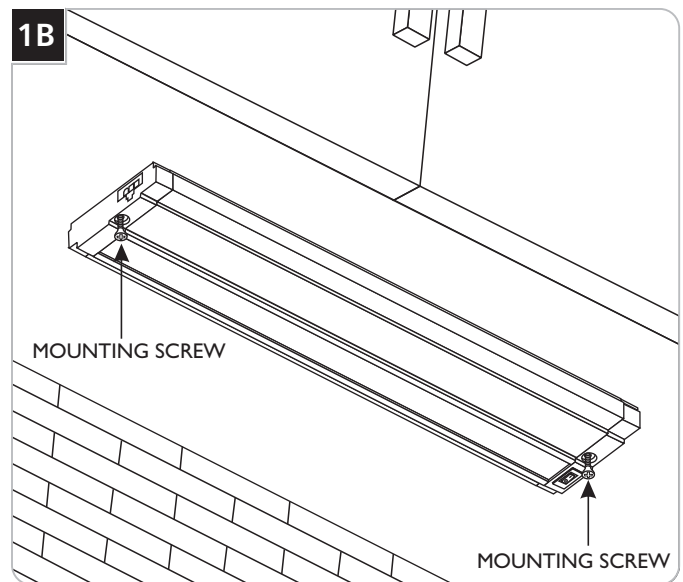
NOTE: The 18" version is composed of 2 remote phosphor sheets, resulting in a seam where they join.



Install the Fixture Base



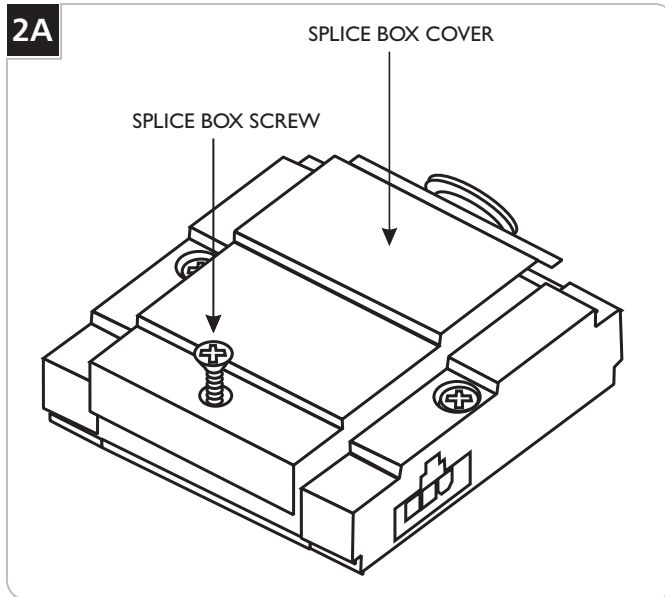
- 1 Place and level the unit in the desired position.
- 2 Mark the two points under the cabinet through the mounting holes.



- 3 Secure the fixture with the provided mounting screws.

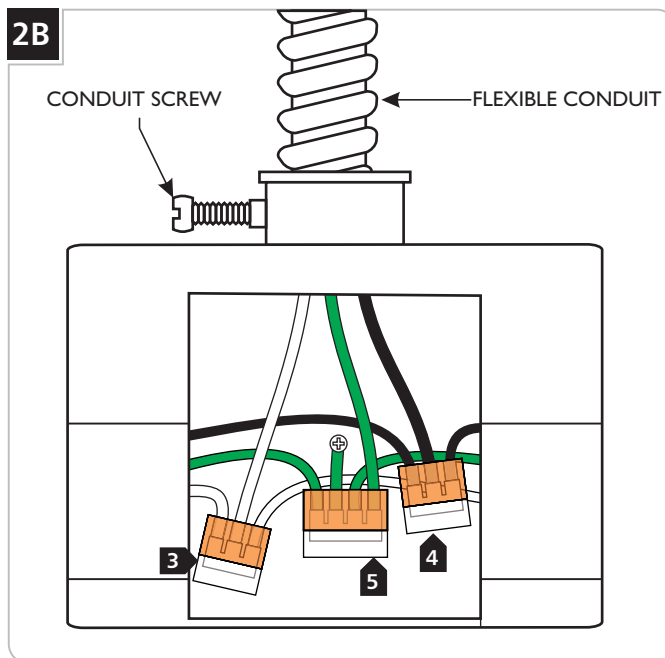
Install the Splice Box (Optional)

2A



- 1 Loosen the center screw on the splice box and remove the cover.

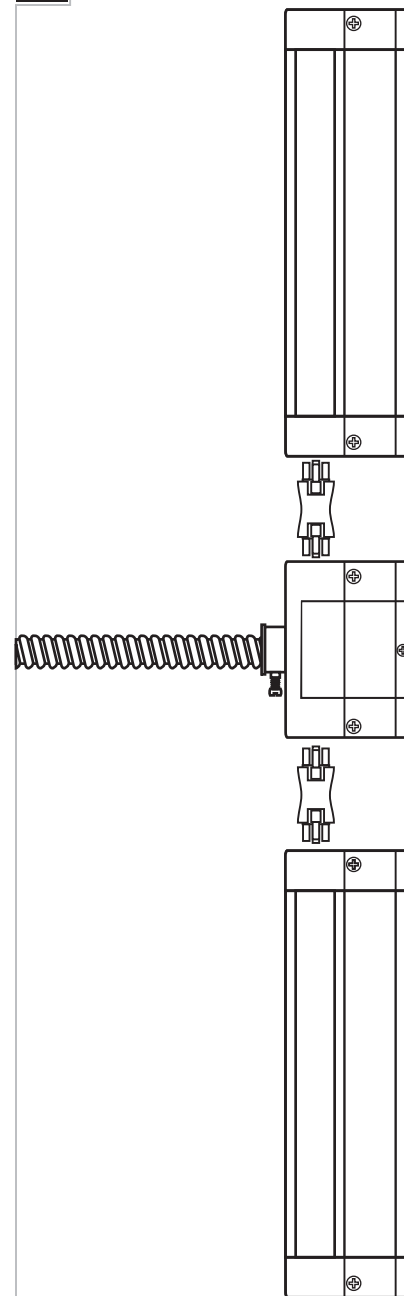
2B



- 2 Feed the flexible conduit and the power lines into the splice box. Secure it with the conduit screw.
- 3 Push the neutral power line wire into the wire connector with the white splice box wires.
- 4 Push the hot power line into the wire connector with the black splice box wire.
- 5 Connect the fixture to a suitable ground in accordance to local electrical code.
- 6 Replace the splice box cover and secure it with the screw.

Jumper Connectors and Plug-In Wall Feed

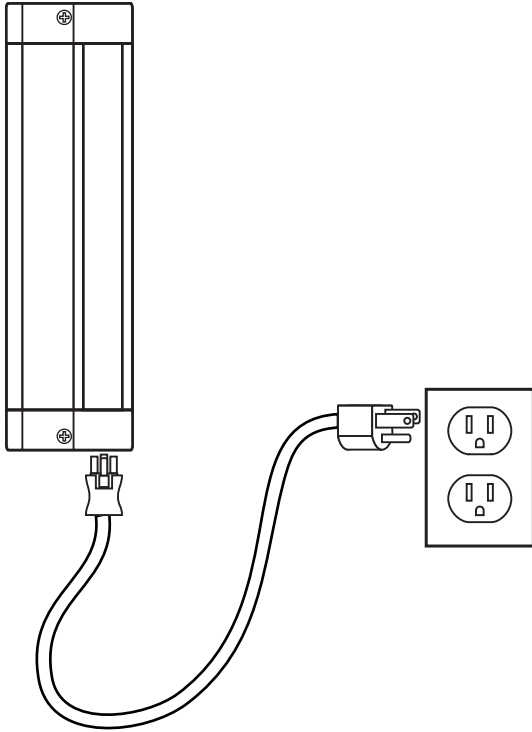
3A



- 1 Using the jumper connectors, link Undercabinet units to either or both ends of the Splice Box.

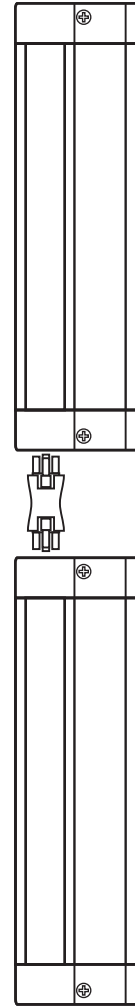
NOTE: Remove and/or reuse the decorative connector cover on either end of the Undercabinet unit or Splice Box.

3B



2 Using the Plug-In Wall Feed, plug the Undercabinet unit directly into a wall outlet.

3C



3 Remove the connector cover and use the Jumper Connectors to link multiple Undercabinet units to one another.

SAVE THESE INSTRUCTIONS!



TECH LIGHTING®

7400 Linder Ave, Skokie, IL 60077

847.410.4400

www.techlighting.com

© 2012 Tech Lighting, L.L.C. All rights reserved. The "Tech Lighting" graphic is a registered trademark of Tech Lighting, L.L.C. Tech Lighting reserves the right to change specifications for product improvements without notification.

A Generation Brands Company