

Playa Flush Wall (Compact Fluorescent)

700WSPLAF_-CF

1.0



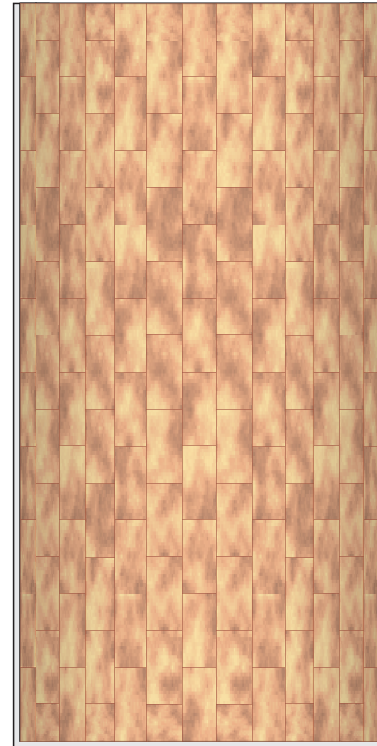
WALL COLLECTION

GENERAL PRODUCT INFORMATION:

This product is suitable for damp locations.



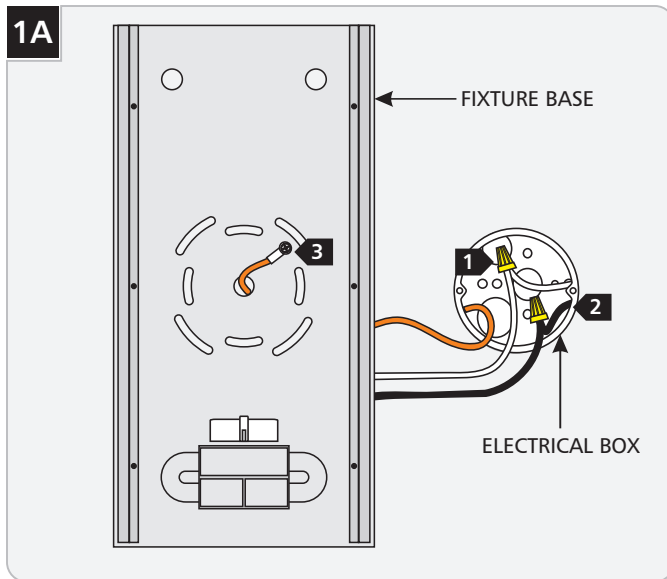
This product can mount to either a 4" square electrical box with round plaster ring or an octagon electrical box.



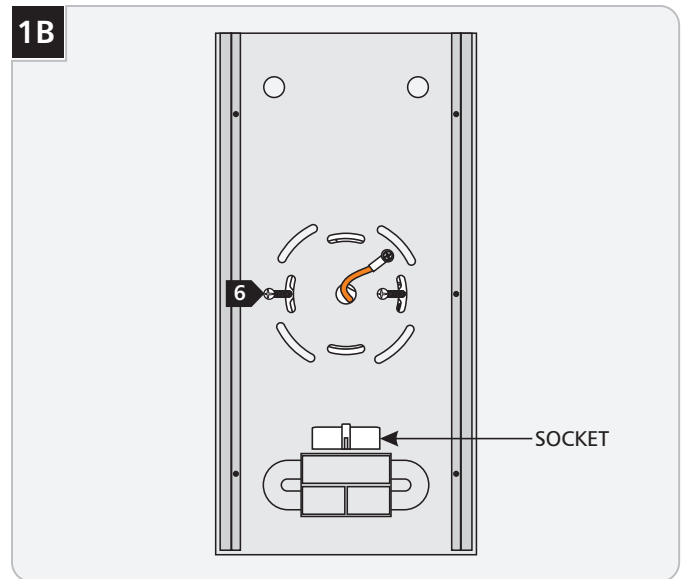
CAUTION—RISK OF FIRE

This product requires installation by a qualified electrician. Before installing be sure to read all instructions and DISCONNECT POWER TO THE ELECTRICAL BOX.

Install the Fixture Base

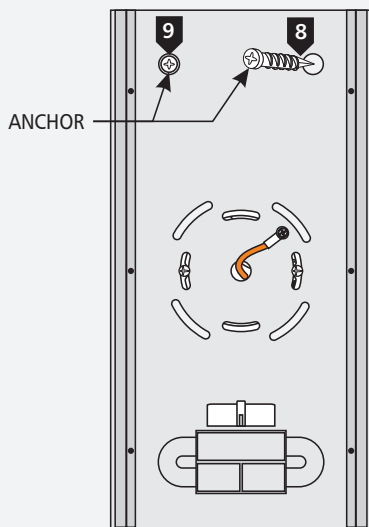


- 1** Connect the white fixture wire to the neutral power line wire with a wire nut.
- 2** Connect the black fixture wire to the hot power line wire with a wire nut.
- 3** Connect the ground wire to a suitable ground according to local electrical codes.



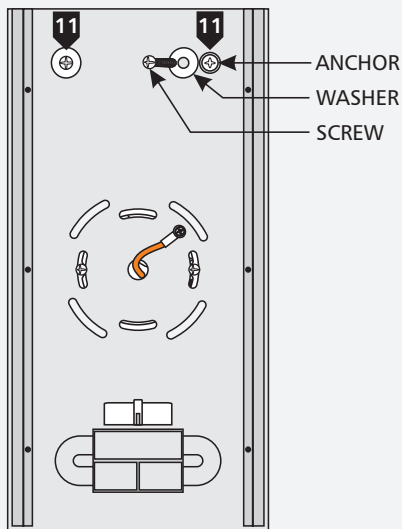
- 4** Place all wires and wire nut connections inside the electrical box.
- 5** Line up two mounting slots with the two electrical box holes. Make sure the lamp socket is at the bottom.
- 6** Secure the fixture base to the electrical box with the two #8-32 screws provided.

1C



- 7 Verify that the fixture is level before continuing.
- 8 Line an anchor tip with the center of an anchor hole, and push the anchor into the wall up to the threads.
- 9 Screw the anchor in the rest of the way with a Phillips-head screwdriver.
- 10 Repeat for the other anchor hole.

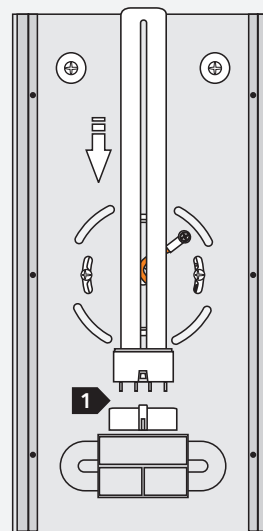
1D



- 11 Slide a #8 screw through a washer, and screw it into an anchor to secure the fixture base to the wall. Repeat for the other anchor.

Install the Lamp and Shade

2A

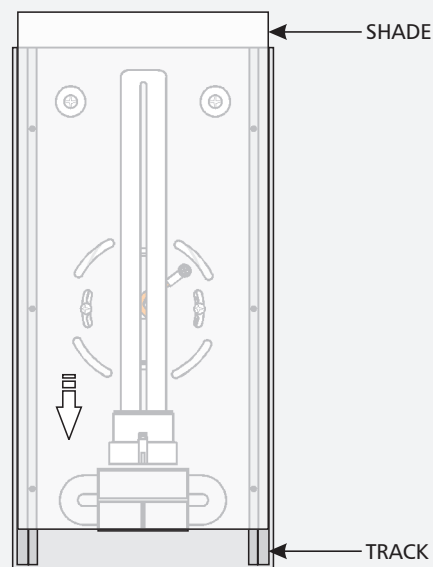


CAUTION: To reduce the risk of a burn or electric shock during relamping, disconnect the power to the fixture.

Use **MAX 18 Watt** Type T5
Twin Tube, 2G11 Base Compact Fluorescent Lamp.

- 1 Push the lamp base into the socket.

2B



- 2 Gently slide the edges of the shade down the tracks in the fixture base until it rests against the end of the tracks.

SAVE THESE INSTRUCTIONS!



TECH LIGHTING®

7400 Linder Ave, Skokie, IL 60077

847.410.4400

www.techlighting.com

© 2008 Tech Lighting, L.L.C. All rights reserved. The "Tech Lighting" graphic is a registered trademark of Tech Lighting, L.L.C. Tech Lighting reserves the right to change specifications for product improvements without notification.

A Generation Brands Company