

# Coronado Wall Compact Fluorescent

700WSCOR\_CF

1.0



## GENERAL PRODUCT INFORMATION:



This product can mount to either a 4" square electrical box with round plaster ring or an octagon electrical box.

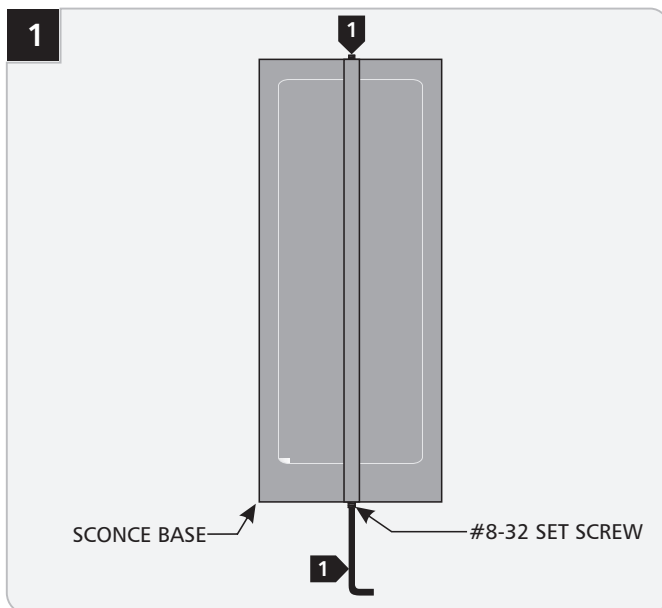
This product is suitable for indoor dry locations only.



### CAUTION — RISK OF FIRE

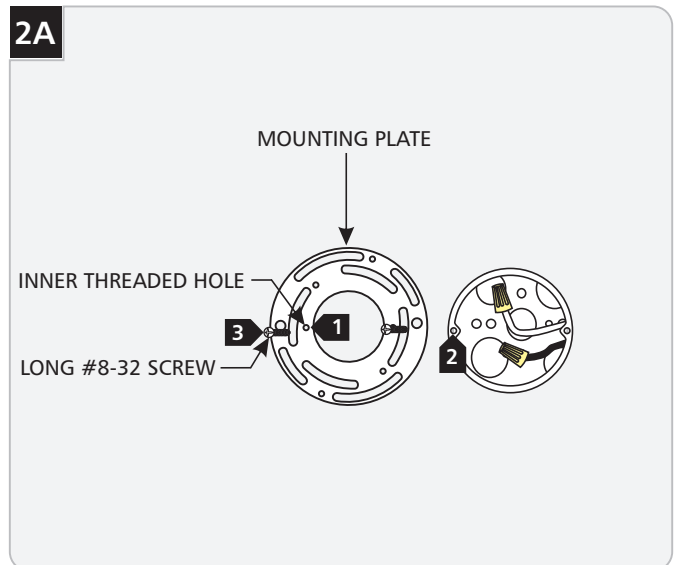
This product requires installation by a qualified electrician. Before installing be sure to read all instructions and **TURN THE POWER TO THE ELECTRICAL BOX OFF.**

## Remove the Shade

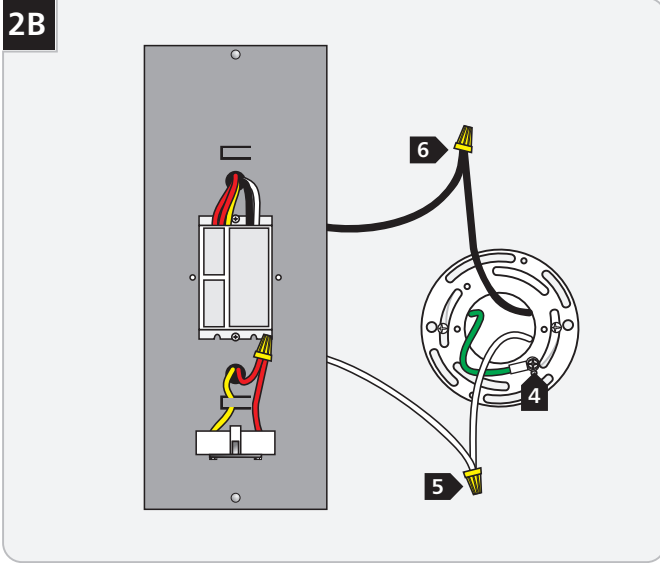


- 1 Back out both #8-32 set screws without removing them, using the provided 5/64" Allen wrench.
- 2 Pull the shade off of the sconce base.

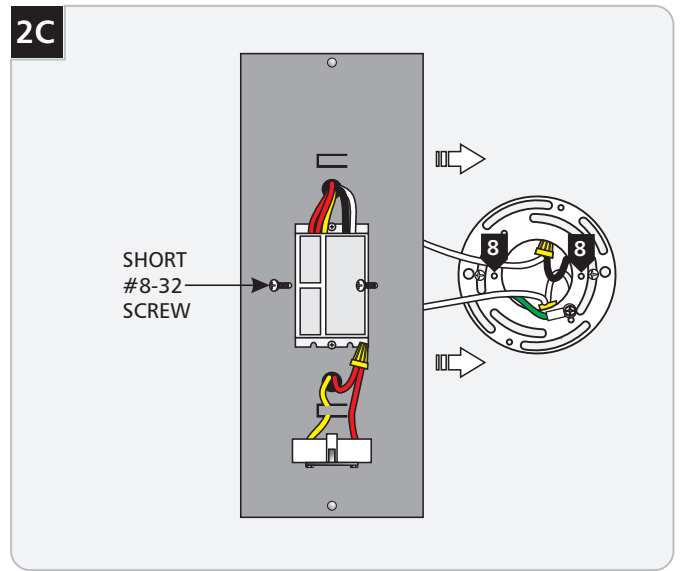
## Mount the Sconce to the Electrical Box



- 1 Make sure the two inner threaded holes on the mounting plate are positioned horizontally.
- 2 Line up two mounting plate slots with the two electrical box holes.
- 3 Level the mounting plate horizontally and secure it to the electrical box with the two Long #8-32 screws provided.



- 4** Connect the green ground wire terminal ring to the mounting plate with provided screw. Make sure that the mounting plate is grounded in accordance with local electrical codes.
- 5** Connect the neutral 120 volt electrical box wire to the white ballast wire with a wire nut.
- 6** Connect the hot 120 volt electrical box wire to the black ballast wire with a wire nut.



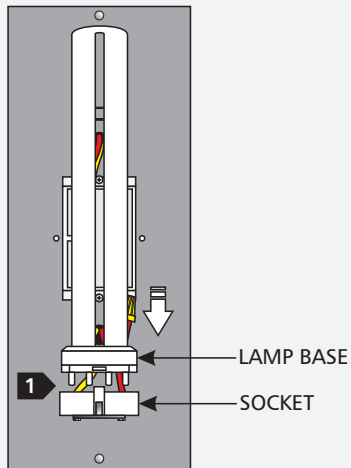
- 7** Feed the wires into the electrical box.
- 8** Line up the screw holes in the sconce base with the inner screw holes in the mounting plate.
- 9** Hold the sconce base in place and secure it to the inner screw holes with the two short #8-32 screws provided.

## Install the Lamp and Glass Shade

**CAUTION:** To reduce the risk of a burn or electric shock during relamping, disconnect the power to the fixture by turning the wall switch off.

**NOTE:** Use only your fingers to replace the lamp.

**3A**

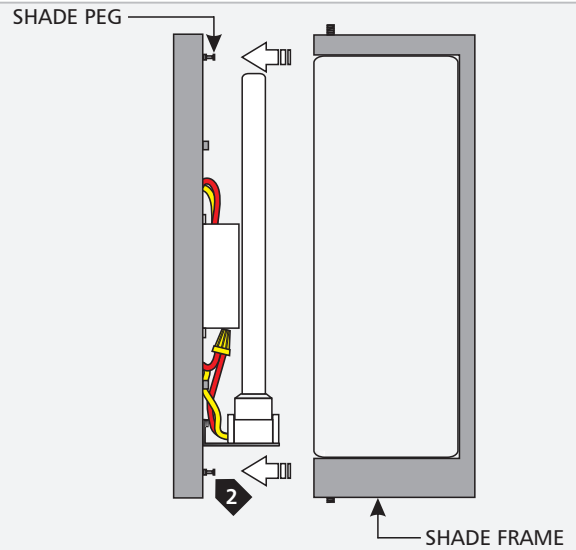


- 1 Push the lamp base firmly and completely into the socket.

Use **MAX 18 Watt, Twin-Tube Compact Fluorescent Lamp.**

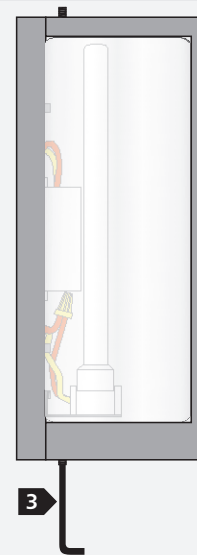


**3B**



- 2 Line up the shade pegs on the sconce base with the holes in the shade frame and slide the shade into place.

**3C**



- 3 Tighten both #8-32 set screws using the provided 5/64" Allen wrench. Gently tug on the shade to verify that it is secured.

**SAVE THESE INSTRUCTIONS!**



7400 Linder Ave, Skokie, IL 60077

847.410.4400

[www.techlighting.com](http://www.techlighting.com)

© 2008 Tech Lighting, L.L.C. All rights reserved. The "Tech Lighting" graphic is a registered trademark of Tech Lighting, L.L.C. Tech Lighting reserves the right to change specifications for product improvements without notification.

A Generation Brands Company