

Boreal (Compact Fluorescent)

700WSBOR_CF 1.3



WALL COLLECTION

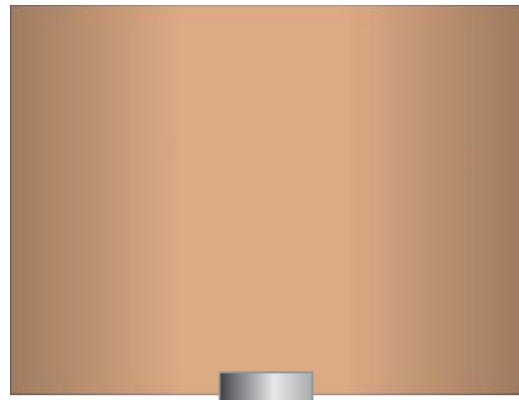
GENERAL PRODUCT INFORMATION:



This product is suitable for damp locations.

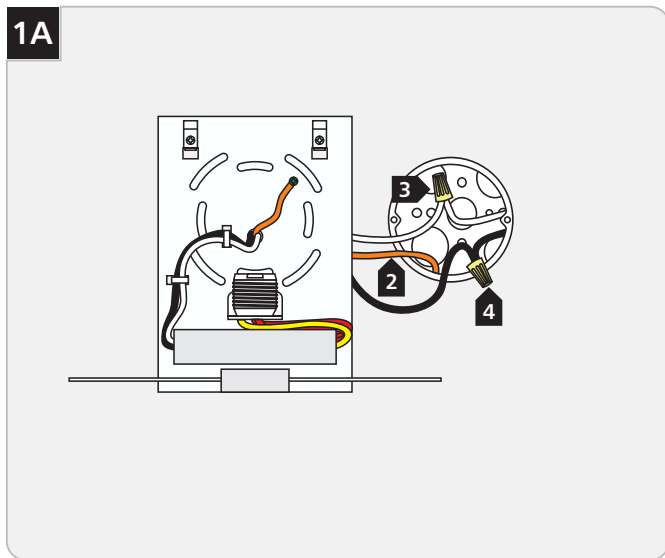
This product can mount to either a 4" square electrical box with round plaster ring or an octagon electrical box.

This product is designed to be mounted vertically, as shown.

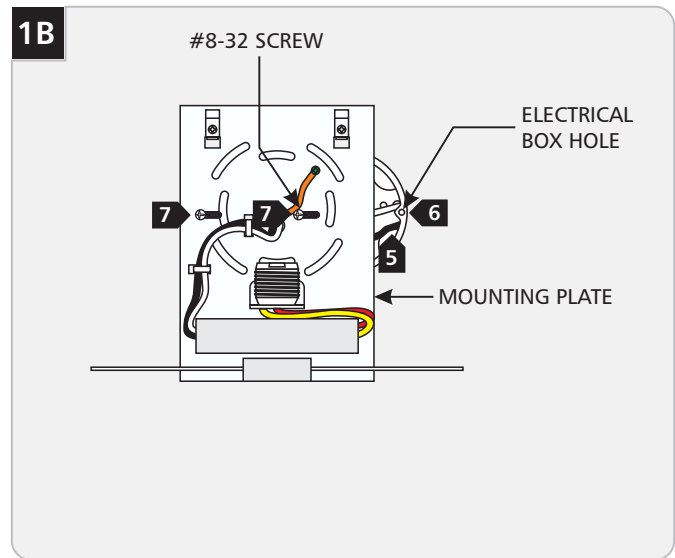


CAUTION—RISK OF FIRE
 This product requires installation by a qualified electrician. Before installing be sure to read all instructions and DISCONNECT POWER TO THE ELECTRICAL BOX.

Mount the Fixture



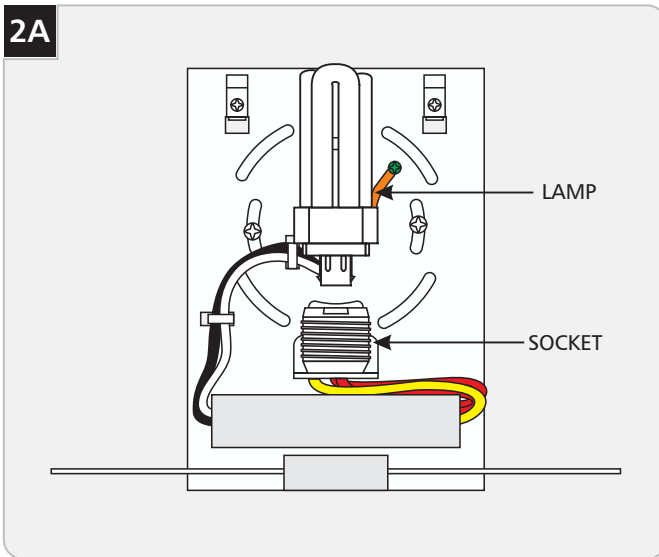
- 1 Lift the shade off of the mounting plate.
- 2 Connect the braided copper wire to a suitable ground according to local electrical codes.
- 3 Connect the white fixture wire to the neutral power line wire with a wire nut.
- 4 Connect the black fixture wire to the hot power line wire with a wire nut.



- 5 Properly place all wires and wire nut connections into the electrical box.
- 6 Line up two mounting plate slots with the two electrical box holes.
- 7 Level the mounting plate vertically and secure it to the electrical box with the two #8-32 screws.

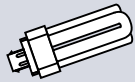
Install the Lamp

2A



CAUTION: To reduce the risk of a burn or electric shock during relamping, disconnect the power to the fixture.

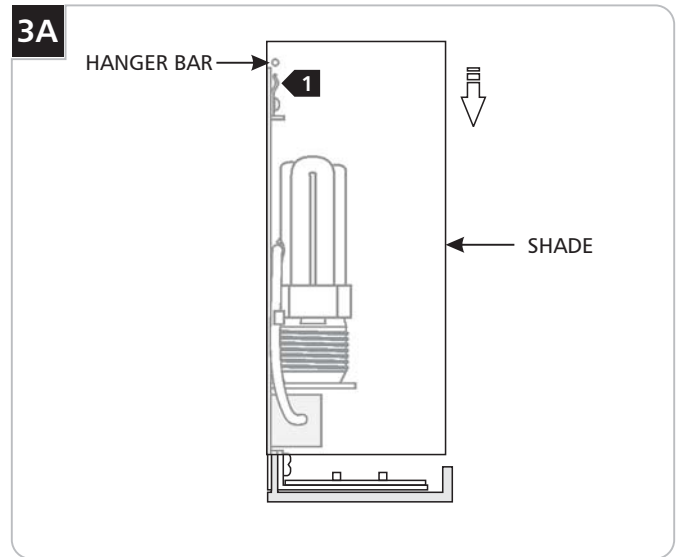
Use **MAX** 18 Watt GX24Q-2 Base Triple Tube Compact Fluorescent Lamp.



- 1 Push the lamp base into the socket.

Reinstall the Fabric Shade

3A



- 1 Carefully slide the shade onto the arm while attaching the hanger bar to the clips.

SAVE THESE INSTRUCTIONS!



TECH LIGHTING®

7400 Linder Ave, Skokie, IL 60077

847.410.4400

www.techlighting.com

© 2012 Tech Lighting, L.L.C. All rights reserved. The "Tech Lighting" graphic is a registered trademark of Tech Lighting, L.L.C. Tech Lighting reserves the right to change specifications for product improvements without notification.

A Generation Brands Company