

Ovation Sconce

700TDOVS_ 2.1



SCONCES

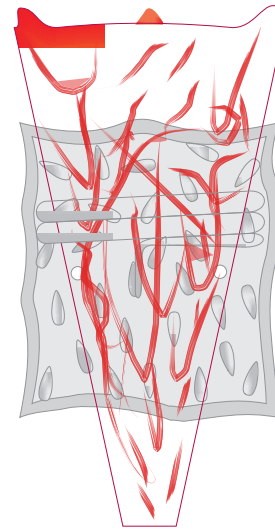
GENERAL PRODUCT INFORMATION:



This product can mount to either a 4" square electrical box with round plaster ring or an octagon electrical box.

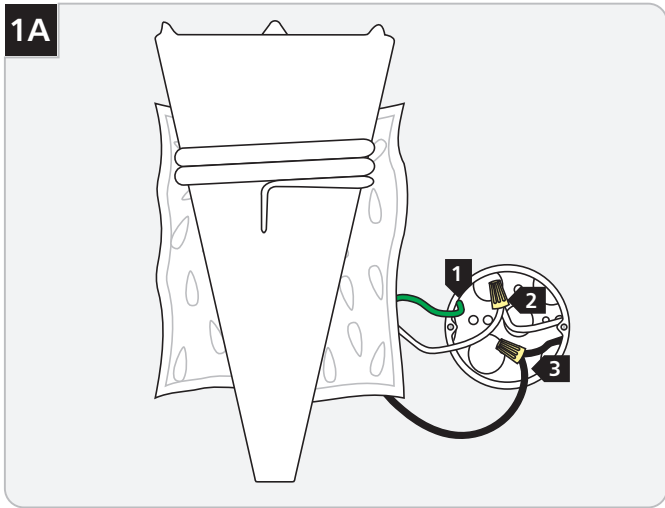
This product is suitable for damp locations.

This product can be dimmed with a standard incandescent dimmer.



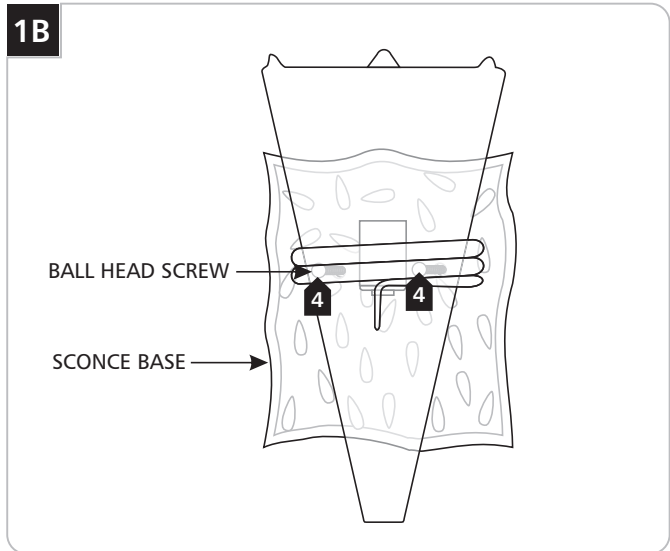
CAUTION — RISK OF FIRE
 This product requires installation by a qualified electrician. Before installing be sure to read all instructions and **TURN THE POWER TO THE ELECTRICAL BOX OFF.**

Mount the Sconce to the Electrical Box



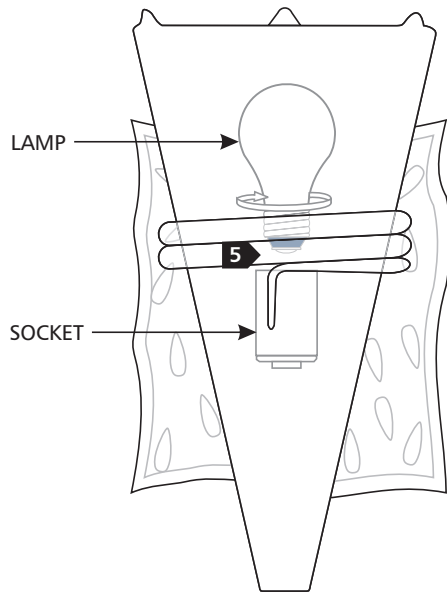
NOTE: Use the provided universal round crossbar when the sconce base holes do not line up with the electrical box holes.

- 1 Ground the fixture to the electrical box in accordance with local electrical codes.
- 2 Connect the white wire to the neutral 120 volt power line wire with a wire nut.
- 3 Connect the black wire to the hot 120 volt power line wire with a wire nut.



- 4 Line the sconce base holes with the electrical box holes and secure the plate with two ball head screws.

1C



CAUTION: To reduce the risk of a burn or electric shock during relamping, disconnect the power to the fixture by turning the wall switch off.

Use **MAX** 120 Volt, **150** Watt A21 (medium) base lamp.



A 120 Volt, **100** Watt A19 (medium) base lamp (recommended) is provided with the fixture.

5 Screw the lamp into the socket.

SAVE THESE INSTRUCTIONS!

2thousanddegrees™

7400 Linder Ave, Skokie, IL 60077
847.410.4400

www.2thousanddegrees.com

© 2008 Tech Lighting, L.L.C. All rights reserved. The "2thousand degrees" graphic is a registered trademark of 2thousand degrees. 2thousand degrees reserves the right to change specifications for product improvements without notification.

A Generation Brands Company