

Ovation Compact Fluorescent Sconce

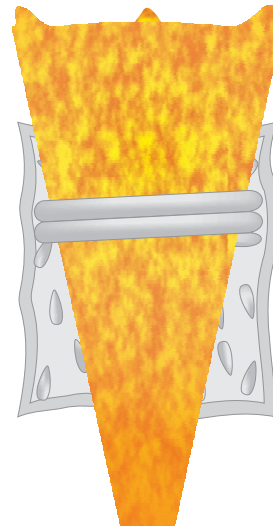
700TDOVS_-CF 1.2



GENERAL PRODUCT INFORMATION:

This product can mount to either a 4" square electrical box with round plaster ring or an octagon electrical box.

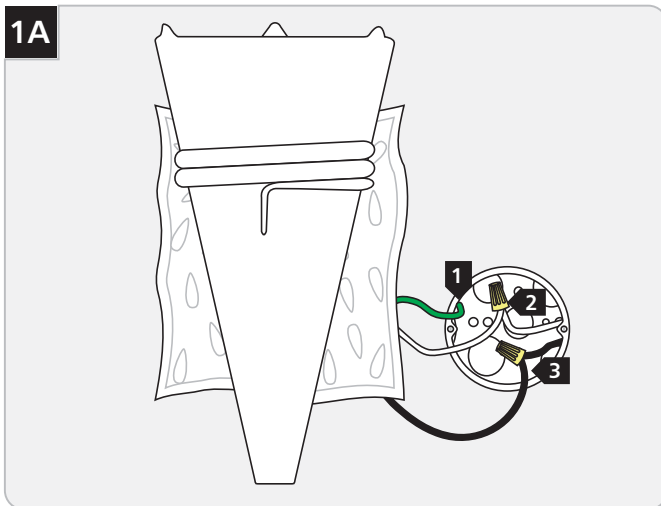
This product is suitable for damp locations.



CAUTION - RISK OF FIRE

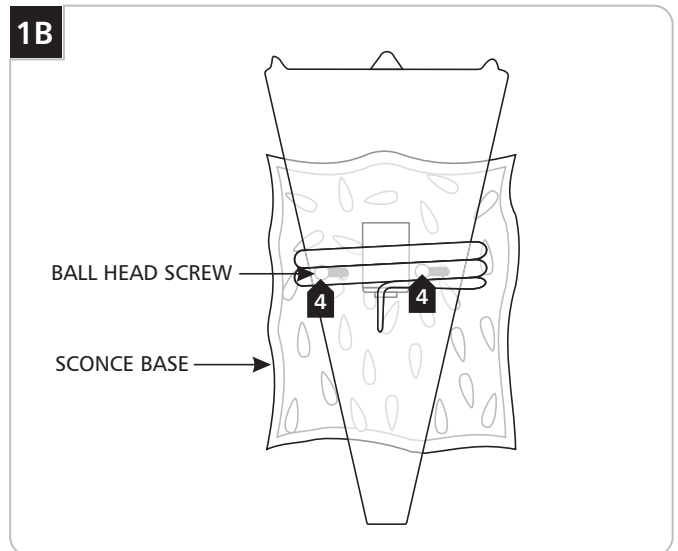
This product requires installation by a qualified electrician. Before installing be sure to read all instructions and **TURN THE POWER TO THE ELECTRICAL BOX OFF.**

Mount the Sconce to the Electrical Box



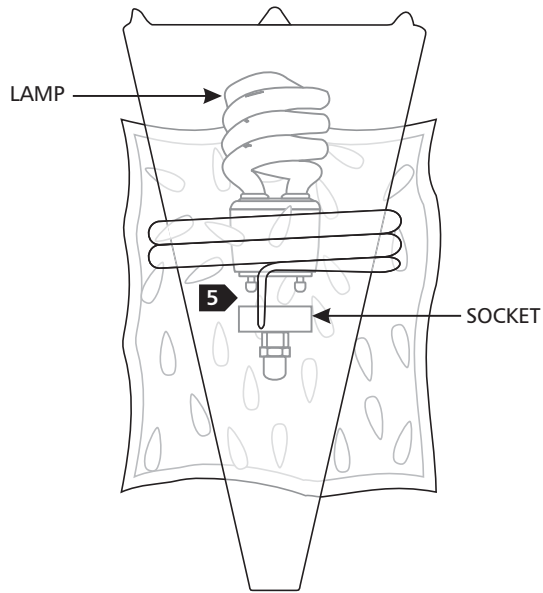
NOTE: Use the provided universal round crossbar when the sconce base holes do not line up with the electrical box holes.

- 1 Ground the fixture to the electrical box in accordance with local electrical codes.
- 2 Connect the white wire to the neutral 120 volt power line wire with a wire nut.
- 3 Connect the black wire to the hot 120 volt power line wire with a wire nut.



- 4 Line the sconce base holes with the electrical box holes and secure the plate with two ball head screws.

1C



CAUTION: To reduce the risk of a burn or electric shock during relamping, disconnect the power to the fixture by turning the wall switch off.

Use **MAX** 120 Volt, **18** Watt Type GU24 Base Self Ballasted Spiral Compact Fluorescent Lamp.



- 5 Push the lamp pins into the large portion of the socket slots and rotate it clockwise to lock it in place securely.

SAVE THESE INSTRUCTIONS!

Statement of Warranty

Tech Lighting warrants all products manufactured to be free from defects in material and workmanship under normal use for 3 years after the date of original purchase. This warranty only applies when components, including power supplies, have been provided by Tech Lighting.

Upon confirmation of a defect or failure, at our discretion we will repair or replace the item or will refund your purchase price if repair or replacement is not possible or practical. Our warranty covers only the product itself; we will assume no liability for labor costs, installation costs, or other losses.



TECH LIGHTING®

7400 Linder Ave, Skokie, IL 60077
847.410.4400

www.techlighting.com

© 2008 Tech Lighting, L.L.C. All rights reserved. The "Tech Lighting" graphic is a registered trademark of Tech Lighting, L.L.C. Tech Lighting reserves the right to change specifications for product improvements without notification.

A Generation Brands Company