

Chambers Ceiling

700TDCHAFM_

1.5



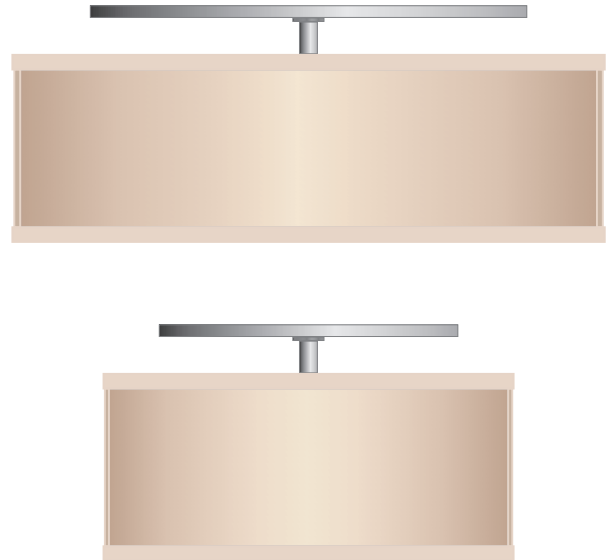
GENERAL PRODUCT INFORMATION:



This product is suitable for damp locations.

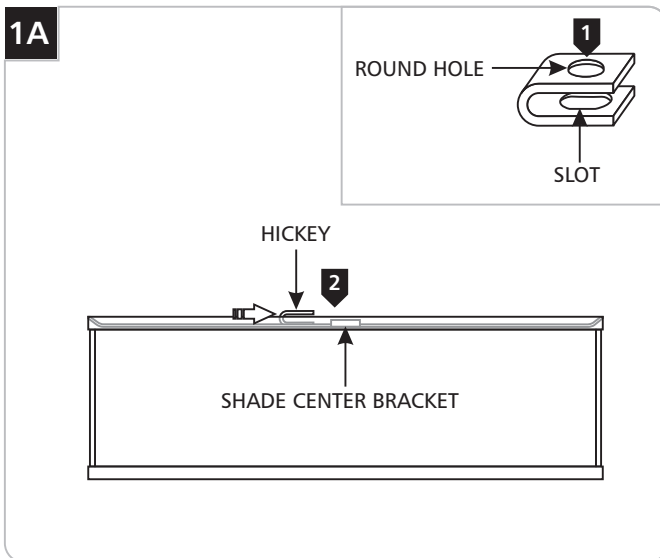
This product can be dimmed with a standard incandescent dimmer.

This instruction shows a typical installation.

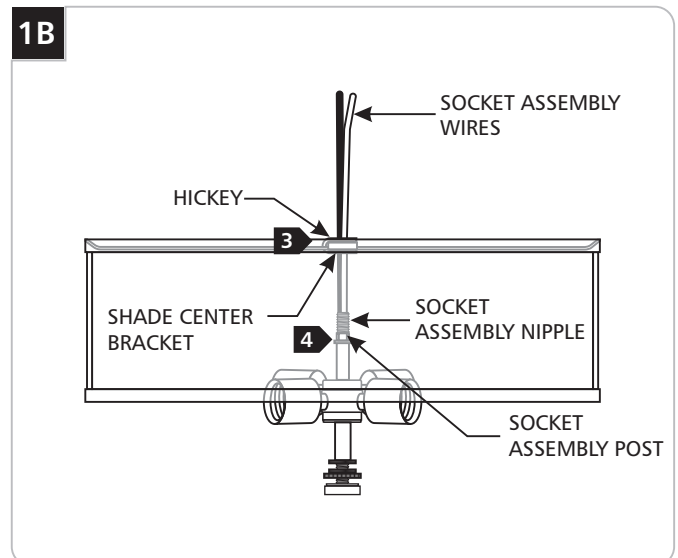


Installing the Fixture

CAUTION: To reduce the risk of a burn or electric shock during relamping, disconnect the power to the fixture.

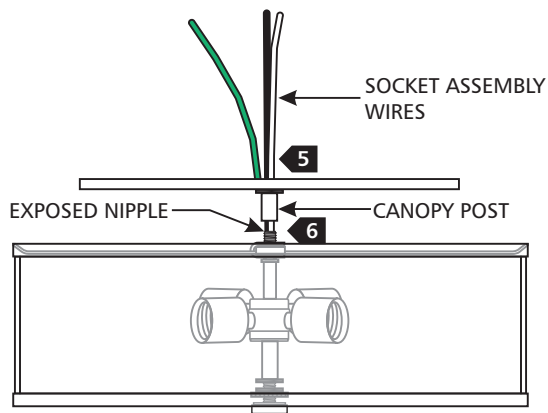


- 1 Align the hickey with the shade center bracket so that the round hole faces up.
- 2 Slide the hickey onto the shade center bracket.



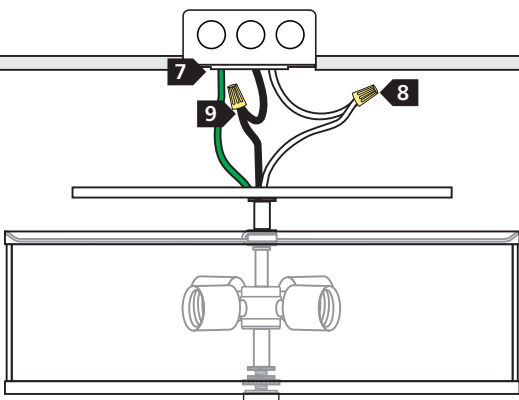
- 3 Feed the socket assembly wires through the hickey slot, shade center bracket hole, and hickey round hole respectively.
- 4 Line up the flat portion of the socket assembly post with the hickey slot and push the socket assembly completely into the hickey.

1C



- 5 Feed the socket assembly wires through the canopy post.
- 6 Rotate the canopy clockwise to tighten the canopy post completely to the exposed nipple.

1D

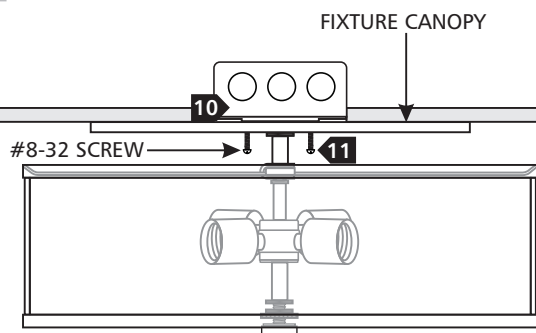


NOTE: Use the provided universal round crossbar when the canopy holes do not line up with the electrical box holes.

NOTE: It is recommended that one person hold the chandelier while the electrician connects the power and installs the canopy cover.

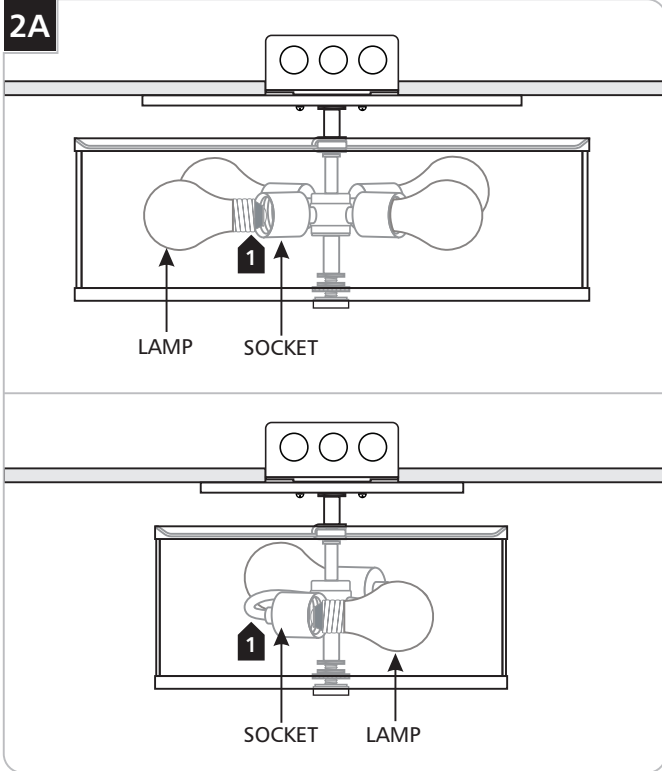
- 7 Make sure fixture canopy is grounded in accordance with local electrical codes.
- 8 Connect the fixture white wire to the neutral power line wire with a wire nut.
- 9 Connect the fixture black wire to the hot power line wire with a wire nut.

1E



- 10 Place all wires and wire nut connections inside the electrical box.
- 11 Mount the fixture canopy to the electrical box with the provided two #8-32 screws.

Installing the Lamps & Glass Disk

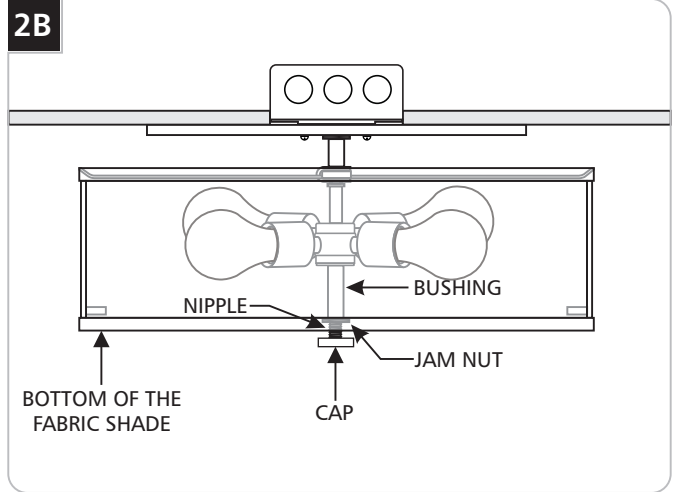


CAUTION: To reduce the risk of a burn or electric shock during relamping, disconnect the power to the fixture.

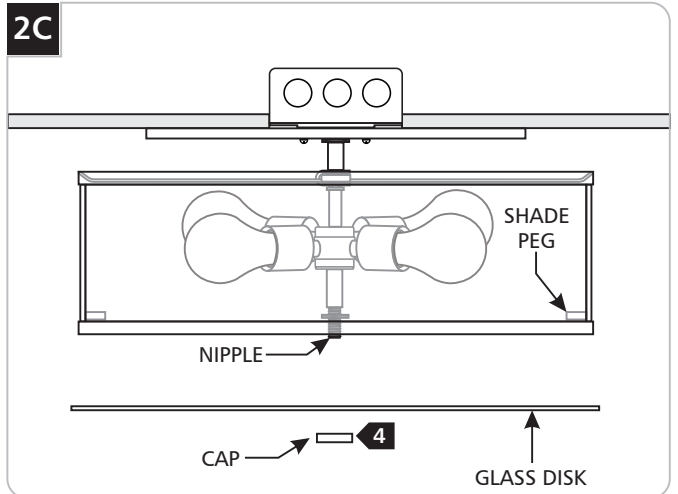
Use **MAX** 120 Volt, 75 Watt A19 (medium) base lamp with each socket.



- 1 Screw the lamps into the sockets.



- 2 Loosen the knurled nut and adjust the nipple height so the back of the cap is level with bottom of the shade.
- 3 Tighten the jam nut firmly against the bushing.



- 4 Remove the cap.
- 5 Place the glass disk onto the nipple and secure it against the shade pegs with the cap.

NOTE: Do not over tighten the cap. Overtightening may break the glass and result in injury.

SAVE THESE INSTRUCTIONS!



7400 Linder Ave, Skokie, IL 60077
847.410.4400

www.techlighting.com

© 2008 Tech Lighting, L.L.C. All rights reserved. The "Tech Lighting" graphic is a registered trademark of Tech Lighting, L.L.C. Tech Lighting reserves the right to change specifications for product improvements without notification.
A Generation Brands Company