

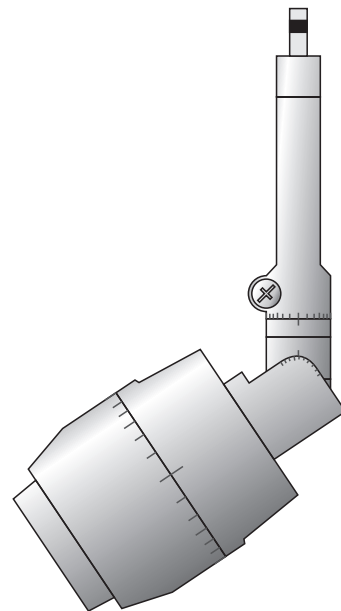


HEADS-LOW VOLTAGE

GENERAL PRODUCT INFORMATION:

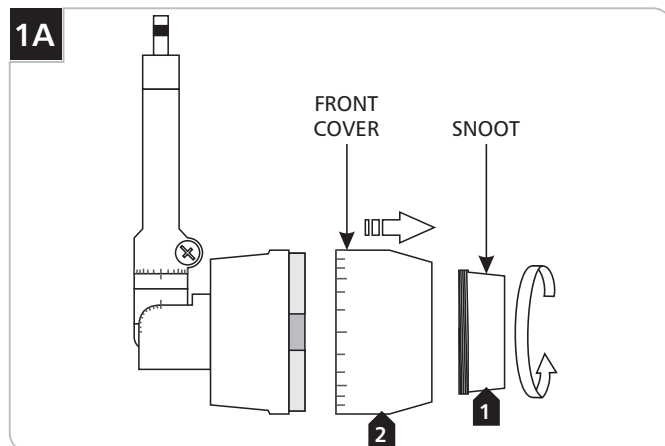


This product is ETL listed and suitable only for indoor dry locations and approved for use at any height above the finished floor.

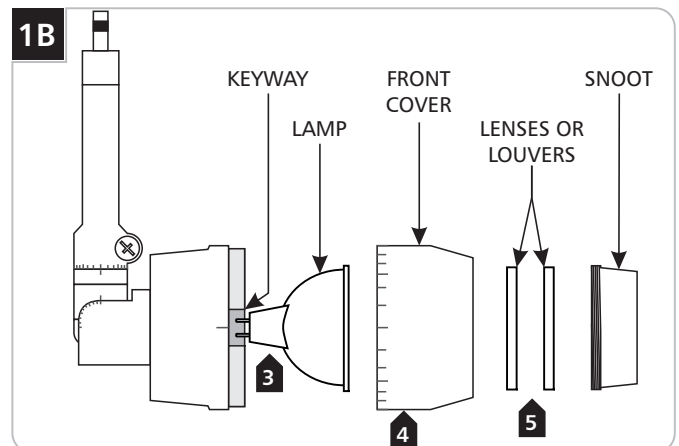


CAUTION: To reduce the risk of a burn or electric shock during relamping, disconnect the power to the fixture.

Install the Lamp and Lenses



- 1 ➤ Unscrew the snoot from the front cover.
- 2 ➤ Pull the front cover off the head.



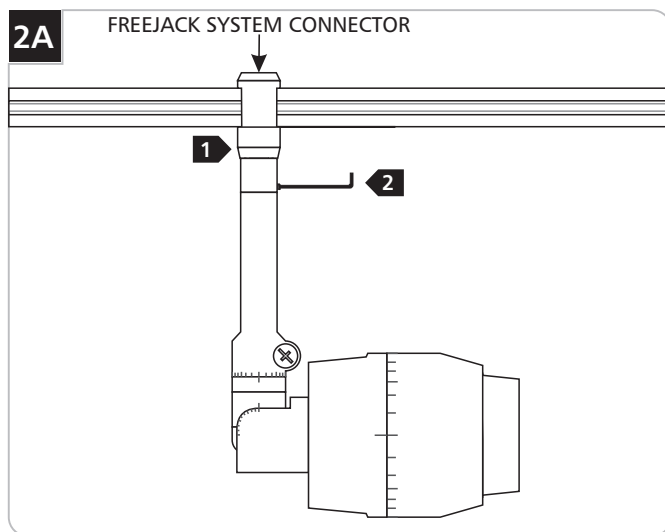
NOTE: Use only your fingers and a soft cloth to replace the lamp.

Use **MAX 50 Watt** type MR16 front cover halogen lamp.

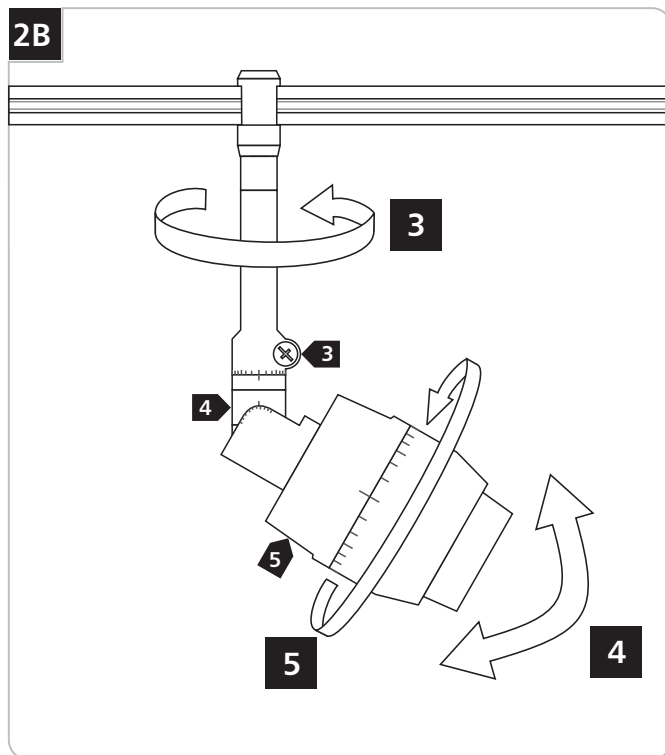


- 3 ➤ Push the lamp base into the socket.
- 4 ➤ Line up the key in the front cover with the keyway on the head and push the front cover back on.
- 5 ➤ Place up to two lenses or louvers into the front cover and screw in the snoot to hold them in place.

Install and Aim the Head



- 1 Follow the instructions provided with the lighting system to attach the Envision head to the FreeJack connector (MonoRail system shown).
- 2 Tighten the set screw at the connector end of the head.



- 3 To rotate the head about the stem axis, turn the screw on the side of the stem with a screwdriver.
- 4 To tilt the head up or down, turn the screw at the bottom of the stem with a screwdriver.
- 5 To rotate the head about the lamp axis, push in and turn the screw head at the bottom of the head.

IMPORTANT SAFETY INSTRUCTIONS

To reduce the risk of fire, electrical shock, exposure to excessive UV radiation, or injury to person:

- Use this fixture indoors only.
- Do not look directly at the lighted lamp.
- Do not remain in light if skin feels warm.
- Risk of fire: Use only the type of lamp and maximum wattage indicated in this instruction manual.
- Never cover the halogen lamp with anything other than a Tech Lighting lamp shield and never place flammable material close to your fixture.
- Do not touch the fixture shades or lamp shield while the fixture is on. These surfaces may be HOT.
- To avoid glare in child's eyes, hang the fixture at least 18" above a table.

Halogen Lamp General Information

- It is normal for a new halogen lamp to smoke slightly on first use. The protective coating is being vaporized.

Prolonging Halogen Lamp Life

- Do not touch the lamp with bare hands. Any contaminant, even the oil from your hands can deteriorate the lamp. Handle the lamp with a soft, clean cloth. Rubbing alcohol can be used to remove any contaminant from the lamp.
- Do not run the lamps at full power when you do not need to. However, if dimming the fixture for an extended period of time, occasionally bring the light up to full brightness for a few minutes to complete the halogen cycle.

SAVE THESE INSTRUCTIONS!



TECH LIGHTING®

7400 Linder Ave, Skokie, IL 60077
847.410.4400

www.techlighting.com

© 2008 Tech Lighting, L.L.C. All rights reserved. The "Tech Lighting" graphic is a registered trademark of Tech Lighting, L.L.C. Tech Lighting reserves the right to change specifications for product improvements without notification.
A Generation Brands Company