

# Siber Mirror Recessed (Fluorescent)

700BCSIBR\_-CF\_

1.0



## GENERAL PRODUCT INFORMATION:

This product is suitable for damp locations.



The wall cavity where the Siber Mirror will be installed must be a minimum of 3.5" deep. Some modification to the studs may be required.

Bring power supply lines to the mirror in accordance with local electrical codes.

Metal bar expansion range is 24" - 42".

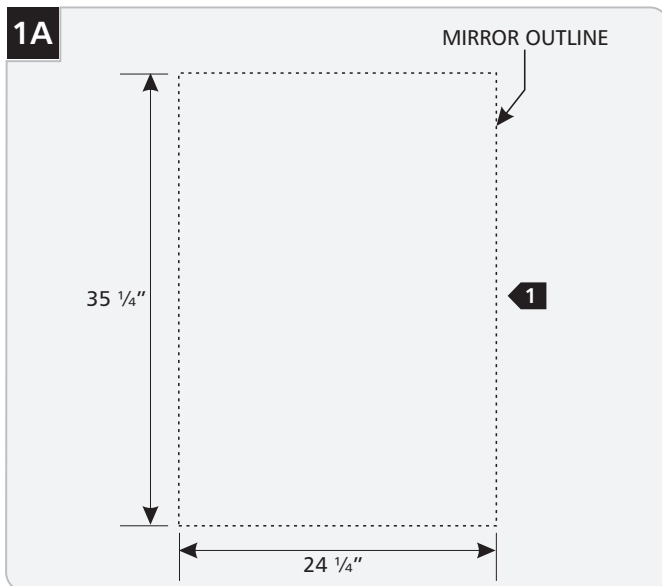
This instruction shows a typical installation.



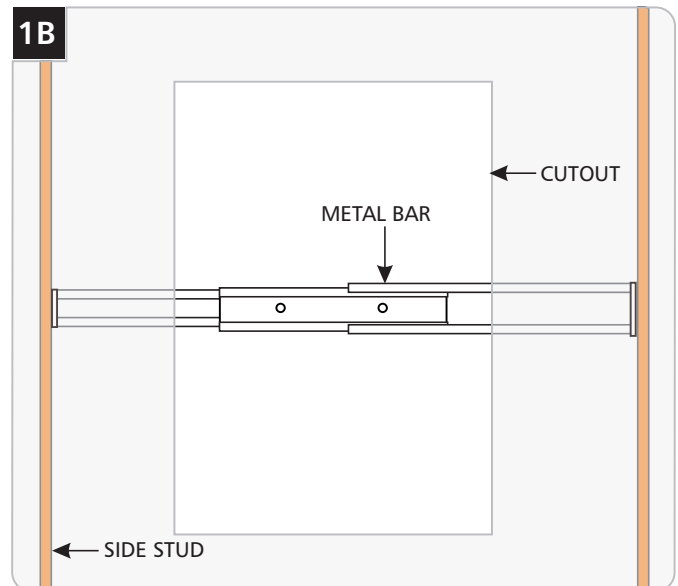
### CAUTION—RISK OF FIRE

This product requires installation by a qualified electrician. Before installing be sure to read all instructions and **DISCONNECT POWER TO THE ELECTRICAL BOX.**

## Install the Hardware

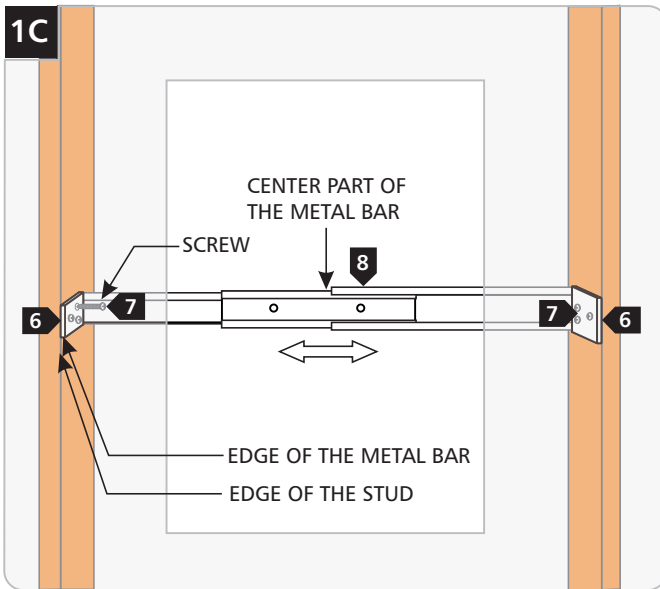


- 1** Use the provided template to mark a 24<sup>1</sup>/<sub>4</sub>"x35<sup>1</sup>/<sub>4</sub>" rectangle on the wall. **Make sure the template is level!**
- 2** Cut out the marked outline on the wall.
- 3** If required, make any necessary modifications to the wall studs.

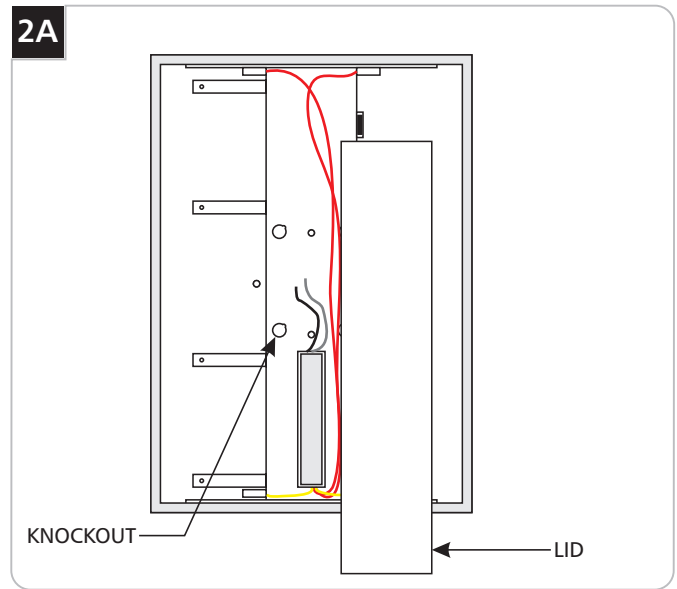


- 4** Place the metal bar in the center of the cutout.
- 5** Extend the metal bar (maximum 42") so that the ends touch the side studs.

## Prepare the Fixture for Installation

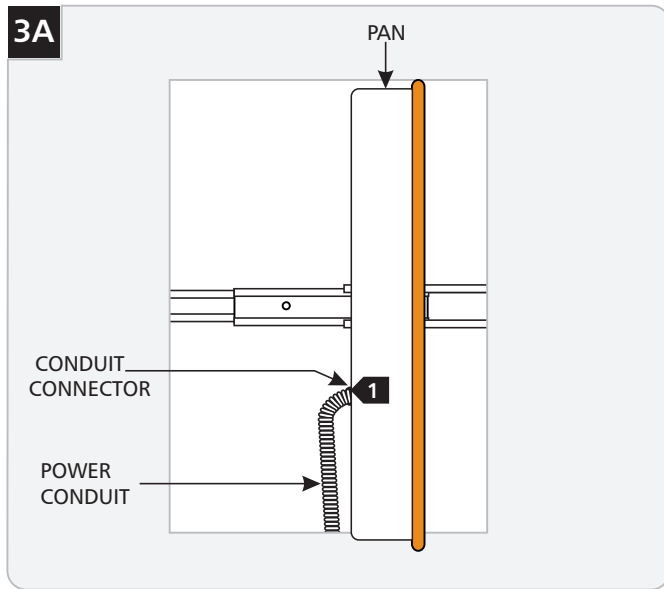


- 6** Line up the edge of the metal bar with the edge of the stud (where drywall is attached to) on each side.
- 7** Secure the metal bar to the studs with the six screws provided.
- 8** Center the metal bar horizontally by sliding the center part sideways.

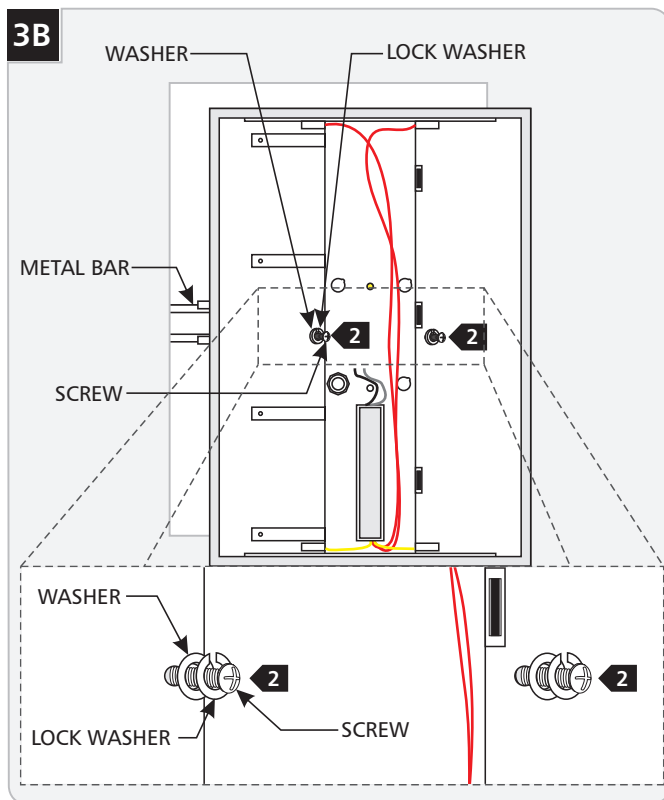


- 1** Remove the six screws on side of the center housing in the center of the pan.
- 2** Remove the center housing lid.
- 3** Remove one knockout and install the provided conduit connector.

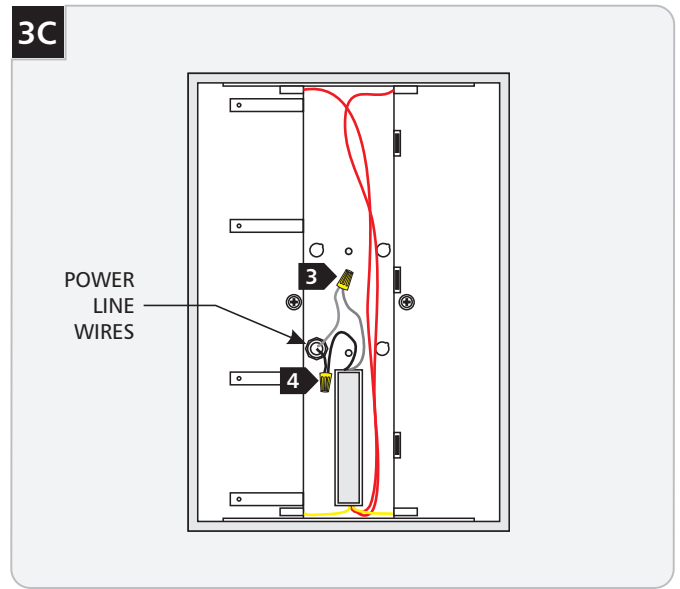
## Connect Power & Install the Pan



**1** Connect the power line conduit to the connector.



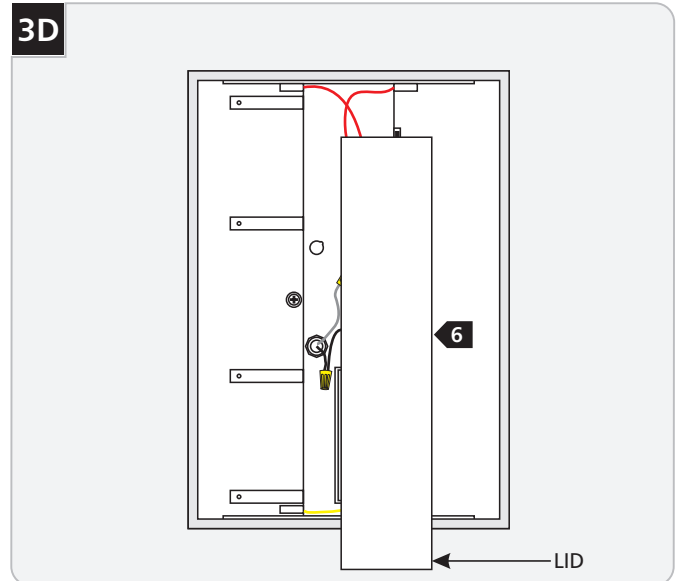
**2** Mount the pan to the metal bar with the washers, lock washers and screws provided.



**3** Connect the neutral power line wire to the white fixture wire with a wire nut.

**4** Connect the hot power line wire to the black fixture wire with a wire nut.

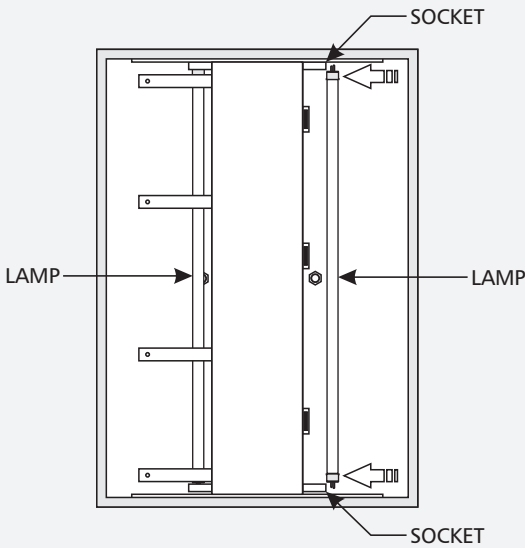
**5** Connect the fixture to a suitable ground in accordance with local electrical codes.



**6** Replace the lid onto the center housing and tighten the screws.

## Install the Lamps and Mirror

4A



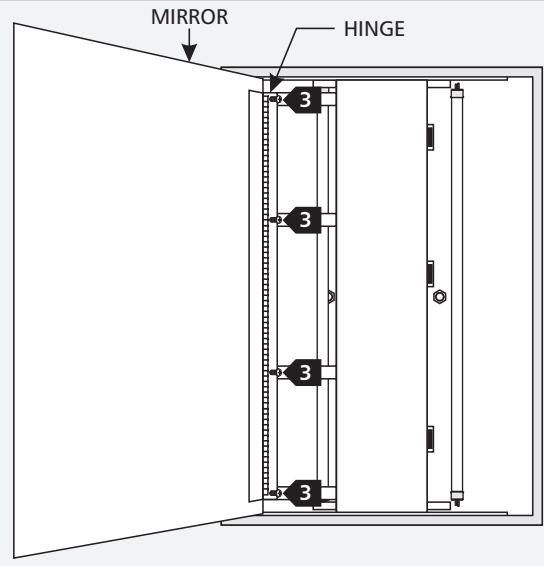
Use **Max 39 Watt** type T5 high output linear fluorescent lamp in each socket.



**NOTE:** Use only your fingers to replace the lamp.

- 1 Line up the lamp pins on both ends with the opening on the sockets.
- 2 Insert the pins all the way into the sockets and rotate the lamp to lock it in place.

4B



- 3 Carefully attach the mirror hinge onto the fixture and tighten all four screws.

**SAVE THESE INSTRUCTIONS!**



**TECH LIGHTING®**

7400 Linder Ave, Skokie, IL 60077

847.410.4400

[www.techlighting.com](http://www.techlighting.com)

© 2008 Tech Lighting, L.L.C. All rights reserved. The "Tech Lighting" graphic is a registered trademark of Tech Lighting, L.L.C. Tech Lighting reserves the right to change specifications for product improvements without notification.

A Generation Brands Company