



GENERAL PRODUCT INFORMATION:

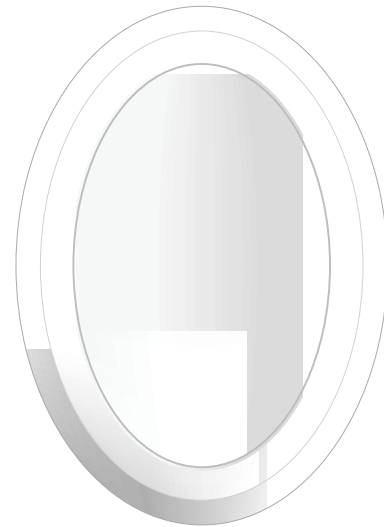


This product is suitable for indoor locations only.

This product can be dimmed with a standard incandescent dimmer.

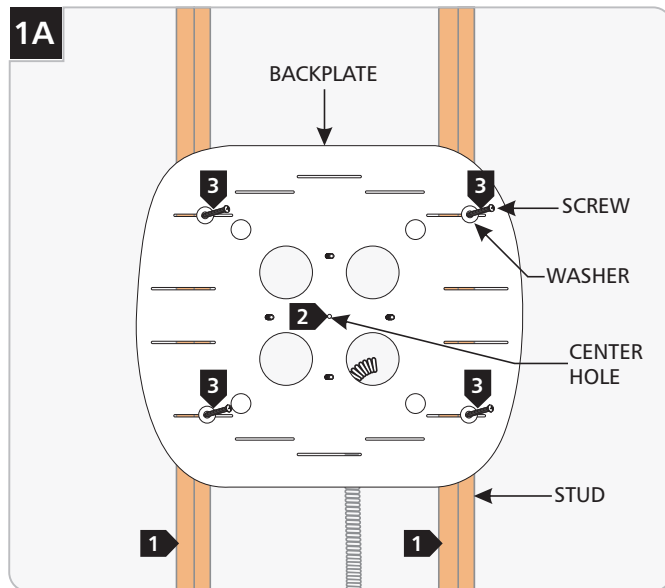
Bring 120 Volt power supply to the mirror in accordance with local electrical codes.

This instruction shows a typical installation.

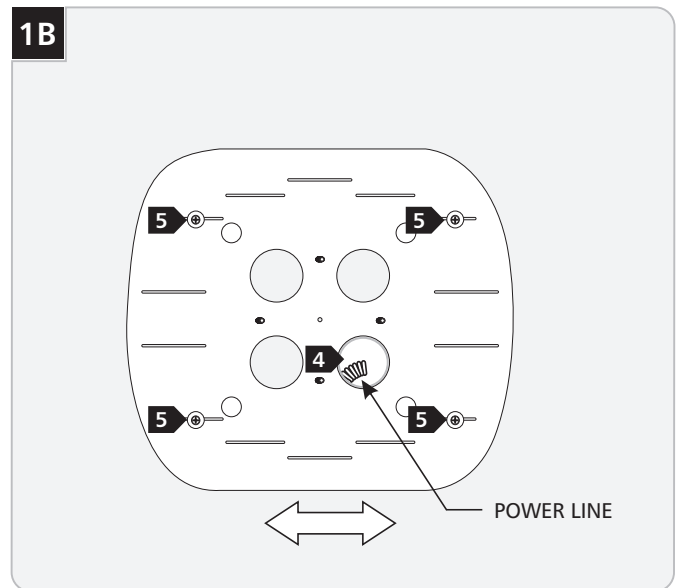


CAUTION—RISK OF FIRE
 This product requires installation by a qualified electrician. Before installing be sure to read all instructions and **TURN THE POWER TO THE ELECTRICAL BOX OFF.**

Install the Hardware

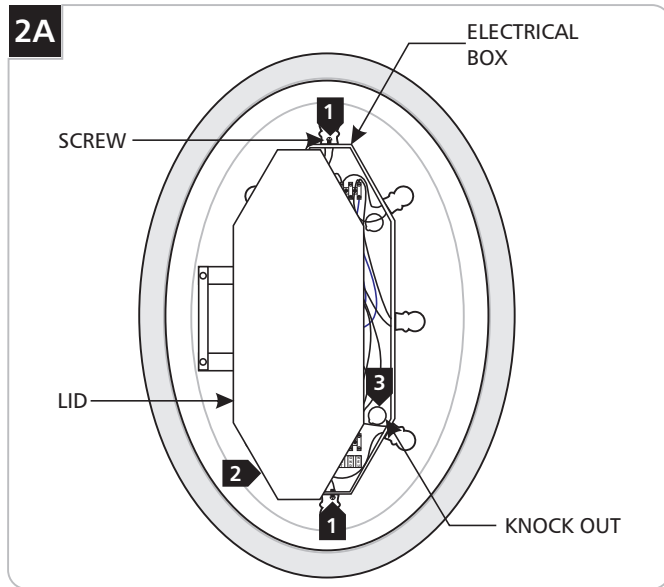


- 1** Locate the studs on the wall where the mirror is going to be mounted (Max 22-1/2" separation).
- 2** If necessary, use the center hole on the backplate to position the backplate on the wall.
- 3** Use minimum of four slots to mount the backplate to the studs with four screws and washers provided. Do not drive the screws all the way in at this time.

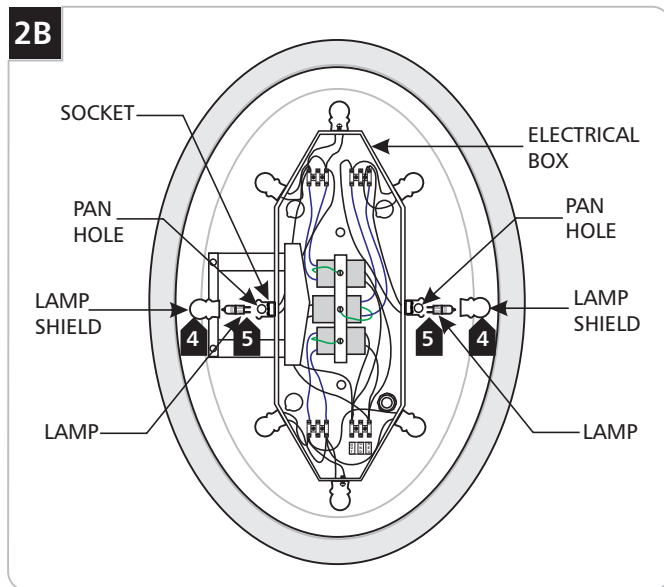


- 4** Bring the power line to one of the four circular holes on the backplate.
- 5** While holding the backplate level and in the desired position, tighten the four screws to secure it.

Prepare the Mirror for Installation

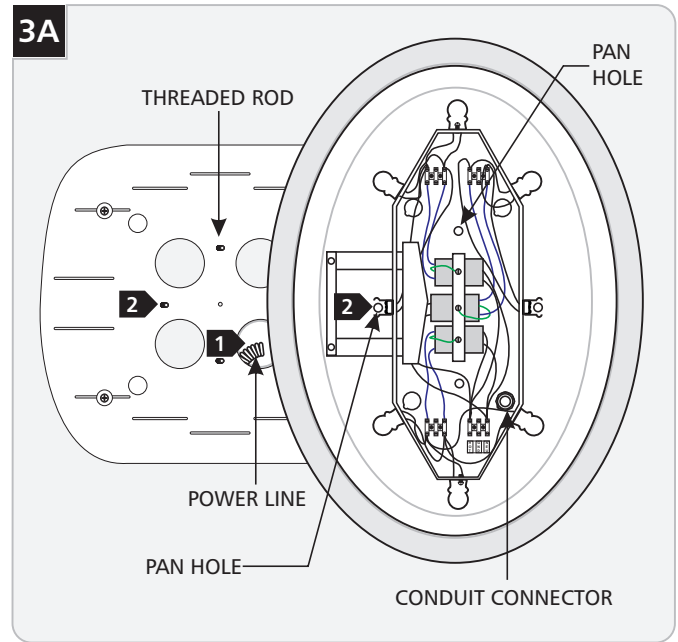


- 1** Loosen (**DO NOT REMOVE**) the two screws on top and bottom of the electrical box in the center of the pan.
- 2** Remove the electrical box lid.
- 3** Remove the proper knock out and install the provided conduit connector.

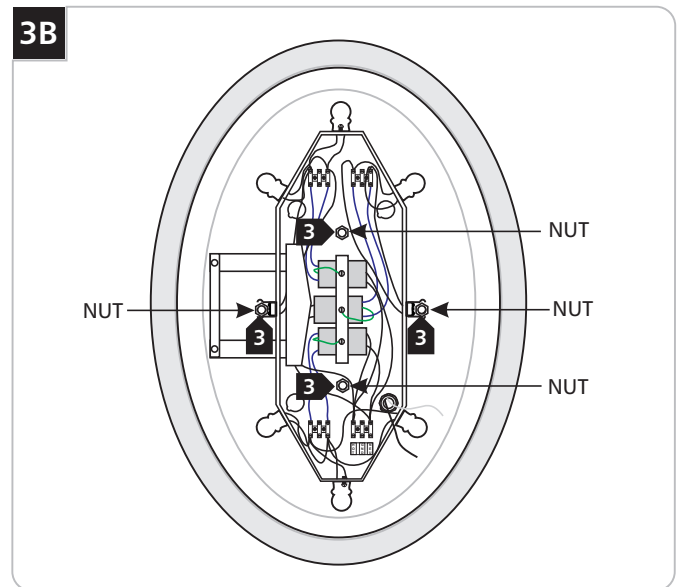


- 4** On the left and right side of the electrical box pull out the lamp shields.
- 5** Handle the lamp with a soft cloth to prevent the natural oils on the fingertips from collecting on the lamp. Pull the lamps out. This will clear the two side pan holes for installation.

Install the Pan

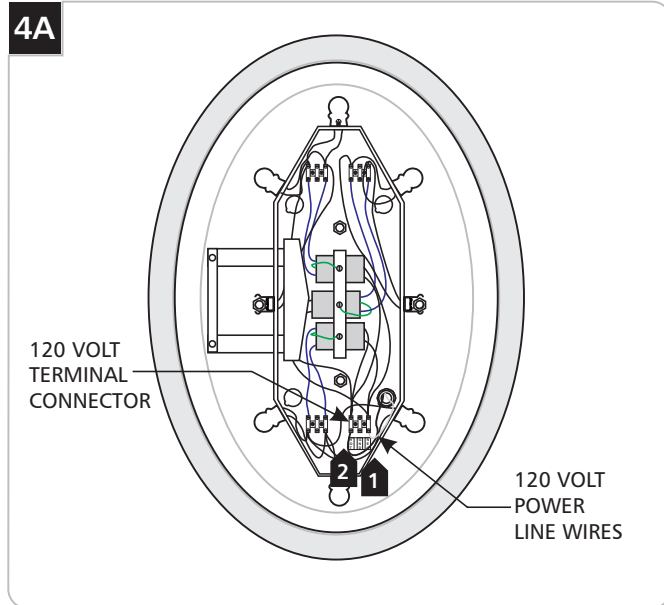


- 1** Feed the power line wire through the conduit connector into the pan.
- 2** Place the four pan holes onto the four backplate threaded rods.



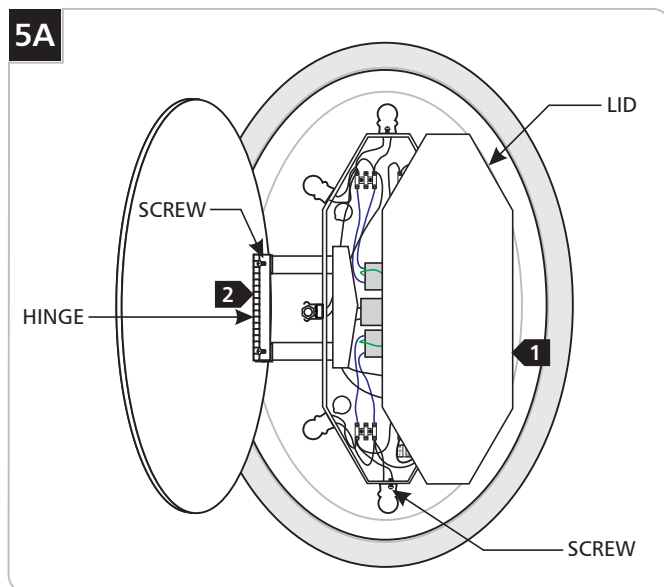
- 3** Tighten the four provided nuts to secure the pan onto the backplate.
- 4** Refer to "Replace the Lamps" on page 3 to replace the lamps and the lamp shields.

Connect the Power



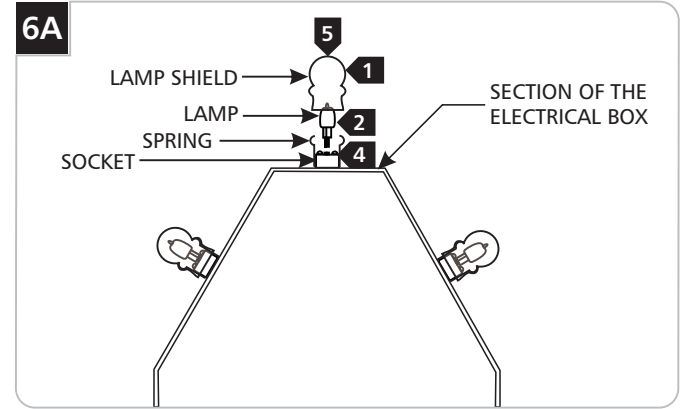
- 1 Insert the neutral 120 volt power line wire to the 120 volt terminal connector marked "NEU". Tighten the screw.
- 2 Insert the hot 120 volt power line wire to the 120 volt terminal connector marked "HOT". Tighten the screw.
- 3 In accordance with local electrical codes connect the ground.

Attach the Lid & Mirror

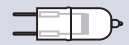


- 1 Replace the lid onto the electrical box and tighten the two screws.
- 2 Carefully attach the mirror onto the hinge and tighten the two screws.

Replacing the Lamps



Use **Max 20** Watt Bi-Pin Halogen lamp for each socket.



NOTE: Use only your fingers and a soft cloth to replace the lamp.

- 1 Pull out the lamp shield.
- 2 Pull out the old lamp.
- 3 Handle the new replacement lamp with a soft cloth to prevent the natural oils on the fingertips from collecting on the lamp. This will help extend the life of the lamp.
- 4 Push the new lamp pins firmly all the way into the socket holes.
- 5 Push the lamp shield onto the spring clip.

IMPORTANT SAFETY INSTRUCTIONS

To reduce the risk of fire, electrical shock, exposure to excessive UV radiation, or injury to person:

- Use this fixture indoors only.
- Do not look directly at the lighted lamp.
- Do not remain in light if skin feels warm.
- Risk of fire: Use only the type of lamp and maximum wattage indicated in this instruction manual.
- Never cover the halogen lamp with anything other than a Tech Lighting lamp shield and never place flammable material close to your fixture.
- Never turn the fixture on and off by connecting and disconnecting the halogen lamp.
- Do not touch the fixture shades or lamp shield while the fixture is on. These surfaces may be HOT.

Halogen Lamp General Information

- A new halogen lamp may smoke slightly when it is used for the first time. This is perfectly normal; the protective coating is simply being vaporized.

Two Tips For Prolonging Halogen Lamp Life

- First avoid touching the lamp with bare hands during installation. Any contaminant, even the oil from your hands can deteriorate the lamp. Rubbing alcohol can be used to remove any contaminant.
- Second, do not run the lamps at full power when you do not need to. However, if dimming the fixture for an extended period of time, occasionally bring the light up to full brightness for a few minutes to complete the halogen cycle.

SAVE THESE INSTRUCTIONS!



TECH LIGHTING®

7400 Linder Ave, Skokie, IL 60077
847.410.4400

www.techlighting.com

© 2008 Tech Lighting, L.L.C. All rights reserved. The "Tech Lighting" graphic is a registered trademark of Tech Lighting, L.L.C. Tech Lighting reserves the right to change specifications for product improvements without notification.

A Generation Brands Company