



**GENERAL PRODUCT INFORMATION:**

This product is suitable for damp locations.



This product is dimmable with a standard incandescent dimmer.

Bring power supply lines to the mirror in accordance with local electrical codes.

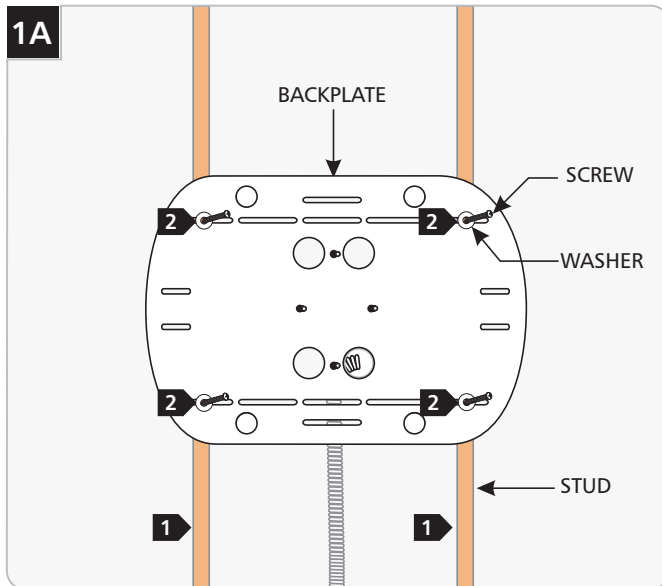
This instruction shows a typical installation.



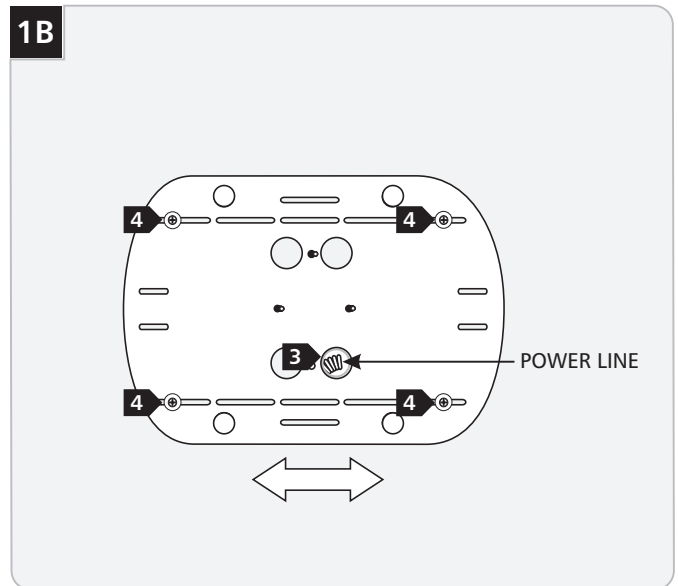
**CAUTION—RISK OF FIRE**

This product requires installation by a qualified electrician. Before installing be sure to read all instructions and **DISCONNECT POWER TO THE ELECTRICAL BOX.**

**Install the Hardware**

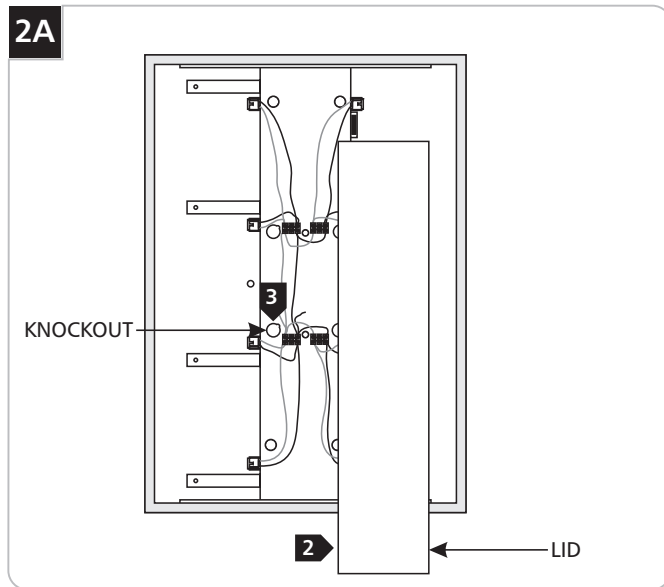


- 1** Locate the studs on the wall where the mirror is going to be mounted (Max 28-1/4" separation).
- 2** Use minimum of four slots to mount the back plate to the studs with four screws and washers provided. Do not drive the screws all the way in at this time.



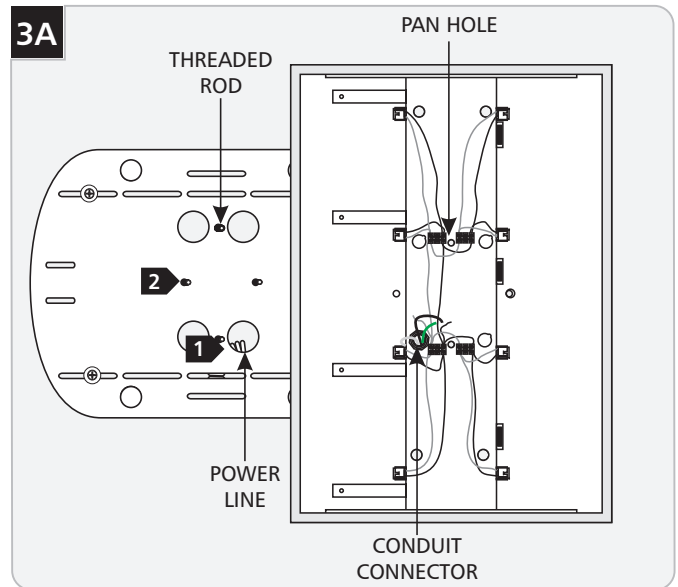
- 3** Bring the power line to one of the four circular holes on the backplate.
- 4** While holding the back plate level and in the desired position, tighten the four screws to secure it.

## Prepare the Fixture for Installation

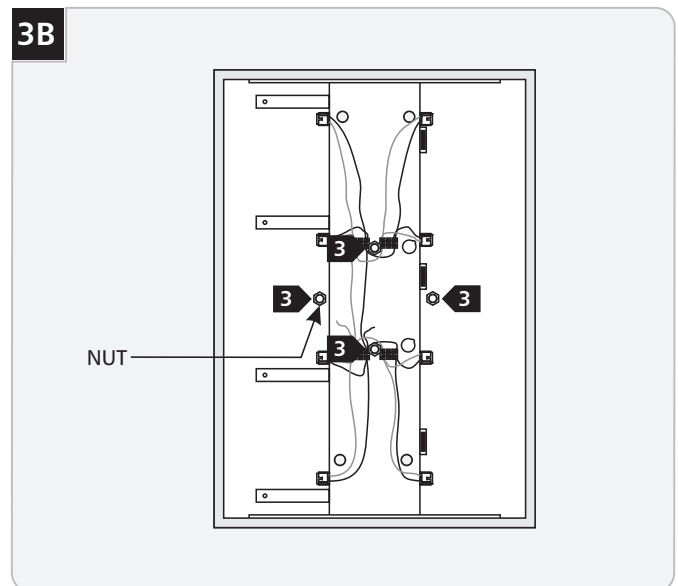


- 1 Remove the six screws on side of the center housing in the center of the pan.
- 2 Remove the center housing lid.
- 3 Remove one knockout and install the provided conduit connector.

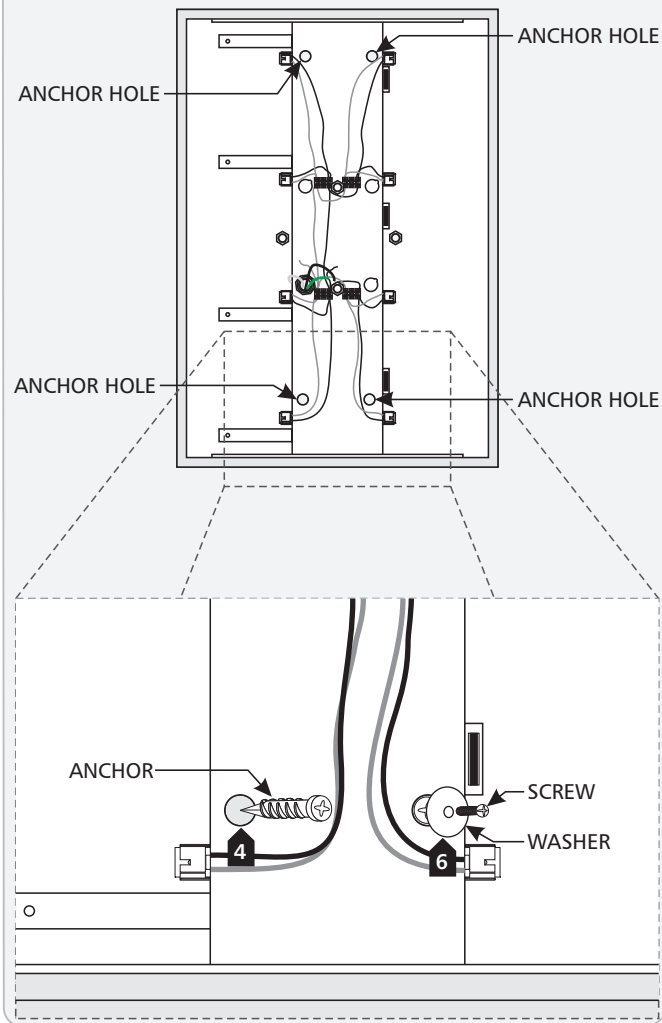
## Install the Fixture



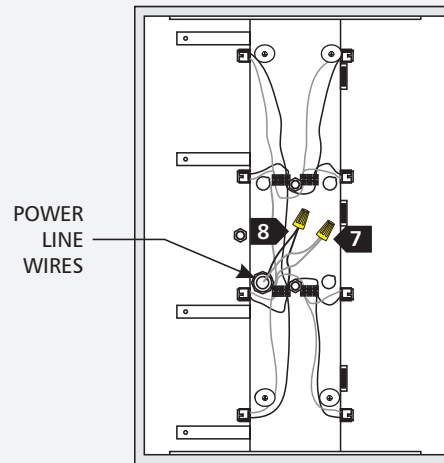
- 1 Feed the power line wire through the conduit connector into the pan.
- 2 Place the four pan holes onto the four back plate threaded rods.



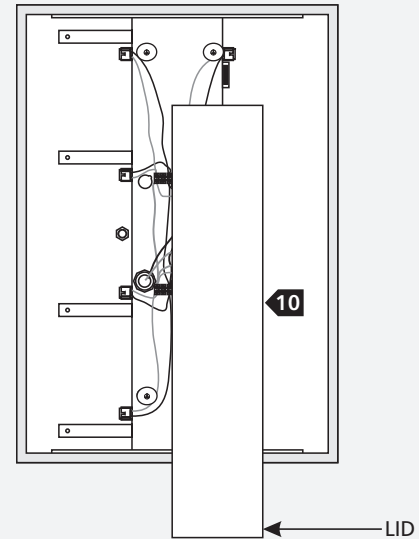
- 3 Mount the pan to the backplate with the provided washers, lock washers and nuts.

**3C**

- 4** Line up each anchor with the center of a backplate hole and push the anchor in up to the threads.
- 5** Screw the anchors the rest of the way in with a screwdriver.
- 6** Secure the backplate to the anchors with the screws and washers provided.

**3D**

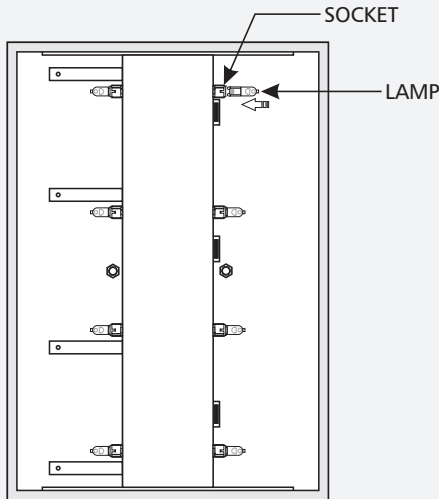
- 7** Connect the neutral power line wire to the white fixture wire with a wire nut.
- 8** Connect the hot power line wire to the black fixture wire with a wire nut.
- 9** Connect the fixture to a suitable ground in accordance with local electrical codes.

**3E**

- 10** Replace the lid onto the center housing and tighten the screws.

## Install the Lamps and Mirror

4A



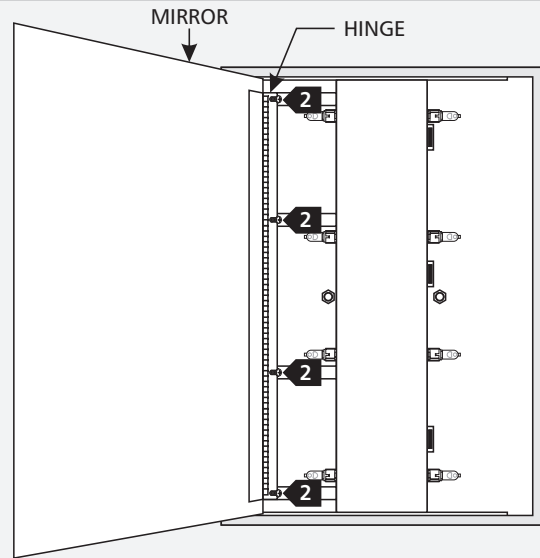
**NOTE:** Handle the lamps only your fingers and a soft cloth.

Use **MAX** 120 Volt, **40 Watt** type T4, G9 base bi-pin halogen lamp in each socket.



**1** Push the lamp base into the socket.

4B



**2** Carefully attach the mirror hinge onto the fixture and tighten all four screws.

**SAVE THESE INSTRUCTIONS!**



**TECH LIGHTING®**

7400 Linder Ave, Skokie, IL 60077

847.410.4400

[www.techlighting.com](http://www.techlighting.com)

© 2008 Tech Lighting, L.L.C. All rights reserved. The "Tech Lighting" graphic is a registered trademark of Tech Lighting, L.L.C. Tech Lighting reserves the right to change specifications for product improvements without notification.

A Generation Brands Company